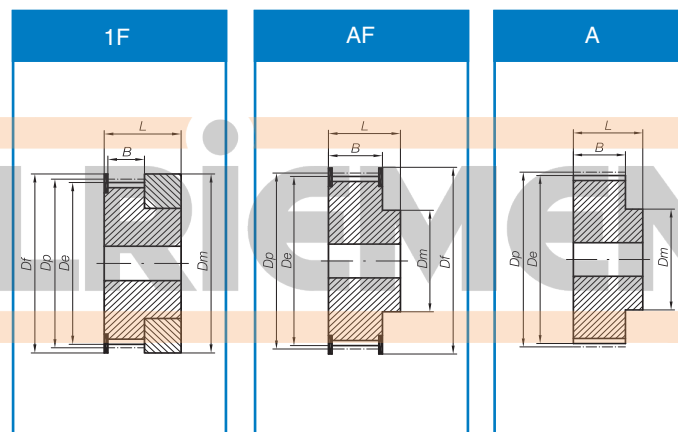


Metric Timing Pilot Bore

T2.5 Pitch = 2.5mm Belt Width = 6mm

Code	Teeth	Type	Dp	De	Df	Dm	B	L	Material
12 - T2.5 - 6	12	1F	9.55	9.03	13.0	13	9	16	AL
14 - T2.5 - 6	14	1F	11.14	10.62	15.0	15	9	16	AL
15 - T2.5 - 6	15	1F	11.94	11.40	15.0	15	9	16	AL
16 - T2.5 - 6	16	1F	12.73	11.21	16.0	16	9	16	AL
18 - T2.5 - 6	18	AF	14.32	13.80	17.5	10	10	16	AL
19 - T2.5 - 6	19	AF	15.12	14.60	20.0	10	10	16	AL
20 - T2.5 - 6	20	AF	15.92	15.40	20.0	11	10	16	AL
22 - T2.5 - 6	22	AF	17.51	16.99	22.0	11	10	16	AL
24 - T2.5 - 6	24	AF	19.10	18.58	22.0	12	10	16	AL
25 - T2.5 - 6	25	AF	19.89	19.37	23.0	13	10	16	AL
26 - T2.5 - 6	26	AF	20.69	20.17	26.0	14	10	16	AL
28 - T2.5 - 6	28	AF	22.28	21.76	26.0	14	10	16	AL
30 - T2.5 - 6	30	AF	23.87	23.35	28.0	16	10	16	AL
32 - T2.5 - 6	32	AF	25.46	24.95	32.0	16	11	16	AL
36 - T2.5 - 6	36	AF	28.65	28.13	36.0	20	10	16	AL
40 - T2.5 - 6	40	AF	31.83	31.31	38.0	22	10	16	AL
44 - T2.5 - 6	44	A	35.01	34.50	-	24	10	16	AL
48 - T2.5 - 6	48	A	38.20	37.68	-	26	10	16	AL
60 - T2.5 - 6	60	A	47.75	47.23	-	34	10	16	AL



Material
 AL = Aluminium
 CI* = Cast iron
 S = Steel

T5 Pitch = 5mm Belt Width = 10mm

Code	Teeth	Type	Dp	De	Df	Dm	B	L	Material
10 - T5 - 10	10	AF	15.92	15.09	19.5	8	15	21	AL
12 - T5 - 10	12	AF	19.10	18.27	23.0	11	15	21	AL
14 - T5 - 10	14	AF	22.28	21.45	25.0	13	15	21	AL
15 - T5 - 10	15	AF	23.87	23.04	28.0	16	15	21	AL
16 - T5 - 10	16	AF	25.46	24.64	32.0	18	15	21	AL
18 - T5 - 10	18	AF	28.65	27.82	32.0	20	15	21	AL
19 - T5 - 10	19	AF	30.24	29.41	36.0	22	15	21	AL
20 - T5 - 10	20	AF	31.83	31.00	36.0	23	15	21	AL
22 - T5 - 10	22	AF	35.01	34.19	38.0	24	15	21	AL
24 - T5 - 10	24	AF	38.20	37.37	42.0	26	15	21	AL
25 - T5 - 10	25	AF	39.79	38.96	44.0	26	15	21	AL
26 - T5 - 10	26	AF	41.38	40.55	44.0	26	15	21	AL
27 - T5 - 10	27	AF	42.97	42.14	48.0	30	15	21	AL
28 - T5 - 10	28	AF	44.56	43.73	48.0	32	15	21	AL
30 - T5 - 10	30	AF	47.75	46.92	51.0	34	15	21	AL
32 - T5 - 10	32	AF	50.93	50.10	54.0	38	15	21	AL
36 - T5 - 10	36	AF	57.30	56.47	64.0	38	15	21	AL
40 - T5 - 10	40	AF	63.66	62.83	66.5	40	15	21	AL
42 - T5 - 10	42	AF	66.85	66.02	70.0	40	15	21	AL
44 - T5 - 10	44	A	70.03	69.20	-	45	15	21	AL
48 - T5 - 10	48	A	76.39	75.57	-	50	15	21	AL
60 - T5 - 10	60	A	95.49	94.67	-	65	15	21	AL

Df and Dm can vary without notice. During manufacturing, the lightening relief may vary slightly.

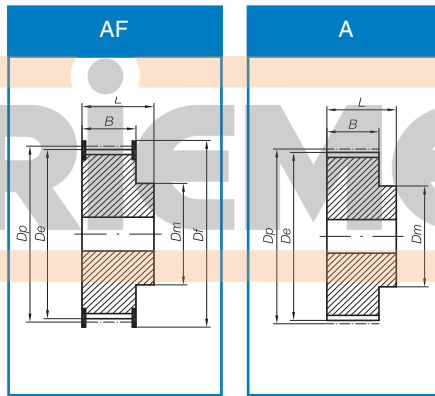
*Cast Iron items may be manufactured from steel depending upon current production availability. This may cause slight variations to non-critical dimensions. Please inform us at order placement if you are unable to accept this variation.

Every effort has been taken to ensure that the data listed in this catalogue is correct. Challenge accepts no liability for any inaccuracies or damage caused. All dimensions in millimetres unless otherwise stated.

Metric Timing Pilot Bore

T5 Pitch = 5mm Belt Width = 16mm

Code	Teeth	Type	Dp	De	Df	Dm	B	L	Material
10 - T5 - 16	10	AF	15.92	15.09	19.5	8	21	27	AL
12 - T5 - 16	12	AF	19.10	18.27	23.0	11	21	27	AL
14 - T5 - 16	14	AF	22.28	21.45	25.0	13	21	27	AL
15 - T5 - 16	15	AF	23.87	23.04	28.0	16	21	27	AL
16 - T5 - 16	16	AF	25.46	24.64	32.0	18	21	27	AL
18 - T5 - 16	18	AF	28.65	27.82	32.0	20	21	27	AL
19 - T5 - 16	19	AF	30.24	29.41	36.0	20	21	27	AL
20 - T5 - 16	20	AF	31.83	31.00	36.0	23	21	27	AL
22 - T5 - 16	22	AF	35.01	34.19	38.0	24	21	27	AL
24 - T5 - 16	24	AF	38.20	37.37	42.0	26	21	27	AL
25 - T5 - 16	25	AF	39.79	38.96	44.0	26	21	27	AL
26 - T5 - 16	26	AF	41.38	40.55	44.0	26	21	27	AL
27 - T5 - 16	27	AF	42.97	42.14	48.0	30	21	27	AL
28 - T5 - 16	28	AF	44.56	43.73	48.0	32	21	27	AL
30 - T5 - 16	30	AF	47.75	46.92	51.0	34	21	27	AL
32 - T5 - 16	32	AF	50.93	50.10	54.0	38	21	27	AL
36 - T5 - 16	36	AF	57.30	56.47	64.0	38	21	27	AL
40 - T5 - 16	40	AF	63.66	62.83	66.5	40	21	27	AL
42 - T5 - 16	42	AF	66.85	66.02	70.0	40	21	27	AL
44 - T5 - 16	44	A	70.03	69.20	-	45	21	27	AL
48 - T5 - 16	48	A	76.39	75.57	-	50	21	27	AL
60 - T5 - 16	60	A	95.49	94.67	-	65	21	27	AL



Material
 AL = Aluminium
 CI* = Cast iron
 S = Steel

T5 Pitch = 5mm Belt Width = 25mm

Code	Teeth	Type	Dp	De	Df	Dm	B	L	Material
10 - T5 - 25	10	AF	15.92	15.09	19.5	8	30	36	AL
12 - T5 - 25	12	AF	19.10	18.27	23.0	11	30	36	AL
14 - T5 - 25	14	AF	22.28	21.45	25.0	13	30	36	AL
15 - T5 - 25	15	AF	23.87	23.04	28.0	16	30	36	AL
16 - T5 - 25	16	AF	25.46	24.64	32.0	18	30	36	AL
18 - T5 - 25	18	AF	28.65	27.82	32.0	20	30	36	AL
19 - T5 - 25	19	AF	30.24	29.41	36.0	22	30	36	AL
20 - T5 - 25	20	AF	31.83	31.00	36.0	23	30	36	AL
22 - T5 - 25	22	AF	35.01	34.19	38.0	24	30	36	AL
24 - T5 - 25	24	AF	38.20	37.37	42.0	26	30	36	AL
25 - T5 - 25	25	AF	39.79	38.96	44.0	26	30	36	AL
26 - T5 - 25	26	AF	41.38	40.55	44.0	26	30	36	AL
27 - T5 - 25	27	AF	42.97	42.14	48.0	30	30	36	AL
28 - T5 - 25	28	AF	44.56	43.73	48.0	32	30	36	AL
30 - T5 - 25	30	AF	47.75	46.92	51.0	34	30	36	AL
32 - T5 - 25	32	AF	50.93	50.10	54.0	38	30	36	AL
36 - T5 - 25	36	AF	57.30	56.47	64.0	38	30	36	AL
40 - T5 - 25	40	AF	63.66	62.83	66.5	40	30	36	AL
42 - T5 - 25	42	AF	66.85	66.02	70.0	40	30	36	AL
44 - T5 - 25	44	A	70.03	69.20	-	45	30	36	AL
48 - T5 - 25	48	A	76.39	75.57	-	50	30	36	AL
60 - T5 - 25	60	A	95.49	94.67	-	65	30	36	AL

Df and Dm can vary without notice. During manufacturing, the lightening relief may vary slightly.

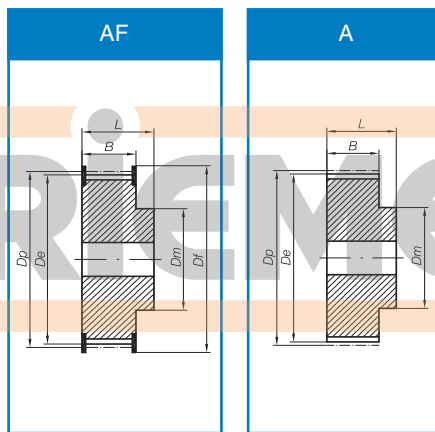
*Cast Iron items may be manufactured from steel depending upon current production availability. This may cause slight variations to non-critical dimensions. Please inform us at order placement if you are unable to accept this variation.

All dimensions in millimetres unless otherwise stated. Every effort has been taken to ensure that the data listed in this catalogue is correct. Challenge accepts no liability for any inaccuracies or damage caused

Metric Timing Pilot Bore

T10 Pitch = 10mm Belt Width = 16mm

Code	Teeth	Type	Dp	De	Df	Dm	B	L	Material
12 - T10 - 16	12	AF	38.20	36.35	42.0	28	21	31	AL
14 - T10 - 16	14	AF	44.56	42.71	48.0	32	21	31	AL
15 - T10 - 16	15	AF	47.75	45.90	51.0	32	21	31	AL
16 - T10 - 16	16	AF	50.93	49.08	54.0	35	21	31	AL
18 - T10 - 16	18	AF	57.30	55.45	60.0	40	21	31	AL
19 - T10 - 16	19	AF	60.48	58.63	66.0	44	21	31	AL
20 - T10 - 16	20	AF	63.66	61.81	66.0	46	21	31	AL
22 - T10 - 16	22	AF	70.03	68.18	75.0	52	21	31	AL
24 - T10 - 16	24	AF	76.39	74.55	83.0	58	21	31	AL
25 - T10 - 16	25	AF	79.58	77.73	83.0	60	21	31	AL
26 - T10 - 16	26	AF	82.76	80.91	87.0	60	21	31	AL
27 - T10 - 16	27	AF	85.94	84.10	91.0	60	21	31	AL
28 - T10 - 16	28	AF	89.13	87.28	93.0	60	21	31	AL
30 - T10 - 16	30	AF	95.49	93.65	97.0	60	21	31	AL
32 - T10 - 16	32	AF	101.86	100.01	106.0	65	21	31	AL
36 - T10 - 16	36	AF	114.59	112.74	119.0	70	21	31	AL
40 - T10 - 16	40	AF	127.32	125.48	131.0	80	21	31	AL
44 - T10 - 16	44	A	140.06	138.21	-	88	21	31	AL
48 - T10 - 16	48	A	152.79	150.94	-	95	21	31	AL
60 - T10 - 16	60	A	190.99	189.14	-	110	21	31	AL



Material
 AL = Aluminium
 CI* = Cast iron
 S = Steel

T10 Pitch = 10mm Belt Width = 25mm

Code	Teeth	Type	Dp	De	Df	Dm	B	L	Material
12 - T10 - 25	12	AF	38.20	36.35	42.0	28	30	40	AL
14 - T10 - 25	14	AF	44.56	42.71	48.0	32	30	40	AL
15 - T10 - 25	15	AF	47.75	45.90	51.0	32	30	40	AL
16 - T10 - 25	16	AF	50.93	49.08	54.0	35	30	40	AL
18 - T10 - 25	18	AF	57.30	55.45	60.0	40	30	40	AL
19 - T10 - 25	19	AF	60.48	58.63	66.0	44	30	40	AL
20 - T10 - 25	20	AF	63.66	61.81	66.0	46	30	40	AL
22 - T10 - 25	22	AF	70.03	68.18	75.0	52	30	40	AL
24 - T10 - 25	24	AF	76.39	74.55	83.0	58	30	40	AL
25 - T10 - 25	25	AF	79.58	77.73	83.0	60	30	40	AL
26 - T10 - 25	26	AF	82.76	80.91	87.0	60	30	40	AL
27 - T10 - 25	27	AF	85.94	84.10	91.0	60	30	40	AL
28 - T10 - 25	28	AF	89.13	87.28	93.0	60	30	40	AL
30 - T10 - 25	30	AF	95.49	93.65	97.0	60	30	40	AL
32 - T10 - 25	32	AF	101.86	100.01	106.0	65	30	40	AL
36 - T10 - 25	36	AF	114.59	112.74	119.0	70	30	40	AL
40 - T10 - 25	40	AF	127.32	125.48	131.0	80	30	40	AL
44 - T10 - 25	44	A	140.06	138.21	-	88	30	40	AL
48 - T10 - 25	48	A	152.79	150.94	-	95	30	40	AL
60 - T10 - 25	60	A	190.99	189.14	-	110	30	40	AL

Df and Dm can vary without notice. During manufacturing, the lightening relief may vary slightly.

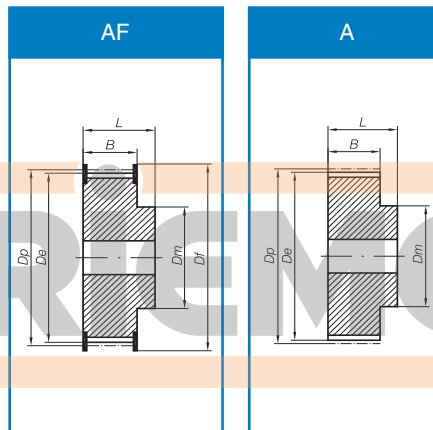
*Cast Iron items may be manufactured from steel depending upon current production availability. This may cause slight variations to non-critical dimensions. Please inform us at order placement if you are unable to accept this variation.

Every effort has been taken to ensure that the data listed in this catalogue is correct. Challenge accepts no liability for any inaccuracies or damage caused. All dimensions in millimetres unless otherwise stated.

Metric Timing Pilot Bore

T10 Pitch = 10mm Belt Width = 32mm

Code	Teeth	Type	Dp	De	Df	Dm	B	L	Material
18 - T10 - 32	18	AF	57.30	55.45	60.0	40	37	47	AL
19 - T10 - 32	19	AF	60.48	58.63	66.0	44	37	47	AL
20 - T10 - 32	20	AF	63.66	61.81	66.0	46	37	47	AL
22 - T10 - 32	22	AF	70.03	68.18	75.0	52	37	47	AL
24 - T10 - 32	24	AF	76.39	74.55	83.0	58	37	47	AL
25 - T10 - 32	25	AF	79.58	77.73	83.0	60	37	47	AL
26 - T10 - 32	26	AF	82.76	80.91	87.0	60	37	47	AL
27 - T10 - 32	27	AF	85.94	84.10	91.0	60	37	47	AL
28 - T10 - 32	28	AF	89.13	87.28	93.0	60	37	47	AL
30 - T10 - 32	30	AF	95.49	93.65	97.0	60	37	47	AL
32 - T10 - 32	32	AF	101.86	100.01	106.0	65	37	47	AL
36 - T10 - 32	36	AF	114.59	112.74	119.0	70	37	47	AL
40 - T10 - 32	40	AF	127.32	125.48	131.0	80	37	47	AL
44 - T10 - 32	44	A	140.06	138.21	-	88	37	47	AL
48 - T10 - 32	48	A	152.79	150.94	-	95	37	47	AL
60 - T10 - 32	60	A	190.99	189.14	-	110	37	47	AL



Material
 AL = Aluminium
 CI* = Cast iron
 S = Steel

T10 Pitch = 10mm Belt Width = 50mm

Code	Teeth	Type	Dp	De	Df	Dm	B	L	Material
18 - T10 - 50	18	AF	57.30	55.45	60.0	40	56	66	AL
19 - T10 - 50	19	AF	60.48	58.63	66.0	44	56	66	AL
20 - T10 - 50	20	AF	63.66	61.81	66.0	46	56	66	AL
22 - T10 - 50	22	AF	70.03	68.18	75.0	52	56	66	AL
24 - T10 - 50	24	AF	76.39	74.55	83.0	58	56	66	AL
25 - T10 - 50	25	AF	79.58	77.73	83.0	60	56	66	AL
26 - T10 - 50	26	AF	82.76	80.91	87.0	60	56	66	AL
27 - T10 - 50	27	AF	85.94	84.10	91.0	60	56	66	AL
28 - T10 - 50	28	AF	89.13	87.28	93.0	60	56	66	AL
30 - T10 - 50	30	AF	95.49	93.65	97.0	60	56	66	AL
32 - T10 - 50	32	AF	101.86	100.01	106.0	65	56	66	AL
36 - T10 - 50	36	AF	114.59	112.74	119.0	70	56	66	AL
40 - T10 - 50	40	AF	127.32	125.48	131.0	80	56	66	AL
44 - T10 - 50	44	A	140.06	138.21	-	88	56	66	AL
48 - T10 - 50	48	A	152.79	150.94	-	95	56	66	AL
60 - T10 - 50	60	A	190.99	189.14	-	110	56	66	AL

Df and Dm can vary without notice. During manufacturing, the lightening relief may vary slightly.

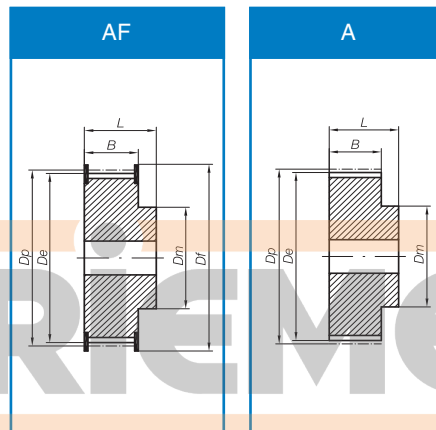
*Cast Iron items may be manufactured from steel depending upon current production availability. This may cause slight variations to non-critical dimensions. Please inform us at order placement if you are unable to accept this variation.

All dimensions in millimetres unless otherwise stated. Every effort has been taken to ensure that the data listed in this catalogue is correct. Challenge accepts no liability for any inaccuracies or damage caused

Metric Timing Pilot Bore

T20 Pitch = 10mm Belt Width = 32mm

Code	Teeth	Type	Dp	De	Df	Dm	B	L	Material
18 - T20 - 32	18	AF	114.59	111.73	119.0	80	42	53	AL
20 - T20 - 32	20	AF	127.32	124.47	138.0	90	42	53	AL
22 - T20 - 32	22	AF	140.06	137.20	145.0	90	42	53	AL
24 - T20 - 32	24	AF	152.79	149.93	162.0	95	42	53	AL
25 - T20 - 32	25	AF	159.15	156.30	168.0	95	42	53	AL
30 - T20 - 32	30	AF	190.99	188.13	200.0	110	42	53	AL
32 - T20 - 32	32	A	203.72	200.86	-	110	42	53	AL
36 - T20 - 32	36	A	229.18	226.33	-	110	42	53	AL
40 - T20 - 32	40	A	254.65	251.80	-	110	42	53	AL
48 - T20 - 32	48	A	305.58	302.73	-	130	42	53	AL
60 - T20 - 32	60	A	381.97	379.12	-	130	42	53	AL



Material
 AL = Aluminium
 CI* = Cast iron
 S = Steel

T20 Pitch = 20mm Belt Width = 50mm

Code	Teeth	Type	Dp	De	Df	Dm	B	L	Material
18 - T20 - 50	18	AF	114.59	111.73	119.0	80	60	71	AL
20 - T20 - 50	20	AF	127.32	124.47	138.0	90	60	71	AL
22 - T20 - 50	22	AF	140.06	137.20	145.0	90	60	71	AL
24 - T20 - 50	24	AF	152.79	149.93	162.0	95	60	71	AL
25 - T20 - 50	25	AF	159.15	156.30	168.0	95	60	71	AL
30 - T20 - 50	30	AF	190.99	188.13	200.0	110	60	71	AL
32 - T20 - 50	32	A	203.72	200.86	-	110	60	71	AL
36 - T20 - 50	36	A	229.18	226.33	-	110	60	71	AL
40 - T20 - 50	40	A	254.65	251.80	-	110	60	71	AL
48 - T20 - 50	48	A	305.58	302.73	-	130	60	71	AL
60 - T20 - 50	60	A	381.97	379.12	-	130	60	71	AL

Df and Dm can vary without notice. During manufacturing, the lightening relief may vary slightly.

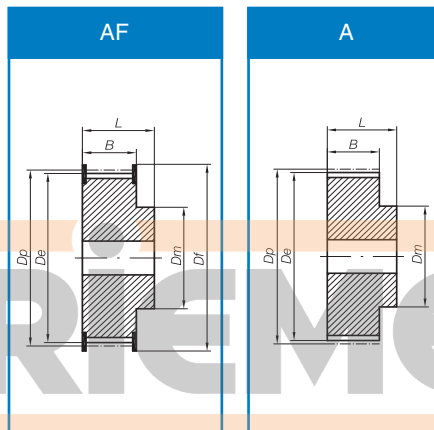
*Cast Iron items may be manufactured from steel depending upon current production availability. This may cause slight variations to non-critical dimensions. Please inform us at order placement if you are unable to accept this variation.

Every effort has been taken to ensure that the data listed in this catalogue is correct. Challenge accepts no liability for any inaccuracies or damage caused. All dimensions in millimetres unless otherwise stated.

Metric Timing Pilot Bore

T20 Pitch = 20mm Belt Width = 75mm

Code	Teeth	Type	Dp	De	Df	Dm	B	L	Material
18 - T20 - 75	18	AF	114.59	111.73	119.0	80	85	106	AL
20 - T20 - 75	20	AF	127.32	124.47	138.0	90	85	106	AL
22 - T20 - 75	22	AF	140.06	137.20	145.0	90	85	106	AL
24 - T20 - 75	24	AF	152.79	149.93	162.0	95	85	106	AL
25 - T20 - 75	25	AF	159.15	156.30	168.0	95	85	106	AL
30 - T20 - 75	30	AF	190.99	188.13	200.0	110	85	106	AL
32 - T20 - 75	32	A	203.72	200.86	-	110	85	106	AL
36 - T20 - 75	36	A	229.18	226.33	-	110	85	106	AL
40 - T20 - 75	40	A	254.65	251.80	-	110	85	106	AL
48 - T20 - 75	48	A	305.58	302.73	-	130	85	106	AL
60 - T20 - 75	60	A	381.97	379.12	-	130	85	106	AL



Material
 AL = Aluminium
 CI* = Cast iron
 S = Steel

T20 Pitch = 20mm Belt Width = 100mm

Code	Teeth	Type	Dp	De	Df	Dm	B	L	Material
18 - T20 - 100	18	AF	114.59	111.73	119.0	80	110	123	AL
20 - T20 - 100	20	AF	127.32	124.47	138.0	90	110	123	AL
22 - T20 - 100	22	AF	140.06	137.20	145.0	90	110	123	AL
24 - T20 - 100	24	AF	152.79	149.93	162.0	95	110	123	AL
25 - T20 - 100	25	AF	159.15	156.30	168.0	95	110	123	AL
30 - T20 - 100	30	AF	190.99	188.13	200.0	110	110	123	AL
32 - T20 - 100	32	A	203.72	200.86	-	110	110	123	AL
36 - T20 - 100	36	A	229.18	226.33	-	110	110	123	AL
40 - T20 - 100	40	A	254.65	251.80	-	110	110	123	AL
48 - T20 - 100	48	A	305.58	302.73	-	130	110	123	AL
60 - T20 - 100	60	A	381.97	379.12	-	130	110	123	AL

Df and Dm can vary without notice. During manufacturing, the lightening relief may vary slightly.

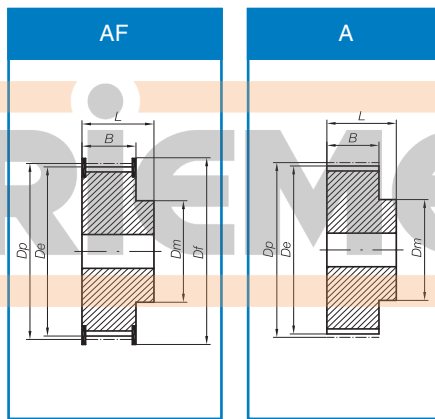
*Cast Iron items may be manufactured from steel depending upon current production availability. This may cause slight variations to non-critical dimensions. Please inform us at order placement if you are unable to accept this variation.

All dimensions in millimetres unless otherwise stated. Every effort has been taken to ensure that the data listed in this catalogue is correct. Challenge accepts no liability for any inaccuracies or damage caused

Metric Timing Pilot Bore

AT5 Pitch = 5mm Belt Width = 10mm

Code	Teeth	Type	Dp	De	Df	Dm	B	L	Material
12 - AT5 - 10	12	AF	19.10	17.87	23	11	15	21	AL
14 - AT5 - 10	14	AF	22.28	21.05	25	14	15	21	AL
15 - AT5 - 10	15	AF	23.87	22.64	28	16	15	21	AL
16 - AT5 - 10	16	AF	25.46	24.24	32	18	15	21	AL
18 - AT5 - 10	18	AF	28.65	27.42	32	20	15	21	AL
19 - AT5 - 10	19	AF	30.24	29.01	36	22	15	21	AL
20 - AT5 - 10	20	AF	31.83	30.60	36	23	15	21	AL
22 - AT5 - 10	22	AF	35.01	33.79	38	24	15	21	AL
24 - AT5 - 10	24	AF	38.20	36.97	42	26	15	21	AL
25 - AT5 - 10	25	AF	39.79	38.56	44	26	15	21	AL
26 - AT5 - 10	26	AF	41.38	40.15	44	26	15	21	AL
27 - AT5 - 10	27	AF	42.97	41.74	48	30	15	21	AL
28 - AT5 - 10	28	AF	44.56	43.33	48	32	15	21	AL
30 - AT5 - 10	30	AF	47.75	46.52	51	34	15	21	AL
32 - AT5 - 10	32	AF	50.93	49.70	54	38	15	21	AL
36 - AT5 - 10	36	AF	57.30	56.07	64	38	15	21	AL
40 - AT5 - 10	40	AF	63.66	62.43	67	40	15	21	AL
42 - AT5 - 10	42	AF	66.85	65.62	70	40	15	21	AL
44 - AT5 - 10	44	A	70.03	68.80	-	45	15	21	AL
48 - AT5 - 10	48	A	76.39	75.17	-	50	15	21	AL
60 - AT5 - 10	60	A	95.49	94.27	-	65	15	21	AL



Material
 AL = Aluminium
 CI* = Cast iron
 S = Steel

AT5 Pitch = 5mm Belt Width = 16mm

Code	Teeth	Type	Dp	De	Df	Dm	B	L	Material
12 - AT5 - 16	12	AF	19.10	17.87	23	11	21	27	AL
14 - AT5 - 16	14	AF	22.28	21.05	25	14	21	27	AL
15 - AT5 - 16	15	AF	23.87	22.64	28	16	21	27	AL
16 - AT5 - 16	16	AF	25.46	24.24	32	18	21	27	AL
18 - AT5 - 16	18	AF	28.65	27.42	32	20	21	27	AL
19 - AT5 - 16	19	AF	30.24	29.01	36	22	21	27	AL
20 - AT5 - 16	20	AF	31.83	30.60	36	23	21	27	AL
22 - AT5 - 16	22	AF	35.01	33.79	38	24	21	27	AL
24 - AT5 - 16	24	AF	38.20	36.97	42	26	21	27	AL
25 - AT5 - 16	25	AF	39.79	38.56	44	26	21	27	AL
26 - AT5 - 16	26	AF	41.38	40.15	44	26	21	27	AL
27 - AT5 - 16	27	AF	42.97	41.74	48	30	21	27	AL
28 - AT5 - 16	28	AF	44.56	43.33	48	32	21	27	AL
30 - AT5 - 16	30	AF	47.75	46.52	51	34	21	27	AL
32 - AT5 - 16	32	AF	50.93	49.70	54	36	21	27	AL
36 - AT5 - 16	36	AF	57.30	56.07	64	38	21	27	AL
40 - AT5 - 16	40	AF	63.66	62.43	67	40	21	27	AL
42 - AT5 - 16	42	AF	66.85	65.62	70	40	21	27	AL
44 - AT5 - 16	44	A	70.03	68.80	-	45	21	27	AL
48 - AT5 - 16	48	A	76.39	75.17	-	50	21	27	AL
60 - AT5 - 16	60	A	95.49	94.27	-	65	21	27	AL

Df and Dm can vary without notice. During manufacturing, the lightening relief may vary slightly.

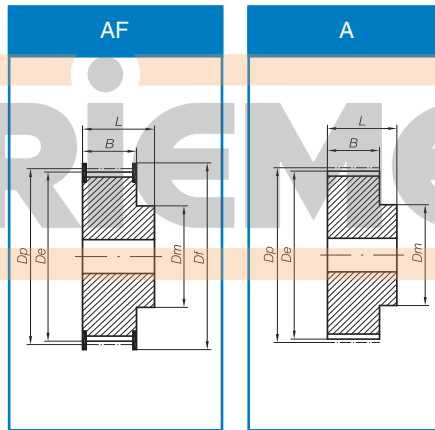
*Cast Iron items may be manufactured from steel depending upon current production availability. This may cause slight variations to non-critical dimensions. Please inform us at order placement if you are unable to accept this variation.

Every effort has been taken to ensure that the data listed in this catalogue is correct. Challenge accepts no liability for any inaccuracies or damage caused. All dimensions in millimetres unless otherwise stated.

Metric Timing Pilot Bore

AT5 Pitch = 5mm Belt Width = 25mm

Code	Teeth	Type	Dp	De	Df	Dm	B	L	Material
12 - AT5 - 25	12	AF	19.10	17.87	23	11	30	36	AL
14 - AT5 - 25	14	AF	22.28	21.05	25	14	30	36	AL
15 - AT5 - 25	15	AF	23.87	22.64	28	16	30	36	AL
16 - AT5 - 25	16	AF	25.46	24.24	32	18	30	36	AL
18 - AT5 - 25	18	AF	28.65	27.42	32	20	30	36	AL
19 - AT5 - 25	19	AF	30.24	29.01	36	22	30	36	AL
20 - AT5 - 25	20	AF	31.83	30.60	36	23	30	36	AL
22 - AT5 - 25	22	AF	35.01	33.79	38	24	30	36	AL
24 - AT5 - 25	24	AF	38.20	36.97	42	26	30	36	AL
25 - AT5 - 25	25	AF	39.79	38.56	44	26	30	36	AL
26 - AT5 - 25	26	AF	41.38	40.15	44	26	30	36	AL
27 - AT5 - 25	27	AF	42.97	41.74	48	30	30	36	AL
28 - AT5 - 25	28	AF	44.56	43.33	48	32	30	36	AL
30 - AT5 - 25	30	AF	47.75	46.52	51	34	30	36	AL
32 - AT5 - 25	32	AF	50.93	49.70	54	36	30	36	AL
36 - AT5 - 25	36	AF	57.30	56.07	64	38	30	36	AL
40 - AT5 - 25	40	AF	63.66	62.43	67	40	30	36	AL
42 - AT5 - 25	42	AF	66.85	65.62	70	40	30	36	AL
44 - AT5 - 25	44	A	70.03	68.80	-	45	30	36	AL
48 - AT5 - 25	48	A	76.39	75.17	-	50	30	36	AL
60 - AT5 - 25	60	A	95.49	94.27	-	65	30	36	AL



Material
 AL = Aluminium
 CI* = Cast iron
 S = Steel

AT10 Pitch = 10mm Belt Width = 16mm

Code	Teeth	Type	Dp	De	Df	Dm	B	L	Material
15 - AT10 - 16	15	AF	47.75	45.90	51.0	32	21	31	AL
16 - AT10 - 16	16	AF	50.93	49.08	54.0	35	21	31	AL
18 - AT10 - 16	18	AF	57.30	55.45	60.0	40	21	31	AL
19 - AT10 - 16	19	AF	60.48	58.63	66.0	44	21	31	AL
20 - AT10 - 16	20	AF	63.66	61.81	66.0	46	21	31	AL
22 - AT10 - 16	22	AF	70.03	68.18	75.0	52	21	31	AL
24 - AT10 - 16	24	AF	76.39	74.55	83.0	58	21	31	AL
25 - AT10 - 16	25	AF	79.58	77.73	83.0	60	21	31	AL
26 - AT10 - 16	26	AF	82.76	80.91	87.0	60	21	31	AL
27 - AT10 - 16	27	AF	85.94	84.10	91.0	60	21	31	AL
28 - AT10 - 16	28	AF	89.13	87.28	93.0	60	21	31	AL
30 - AT10 - 16	30	AF	95.49	93.65	97.0	60	21	31	AL
32 - AT10 - 16	32	AF	101.86	100.01	106.0	65	21	31	AL
36 - AT10 - 16	36	AF	114.59	112.74	119.0	70	21	31	AL
40 - AT10 - 16	40	AF	127.32	125.48	131.0	80	21	31	AL
44 - AT10 - 16	44	A	140.06	138.21	-	88	21	31	AL
48 - AT10 - 16	48	A	152.79	150.94	-	95	21	31	AL
60 - AT10 - 16	60	A	190.99	189.14	-	110	21	31	AL

Df and Dm can vary without notice. During manufacturing, the lightening relief may vary slightly.

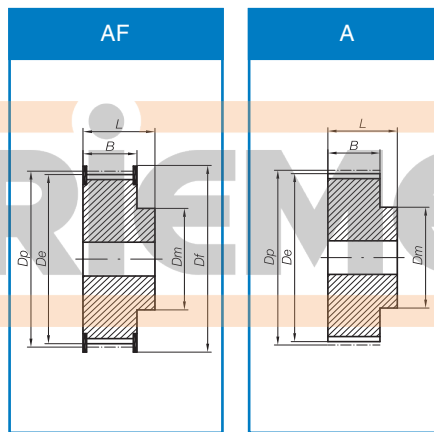
*Cast Iron items may be manufactured from steel depending upon current production availability. This may cause slight variations to non-critical dimensions. Please inform us at order placement if you are unable to accept this variation.

All dimensions in millimetres unless otherwise stated. Every effort has been taken to ensure that the data listed in this catalogue is correct. Challenge accepts no liability for any inaccuracies or damage caused

Metric Timing Pilot Bore

AT10 Pitch = 10mm Belt Width = 25mm

Code	Teeth	Type	Dp	De	Df	Dm	B	L	Material
15 - AT10 - 25	15	AF	47.75	45.90	45.9	31	30	40	AL
16 - AT10 - 25	16	AF	50.93	49.08	49.1	35	30	40	AL
18 - AT10 - 25	18	AF	57.30	55.45	55.5	40	30	40	AL
19 - AT10 - 25	19	AF	60.48	58.63	58.6	44	30	40	AL
20 - AT10 - 25	20	AF	63.66	61.81	61.8	46	30	40	AL
22 - AT10 - 25	22	AF	70.03	68.18	68.2	52	30	40	AL
24 - AT10 - 25	24	AF	76.39	74.55	74.6	58	30	40	AL
25 - AT10 - 25	25	AF	79.58	77.73	77.7	60	30	40	AL
26 - AT10 - 25	26	AF	82.76	80.91	80.9	60	30	40	AL
27 - AT10 - 25	27	AF	85.94	84.10	84.1	60	30	40	AL
28 - AT10 - 25	28	AF	89.13	87.28	87.3	60	30	40	AL
30 - AT10 - 25	30	AF	95.49	93.65	93.7	60	30	40	AL
32 - AT10 - 25	32	AF	101.86	100.01	100.0	65	30	40	AL
36 - AT10 - 25	36	AF	114.59	112.74	112.7	70	30	40	AL
40 - AT10 - 25	40	AF	127.32	125.48	125.5	80	30	40	AL
44 - AT10 - 25	44	A	140.06	138.21	138.2	88	30	40	AL
48 - AT10 - 25	48	A	152.79	150.94	150.9	95	30	40	AL
60 - AT10 - 25	60	A	190.99	189.14	189.1	110	30	40	AL



Material
 AL = Aluminium
 CI* = Cast iron
 S = Steel

AT10 Pitch = 10mm Belt Width = 32mm

Code	Teeth	Type	Dp	De	Df	Dm	B	L	Material
18 - AT10 - 32	18	AF	57.30	55.45	60.0	40	37	47	AL
19 - AT10 - 32	19	AF	60.48	58.63	66.0	44	37	47	AL
20 - AT10 - 32	20	AF	63.66	61.81	66.0	46	37	47	AL
22 - AT10 - 32	22	AF	70.03	68.18	75.0	52	37	47	AL
24 - AT10 - 32	24	AF	76.39	74.55	83.0	58	37	47	AL
25 - AT10 - 32	25	AF	79.58	77.73	83.0	60	37	47	AL
26 - AT10 - 32	26	AF	82.76	80.91	87.0	60	37	47	AL
27 - AT10 - 32	27	AF	85.94	84.10	91.0	60	37	47	AL
28 - AT10 - 32	28	AF	89.13	87.28	93.0	60	37	47	AL
30 - AT10 - 32	30	AF	95.49	93.65	97.0	60	37	47	AL
32 - AT10 - 32	32	AF	101.86	100.01	106.0	65	37	47	AL
36 - AT10 - 32	36	AF	114.59	112.74	119.0	70	37	47	AL
40 - AT10 - 32	40	AF	127.32	125.48	131.0	80	37	47	AL
44 - AT10 - 32	44	A	140.06	138.21	-	88	37	47	AL
48 - AT10 - 32	48	A	152.79	150.94	-	95	37	47	AL
60 - AT10 - 32	60	A	190.99	189.14	-	110	37	47	AL

Df and Dm can vary without notice. During manufacturing, the lightening relief may vary slightly.

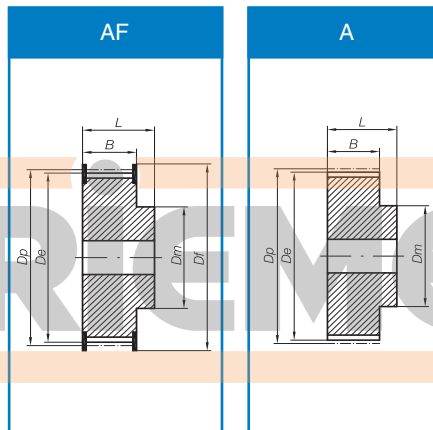
*Cast Iron items may be manufactured from steel depending upon current production availability. This may cause slight variations to non-critical dimensions. Please inform us at order placement if you are unable to accept this variation.

Every effort has been taken to ensure that the data listed in this catalogue is correct. Challenge accepts no liability for any inaccuracies or damage caused. All dimensions in millimetres unless otherwise stated.

Metric Timing Pilot Bore

AT10 Pitch = 10mm Belt Width = 50mm

Code	Teeth	Type	Dp	De	Df	Dm	B	L	Material
18 - AT10 - 50	18	AF	57.30	55.45	60.0	40	56	66	AL
19 - AT10 - 50	19	AF	60.48	58.63	66.0	44	56	66	AL
20 - AT10 - 50	20	AF	63.66	61.81	66.0	46	56	66	AL
22 - AT10 - 50	22	AF	70.03	68.18	75.0	52	56	66	AL
24 - AT10 - 50	24	AF	76.39	74.55	83.0	58	56	66	AL
25 - AT10 - 50	25	AF	79.58	77.73	83.0	60	56	66	AL
26 - AT10 - 50	26	AF	82.76	80.91	87.0	60	56	66	AL
27 - AT10 - 50	27	AF	85.94	84.10	91.0	60	56	66	AL
28 - AT10 - 50	28	AF	89.13	87.28	93.0	60	56	66	AL
30 - AT10 - 50	30	AF	95.49	93.65	97.0	60	56	66	AL
32 - AT10 - 50	32	AF	101.86	100.01	106.0	65	56	66	AL
36 - AT10 - 50	36	AF	114.59	112.74	119.0	70	56	66	AL
40 - AT10 - 50	40	AF	127.32	125.48	131.0	80	56	66	AL
44 - AT10 - 50	44	A	140.06	138.21	-	88	56	66	AL
48 - AT10 - 50	48	A	152.79	150.94	-	95	56	66	AL
60 - AT10 - 50	60	A	190.99	189.14	-	110	56	66	AL



Material
 AL = Aluminium
 CI* = Cast iron
 S = Steel

AT20 Pitch = 20mm Belt Width = 32mm

Code	Teeth	Type	Dp	De	Df	Dm	B	L	Material
18 - AT20 - 32	18	AF	114.59	111.73	119.0	80	42	53	AL
20 - AT20 - 32	20	AF	127.32	124.47	138.0	90	42	53	AL
22 - AT20 - 32	22	AF	140.06	137.20	145.0	90	42	53	AL
24 - AT20 - 32	24	AF	152.79	149.93	162.0	95	42	53	AL
25 - AT20 - 32	25	AF	159.15	156.30	168.0	95	42	53	AL
30 - AT20 - 32	30	AF	190.99	188.13	200.0	110	42	53	AL
32 - AT20 - 32	32	A	203.72	200.86	-	110	42	53	AL
36 - AT20 - 32	36	A	229.18	226.33	-	110	42	53	AL
40 - AT20 - 32	40	A	254.65	251.80	-	110	42	53	AL
48 - AT20 - 32	48	A	305.58	302.73	-	130	42	53	AL
60 - AT20 - 32	60	A	381.97	379.12	-	130	42	53	AL

Df and Dm can vary without notice. During manufacturing, the lightening relief may vary slightly.

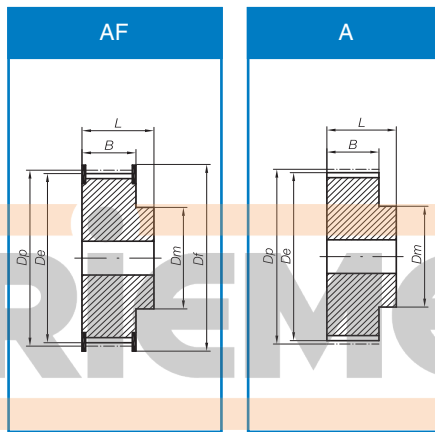
*Cast Iron items may be manufactured from steel depending upon current production availability. This may cause slight variations to non-critical dimensions. Please inform us at order placement if you are unable to accept this variation.

All dimensions in millimetres unless otherwise stated. Every effort has been taken to ensure that the data listed in this catalogue is correct. Challenge accepts no liability for any inaccuracies or damage caused

Metric Timing Pilot Bore

AT20 Pitch = 20mm Belt Width = 50mm

Code	Teeth	Type	Dp	De	Df	Dm	B	L	Material
18 - AT20 - 50	18	AF	114.59	111.73	119.0	80	60	71	AL
20 - AT20 - 50	20	AF	127.32	124.47	138.0	90	60	71	AL
22 - AT20 - 50	22	AF	140.06	137.20	145.0	90	60	71	AL
24 - AT20 - 50	24	AF	152.79	149.93	162.0	95	60	71	AL
25 - AT20 - 50	25	AF	159.15	156.30	168.0	95	60	71	AL
30 - AT20 - 50	30	AF	190.99	188.13	200.0	110	60	71	AL
32 - AT20 - 50	32	A	203.72	200.86	-	110	60	71	AL
36 - AT20 - 50	36	A	229.18	226.33	-	110	60	71	AL
40 - AT20 - 50	40	A	254.65	251.80	-	110	60	71	AL
48 - AT20 - 50	48	A	305.58	302.73	-	130	60	71	AL
60 - AT20 - 50	60	A	381.97	379.12	-	130	60	71	AL



Material
 AL = Aluminium
 CI* = Cast iron
 S = Steel

AT20 Pitch = 20mm Belt Width = 75mm

Code	Teeth	Type	Dp	De	Df	Dm	B	L	Material
18 - AT20 - 75	18	AF	114.59	111.73	119.0	80	85	106	AL
20 - AT20 - 75	20	AF	127.32	124.47	138.0	90	85	106	AL
22 - AT20 - 75	22	AF	140.06	137.20	145.0	90	85	106	AL
24 - AT20 - 75	24	AF	152.79	149.93	162.0	95	85	106	AL
25 - AT20 - 75	25	AF	159.15	156.30	168.0	95	85	106	AL
30 - AT20 - 75	30	AF	190.99	188.13	200.0	110	85	106	AL
32 - AT20 - 75	32	A	203.72	200.86	-	110	85	106	AL
36 - AT20 - 75	36	A	229.18	226.33	-	110	85	106	AL
40 - AT20 - 75	40	A	254.65	251.80	-	110	85	106	AL
48 - AT20 - 75	48	A	305.58	302.73	-	130	85	106	AL
60 - AT20 - 75	60	A	381.97	379.12	-	130	85	106	AL

Df and Dm can vary without notice. During manufacturing, the lightening relief may vary slightly.

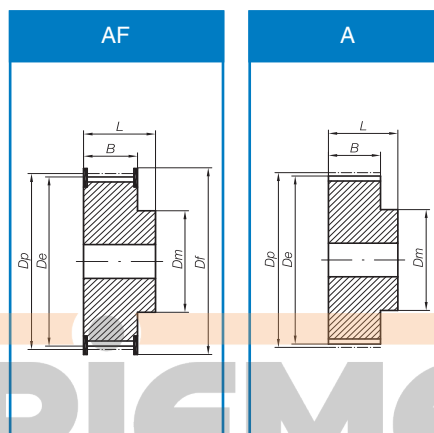
*Cast Iron items may be manufactured from steel depending upon current production availability. This may cause slight variations to non-critical dimensions. Please inform us at order placement if you are unable to accept this variation.

Every effort has been taken to ensure that the data listed in this catalogue is correct. Challenge accepts no liability for any inaccuracies or damage caused. All dimensions in millimetres unless otherwise stated.

Metric Timing Pilot Bore

AT20 Pitch = 20mm Belt Width = 100mm

Code	Teeth	Type	Dp	De	Df	Dm	B	L	Material
18 - AT20 - 100	18	AF	114.59	111.73	119.0	80	110	123	AL
20 - AT20 - 100	20	AF	127.32	124.47	138.0	90	110	123	AL
22 - AT20 - 100	22	AF	140.06	137.20	145.0	90	110	123	AL
24 - AT20 - 100	24	AF	152.79	149.93	162.0	95	110	123	AL
25 - AT20 - 100	25	AF	159.15	156.30	168.0	95	110	123	AL
30 - AT20 - 100	30	AF	190.99	188.13	200.0	110	110	123	AL
32 - AT20 - 100	32	A	203.72	200.86	-	110	110	123	AL
36 - AT20 - 100	36	A	229.18	226.33	-	110	110	123	AL
40 - AT20 - 100	40	A	254.65	251.80	-	110	110	123	AL
48 - AT20 - 100	48	A	305.58	302.73	-	130	110	123	AL
60 - AT20 - 100	60	A	381.97	379.12	-	130	110	123	AL



Material
 AL = Aluminium
 CI* = Cast iron
 S = Steel

Df and Dm can vary without notice. During manufacturing, the lightening relief may vary slightly.

*Cast Iron items may be manufactured from steel depending upon current production availability. This may cause slight variations to non-critical dimensions. Please inform us at order placement if you are unable to accept this variation.

All dimensions in millimetres unless otherwise stated. Every effort has been taken to ensure that the data listed in this catalogue is correct. Challenge accepts no liability for any inaccuracies or damage caused