



# CRAFT BEARINGS

Quality Minded



## GENERAL CATALOG

[www.craft-bearings.com](http://www.craft-bearings.com)



## CYLINDRICAL ROLLER BEARINGS

Series: N2.. N22.. N3.. N23.. NF2.. NF22.. NF3.. NF23.. NF4.. NU10.. NU2.. NU22.. NU3.. NU23.. NU4.. NJ10.. NJ2.. NJ22.. NJ3.. NJ23.. NJ4.. NUP2.. NUP22.. NUP3.. NUP23.. NUP4.. NN..



Subject	Symbol	Description
Radial internal clearance	C2	Less than normal.
	CN	Normal clearance. Is not indicated as a standard.
	C3	Greater clearance than normal.
	C4	Greater than C3.
	C5	Greater than C4.
Other technical modifications	K	Tapered bore.
Cage types	E	Polymer cage
	M	Brass cage roller guided.
	S	Pressed steel cage.
	-	Pressed steel cage. Is not indicated as a standard.
Speed ratings	V	Normal vibration level. Is not indicated as a standard.
	V1	Lower vibration level than normal.
	V2	Lower vibration level than V1.
	V3	Lower vibration level than V2.
	V4	Lower vibration level than V3.
Tolerances	P0	Normal tolerance level. Is not indicated as a standard.
	P6	Greater tolerance level than P0.
	P5	Greater tolerance level than P6.

## Features

CRAFT bearings cylindrical roller bearings are available in many designs, series and sizes. The majority are single row bearings with a cage. High-capacity bearings, single and double row full complement bearings (without a cage)

Due to the line contact in between rolling elements and raceways, CRAFT bearings cylindrical roller bearings have higher radial load capacity and they are suited to high-speed applications due to their structure.

Together with a high strength cage design in pressed steel, the most cylindrical roller bearings consist of brass or polyamide and provides low noise, low heat generation and, for much more difficult applications could be provided in a variety of advanced special materials.

Our cylindrical bearings are equally suitable for heavy radial and impact loading.

Having a separable inner or outer ring, these bearings can be easily mounted and dismounted.

## One-Row Cylindrical Bearings

N Style single row - N style cylindrical roller bearings have two machined flanges in the inner ring with no flanges on the outer ring, with rollers and cage on the inner ring. Much like the NU style, the N doesn't have thrust load carrying capability.

NU style single row - NU style cylindrical roller bearings have two machined flanges in the outer ring with no flanges in the inner ring.

NJ style single row - NJ style cylindrical roller bearings have two machined flanges in the outer ring plus a machined flange on one side in the inner ring. The roller and cage assembly is in the outer ring. The integral flange on the inner ring enables this bearing to handle an axial load.

NF style single row - NF style cylindrical roller bearings have two machined flanges in the inner ring and the other flange in the outer ring, with roller and cage on the inner ring. Much like the NJ bearing, these bearings possess some thrust load capability.

NUP style single row - NUP style cylindrical roller bearings are like the NJ style and come with a special ring called a thrust collar. Mounted on the non-flange side of the inner ring, the thrust collar allows the bearing to hold an axial load in both directions. The thrust collar extends out of your bearing on one side, therefore the dimensions across the inner ring is slightly higher than that of the outer ring.

NP (Also able to carry incidental thrust loads in both directions, and may be used with a type RN or RU to accommodate axial expansion and contraction. Two integral ribs on inner ring, one integral rib on outer ring.

## Two-Row Cylindrical Bearings (NN)

Cylindrical roller bearings, in which either the inner or outer rings has two ribs and the other ring has one, are capable of taking some axial load in one direction Double-row cylindrical roller bearings have high radial rigidity and are used primarily for precision machine tools

## Cages

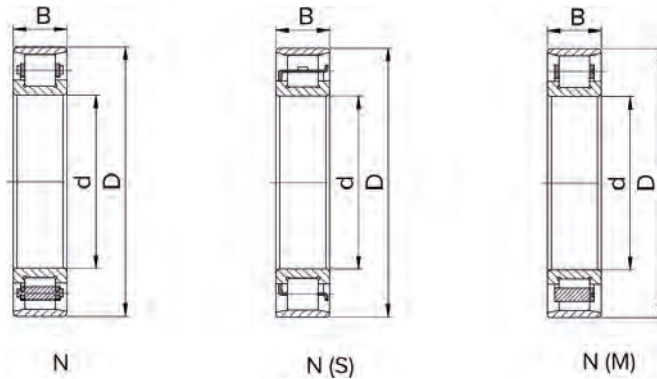
Small and medium-sized single row cylindrical roller bearings are generally fitted with pressed sheet cages. Large-sized bearings are fitted with machined brass cages of normal design, i.e. cages of separable design guided on rolling elements M, on the outside surface MA or inner surface MB.

In case of heavy loads and high speeds, cages are made in one piece.

## Loads

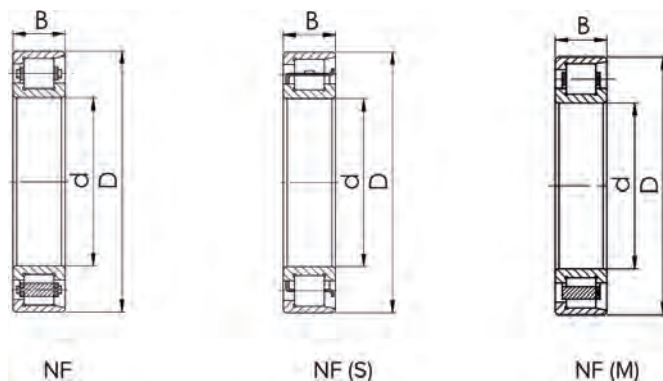
Cylindrical roller bearings must be subjected to a given minimum load, so that a proper operation of these bearings can be guaranteed.

This is necessary especially as the bearings are operated at high speeds and the centrifugal forces produce additional friction in bearing due to the sliding between rollers and raceway.



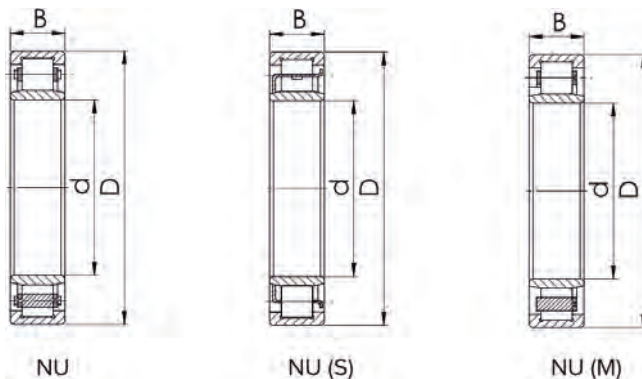
ISO	GOST	Dimensions (mm)			Basic Load Rating (N)		Limiting speed ( r/min )		Weight (kg)
		d	D	B	Dyn. C	Stat. C <sub>0</sub>	Lubrication		
							Grease	Oil	
N202	2202	15	35	11	13500	11600	20000	23000	0.047
N203	2203	17	40	12	14800	12100	18000	21000	0.067
N204	2204	20	47	14	15400	12700	15000	18000	0.108
N2204	2504	20	47	18	30800	30000	12000	16000	0.150
N205	2205	25	52	15	17700	15700	13000	16000	0.132
N2205	2505	25	52	18	32800	33800	11000	14000	0.170
N206	2206	30	62	16	23500	21500	11000	13000	0.200
N2206	2506	30	62	20	45500	48000	8500	11000	0.270
N207	2207	35	72	17	33600	31500	9500	11000	0.293
N2207	2507	35	72	23	57500	63000	7500	9500	0.410
N208	2208	40	80	18	43800	42900	8300	10000	0.366
N2208	2508	40	80	23	67500	75200	7000	9000	0.510
N209	2209	45	85	19	46100	46900	7700	9200	0.427
N2209	2509	45	85	23	71000	82000	6300	8000	0.550
N210	2210	50	90	20	48200	51000	7100	8500	0.479
N2210	2510	50	90	23	73200	88800	6000	7500	0.590
N211	2211	55	100	21	58000	62300	6400	7700	0.640
N2211	2511	55	100	25	94800	118000	5300	6700	0.810
N212	2212	60	110	22	71900	79900	5800	7000	0.823
N213	2213	65	120	23	83800	94400	5400	6400	1.050
N214	2214	70	125	24	83300	95200	5100	6100	1.150
N215	2215	75	130	25	101000	118000	4800	5800	1.240
N216	2216	80	140	26	106000	122000	4500	5400	1.510
N217	2217	85	150	28	121000	140000	4200	5000	1.900
N218	2218	90	160	30	152000	178000	3900	4700	2.280
N219	2219	95	170	32	165000	195000	3700	4400	2.800
N220	2220	100	180	34	183000	217000	3500	4200	3.380
N2220	2520	100	180	46	334000	444000	3100	4200	4.820
N222	2222	110	200	38	241000	290000	3100	3700	4.650
N2222	2522	110	200	53	384000	517000	2800	3700	6.930
N224	2224	120	215	40	260000	318000	2900	3400	5.650
N2224	2524	120	215	58	452000	619000	2600	3400	8.560
N226	2226	130	230	40	282000	362000	2700	3200	6.490
N2226	2526	130	230	64	530000	737000	2400	3200	11.200
N228	2228	140	250	42	324000	421000	2400	2900	8.270
N2228	2528	140	250	68	572000	835000	2200	2900	14.300
N230	2230	150	270	45	374000	492000	2200	2700	10.300
N2230	2530	150	270	73	662000	982000	2000	2600	18.700
N232	2232	160	290	48	427000	568000	2100	2500	14.400
N234	2234	170	310	52	475000	637000	1900	2300	18.400
N236	2236	180	320	52	492000	677000	1800	2200	19.300
N304	2304	20	52	15	23100	19200	12000	16000	0.147
N305	2305	25	62	17	29300	25200	10000	14000	0.241

ISO	GOST	Dimensions (mm)			Basic Load Rating (N)		Limiting speed ( r/min )		Weight (kg)
		d	D	B	Dyn. C	Stat. C <sub>0</sub>	Lubrication		
							Grease	Oil	
N2305	2605	25	62	24	53200	54500	9000	12000	0.360
N306	2306	30	72	19	38600	35200	8700	12000	0.403
N2306	2606	30	72	27	70000	75500	8000	10000	0.540
N307	2307	35	80	21	49600	46900	7900	10000	0.477
N2307	2607	35	80	31	87500	98200	7000	9000	0.740
N308	2308	40	90	23	58600	56900	6900	9100	0.657
N2308	2608	40	90	33	105000	118000	6300	8000	1.000
N309	2309	45	100	25	78800	77500	6200	8300	0.870
N2309	2609	45	100	36	130000	152000	5600	7000	1.340
N310	2310	50	110	27	92200	93400	5600	7500	1.200
N2310	2610	50	110	40	155000	185000	5300	6700	1.150
N311	2311	55	120	29	110000	110000	5100	6800	1.440
N2311	2611	55	120	43	190000	228000	4800	6000	2.300
N312	2312	60	130	31	124000	126000	4700	6300	1.830
N2312	2612	60	130	46	239000	269000	5600	6700	2.770
N313	2313	65	140	33	137000	139000	4300	5800	2.240
N2313	2613	65	140	48	275000	315000	5300	6000	3.510
N314	2314	70	150	35	162000	168000	4000	5400	2.730
N2314	2614	70	150	51	234000	358000	4800	5600	3.860
N315	2315	75	160	37	194000	205000	3800	5000	3.240
N2315	2615	75	160	55	365000	391000	4500	5300	4.570
N316	2316	80	170	39	194000	207000	3500	4700	3.920
N2316	2616	80	170	58	497000	325000	4300	5000	6.300
N317	2317	85	180	41	225000	247000	3300	4500	4.520
N2317	2617	85	180	60	441000	473000	4000	4800	8.000
N318	2318	90	190	43	243000	265000	3100	4200	5.380
N2318	2618	90	190	64	475000	505000	3800	4500	8.690
N319	2319	95	200	45	277000	311000	3000	4000	6.200
N2319	2620	95	200	67	501000	532000	3600	4300	9.520
N320	2320	100	215	47	323000	337000	2800	3700	7.700
N2320	2620	100	215	73	570000	717000	2400	3600	12.100
N330	2330	150	320	65	663000	807000	1800	2300	26.400
N2330	2630	150	320	108	1180000	1600000	1400	2100	44.700



ISO	GOST	Dimensions (mm)			Basic Load Rating (N)		Limiting speed ( r/min )		Weight (kg)
		d	D	B	Dyn. C	Stat. C <sub>0</sub>	Lubrication		
							Grease	Oil	
NF202	12202	15	35	11	13500	11600	20000	23000	0.051
NF203	12203	17	40	12	14800	12100	18000	21000	0.072
NF204	12204	20	47	14	15400	12700	15000	18000	0.117
NF205	12205	25	52	15	17700	15700	13000	16000	0.142
NF206	12206	30	62	16	23500	21500	11000	13000	0.216
NF207	12207	35	72	17	33600	31500	9500	10000	0.317
NF2207	12507	35	72	23	37100	39200	7500	9500	0.324
NF208	12208	40	80	18	43800	42900	8300	10000	0.395
NF209	12209	45	85	19	46100	46900	7700	9200	0.461
NF210	12210	50	90	20	48200	51000	7100	8500	0.517
NF211	12211	55	100	21	58000	62300	6400	7700	0.690
NF212	12212	60	110	22	71900	79900	5800	7000	0.888
NF213	12213	65	120	23	83800	94400	5400	6400	1.132
NF214	12214	70	125	24	83300	95200	5100	6100	1.241
NF215	12215	75	130	25	101000	118000	4800	5800	1.338
NF216	12216	80	140	26	106000	122000	4500	5400	1.628
NF217	12217	85	150	28	121000	140000	4200	5000	2.050
NF218	12218	90	160	30	152000	178000	3900	4700	2.460
NF219	12219	95	170	32	165000	195000	3700	4400	3.020
NF220	12220	100	180	34	183000	217000	3500	4200	3.650
NF221	12221	105	190	36	201000	241000	3300	3900	4.310
NF222	12222	110	200	38	241000	290000	3100	3700	5.010
NF228	12228	140	250	42	324000	421000	2400	2900	8.900
NF230	12230	150	270	45	374000	492000	2200	2700	11.000
NF304	12304	20	52	15	23100	19200	12000	16000	0.158
NF305	12305	25	62	17	29300	25200	10000	14000	0.260
NF2305	12605	25	62	24	38500	39200	9000	12000	0.370
NF306	12306	30	72	19	38600	35200	8700	12000	0.387
NF2306	12606	30	72	27	46500	47500	8000	10000	0.600
NF307	12307	35	80	21	49600	46900	7900	10000	0.515
NF2307	12607	35	80	31	54800	57000	7000	9000	0.850
NF308	12308	40	90	23	58600	56900	6900	9100	0.709
NF2308	12608	40	90	33	70800	76800	6300	8000	1.100
NF309	12309	45	100	25	78800	77500	6200	8300	0.938
NF2309	12609	45	100	36	91500	100000	5600	7000	1.500
NF310	12310	50	110	27	92200	93400	5600	7500	1.241
NF2310	12610	50	110	40	112000	132000	5300	6700	1.900
NF311	12311	55	120	29	111000	111000	5100	6800	1.553
NF2311	12611	55	120	43	130000	148000	4800	6500	2.400
NF312	12312	60	130	31	124000	126000	4700	6300	1.970
NF313	12313	65	140	33	137000	139000	4300	5800	2.410
NF314	12314	70	150	35	162000	168000	4000	5400	2.940
NF315	12315	75	160	37	194000	205000	3800	5000	3.500

ISO	GOST	Dimensions (mm)			Basic Load Rating (N)		Limiting speed ( r/min )		Weight (kg)
		d	D	B	Dyn. C	Stat. C <sub>0</sub>	Lubrication		
							Grease	Oil	
NF316	12316	80	170	39	195000	207000	3500	4700	4.230
NF317	12317	85	180	41	225000	247000	3300	4500	4.880
NF318	12318	90	190	43	243000	265000	3100	4200	5.810
NF319	12319	95	200	45	277000	311000	3000	4000	6.690
NF320	12320	100	215	47	323000	337000	2800	3700	8.300
NF321	12321	105	225	49	366000	417000	2600	3500	8.760
NF322	12322	110	240	50	352000	428000	2000	2800	9.460
NF324	12324	120	260	55	458000	551000	2200	3000	14.130
NF326	12326	130	280	58	564000	667000	2100	2700	17.700
NF328	12328	140	300	62	623000	746000	1900	2500	21.600
NF330	12330	150	320	65	663000	807000	1800	2300	28.500
NF332	12332	160	340	68	698000	876000	1600	2200	31.700
NF406	12406	30	90	23	62800	55000	7600	10000	0.75
NF407	12407	35	100	25	75200	68900	6600	8800	1.10
NF408	12408	40	110	27	97100	89100	6000	8000	1.41
NF409	12409	45	120	29	115000	112000	5400	7200	1.77
NF410	12410	50	130	31	139000	136000	4900	6600	2.17
NF411	12411	55	140	33	142000	138000	4600	6100	2.71
NF412	12412	60	150	35	178000	184000	4200	5700	3.26
NF413	12413	65	160	37	198000	203000	4000	5300	3.86
NF414	12414	70	180	42	246000	257000	3500	4700	5.68
NF415	12415	75	190	45	265000	274000	3300	4400	6.74
NF416	12416	80	200	48	302000	315000	3100	4200	7.85
NF417	12417	85	210	52	340000	350000	3000	4000	9.36
NF418	12418	90	225	54	374000	400000	2800	3700	11.11
NF419	12419	95	240	55	410000	444000	2600	3400	14.67
NF420	12420	100	250	58	458000	498000	2500	3300	15.10
NF421	12421	105	260	60	471000	510000	2400	3100	20.61
NF422	12422	110	280	65	550000	621000	2200	2900	21.47
NF424	12424	120	310	72	690000	770000	1900	2600	30.16
NF426	12426	130	340	78	771000	876000	1800	2300	39.00
NF428	12428	140	360	82	874000	1020000	1600	2200	50.50
NF430	12430	150	380	85	930000	1120000	1500	2000	57.40



NU

NU (S)

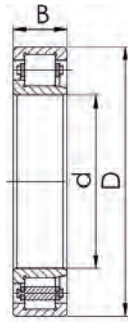
NU (M)

ISO	GOST	Dimensions (mm)			Basic Load Rating (N)		Limiting speed ( r/min )		Weight (kg)
		d	D	B	Dyn. C	Stat. C <sub>0</sub>	Lubrication		
							Grease	Oil	
NU1006	32106	30	55	13	18700	18400	13000	15000	0.12
NU1007	32107	35	62	14	22600	23200	11000	13000	0.18
NU1008	32108	40	68	15	24900	25700	10000	12000	0.22
NU1009	32109	45	75	16	31000	33800	9200	11000	0.29
NU1010	32110	50	80	16	33600	36800	8400	9900	0.31
NU1011	32111	55	90	18	37400	43800	7600	8900	0.45
NU1012	32112	60	95	18	42100	50000	7000	8300	0.48
NU1013	32113	65	100	18	43300	52900	6600	7800	0.51
NU1014	32114	70	110	20	57900	70400	6100	7200	0.70
NU1015	32115	75	115	20	63600	78100	5700	6800	0.74
NU1016	32116	80	125	22	69300	86400	5300	6300	1.00
NU1017	32117	85	130	22	71400	91200	5100	6000	1.04
NU1018	32118	90	140	24	84700	109000	4700	5600	1.34
NU1019	32119	95	145	24	87200	115000	4600	5300	1.40
NU1020	32120	100	150	24	91000	120000	4300	5100	1.46
NU1021	32121	105	160	26	108000	149000	4100	4800	1.85
NU1022	32122	110	170	28	134000	171000	3900	4500	2.31
NU1024	32124	120	180	28	137000	181000	3500	4200	2.47
NU1026	32126	130	200	33	171000	238000	3200	3800	3.77
NU1028	32128	140	210	33	175000	250000	3000	3600	4.00
NU1030	32130	150	225	35	201000	281000	2800	3300	4.83
NU1032	32132	160	240	38	236000	330000	2600	3000	5.93
NU1034	32134	170	260	42	276000	400000	2400	2800	7.90
NU1036	32136	180	280	46	356000	503000	2200	2600	10.50
NU1038	32138	190	290	46	366000	530000	2100	2500	10.90
NU1040	32140	200	310	51	388000	582000	1900	2300	14.10
NU1044	32144	220	340	56	507000	748000	1700	2000	18.50
NU202	32202	15	35	11	12700	10400	19000	22000	0.05
NU203	32203	17	40	12	17600	14600	17000	20000	0.07
NU2203	32503	17	40	16	24000	22000	16000	18500	0.09
NU204	32204	20	47	14	25700	22600	15000	18000	0.11
NU2204	32504	20	47	18	30600	28300	13000	18000	0.15
NU205	32205	25	52	15	29300	27700	13000	15000	0.14
NU2205	32505	25	52	18	34900	34600	12000	15000	0.17
NU206	32206	30	62	16	39100	37400	11000	13000	0.21
NU2206	32506	30	62	20	48900	49800	9700	13000	0.26
NU207	32207	35	72	17	50200	50200	9300	11000	0.31
NU2207	32507	35	72	23	61600	65300	8300	11000	0.40
NU208	32208	40	80	18	55700	55400	8300	9900	0.38
NU2208	32508	40	80	23	72300	77600	7400	9900	0.49
NU209	32209	45	85	19	63100	66400	7600	9200	0.44
NU2209	32509	45	85	23	76100	84600	6900	9200	0.54
NU210	32210	50	90	20	66100	71900	7100	8500	0.50

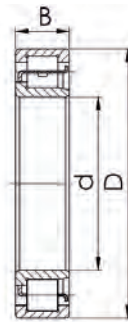


ISO	GOST	Dimensions (mm)			Basic Load Rating (N)		Limiting speed ( r/min )		Weight (kg)
		d	D	B	Dyn. C	Stat. C <sub>0</sub>	Lubrication		
							Grease	Oil	
NU2210	32510	50	90	23	79700	91500	6400	8500	0.58
NU211	32211	55	100	21	86400	98700	6400	7700	0.65
NU2211	32511	55	100	25	101000	122000	5800	7700	0.81
NU212	32212	60	110	22	97700	107000	5800	6900	0.83
NU2212	32512	60	110	28	131000	157000	5200	6900	1.1
NU213	32213	65	120	23	108000	119000	5300	6400	1.05
NU2213	32513	65	120	31	149000	181000	4800	6400	1.45
NU214	32214	70	125	24	119000	137000	5000	6000	1.16
NU2214	32514	70	125	31	156000	194000	4500	6000	1.53
NU215	32215	75	130	25	130000	156000	4800	5700	1.29
NU2215	32515	75	130	31	162000	207000	4300	5700	1.61
NU216	32216	80	140	26	139000	167000	4400	5300	1.56
NU2216	32516	80	140	33	186000	243000	4000	5300	2.03
NU217	32217	85	150	28	167000	199000	4200	5000	1.94
NU2217	32517	85	150	36	218000	279000	3700	5000	2.53
NU218	32218	90	160	30	182000	217000	3900	4700	2.38
NU2218	32518	90	160	40	242000	314000	3500	4700	3.21
NU219	32219	95	170	32	221000	265000	3700	4400	2.92
NU2219	32519	95	170	43	287000	371000	3300	4400	3.93
NU220	32220	100	180	34	250000	306000	3500	4200	3.52
NU2220	32520	100	180	46	334000	444000	3100	4200	4.82
NU221	32221	105	190	36	201000	241000	3300	3900	4
NU222	32222	110	200	38	293000	365000	3100	3700	4.9
NU2222	32522	110	200	53	384000	517000	2800	3700	6.93
NU224	32224	120	215	40	336000	421000	2800	3400	5.85
NU2224	32524	120	215	58	452000	619000	2600	3400	8.56
NU226	32226	130	230	40	364000	453000	2600	3200	6.60
NU2226	32526	130	230	64	530000	737000	2400	3200	11.20
NU228	32228	140	250	42	392000	514000	2400	2900	8.50
NU2228	32528	140	250	68	572000	835000	2200	2900	14.30
NU230	32230	150	270	45	448000	594000	2200	2600	10.70
NU2230	32530	150	270	73	662000	982000	2000	2600	18.70
NU232	32232	160	290	48	498000	666000	2000	2400	14.80
NU2232	32530	160	290	80	809000	1190000	1800	2400	26.60
NU234	32334	170	310	52	603000	802000	1900	2000	18.60
NU2234	32534	170	310	86	967000	1410000	1700	2200	29.20
NU236	32236	180	320	52	626000	852000	1800	2100	19.30
NU2236	32536	180	320	86	1010000	1510000	1600	2100	30.40
NU238	32238	190	340	55	694000	954000	1700	2000	23.30
NU2238	32538	190	340	92	1100000	1670000	1500	2000	37.00
NU240	32240	200	360	58	766000	1060000	1600	1900	27.20
NU2240	32540	200	360	98	1220000	1870000	1400	1900	44.40
NU244	32244	220	400	65	766000	1080000	1400	1700	38.50
NU2244	32544	220	400	108	1130000	1810000	1200	1700	60.90
NU303	32303	17	47	14	25500	21200	14000	17000	0.15
NU304	32304	20	52	15	31500	26900	12000	16000	0.15
NU2304	32604	20	52	21	42000	38800	11000	16000	0.21
NU305	32305	25	62	17	41600	37400	10000	14000	0.24
NU2305	32605	25	62	24	57000	56100	9100	14000	0.35
NU306	32306	30	72	19	53100	50200	8700	12000	0.36
NU2306	32606	30	72	27	74600	77600	7800	12000	0.53
NU307	32307	35	80	21	66600	65400	7700	10000	0.48
NU2307	32607	35	80	31	93100	101000	6900	10000	0.73
NU308	32308	40	90	23	83100	81500	6800	9100	0.66
NU2308	32608	40	90	33	114000	122000	6100	9100	0.96
NU309	32309	45	100	25	97400	98300	6100	8200	0.91
NU2309	32609	45	100	36	137000	153000	5400	8200	1.32
NU310	32310	50	110	27	110000	113000	5500	7400	1.15
NU2310	32610	50	110	40	163000	187000	4900	7400	1.76

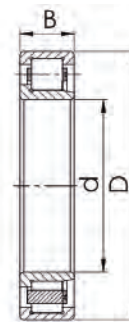
ISO	GOST	Dimensions (mm)			Basic Load Rating (N)		Limiting speed ( r/min )		Weight (kg)
		d	D	B	Dyn. C	Stat. C <sub>0</sub>	Lubrication		
							Grease	Oil	
NU311	32311	55	120	29	137000	143000	5100	6700	1.50
NU2311	32611	55	120	43	201000	233000	4500	6700	2.25
NU312	32312	60	130	31	150000	157000	4600	6200	1.87
NU2312	32612	60	130	46	223000	262000	4100	6200	2.81
NU313	32313	65	140	33	181000	191000	4300	5700	2.31
NU2313	32613	65	140	48	251000	287000	3800	5700	3.36
NU314	32314	70	150	35	205000	222000	4000	5300	2.81
NU2314	32614	70	150	51	275000	323000	3600	5300	4.08
NU315	32315	75	160	37	240000	263000	3700	5000	3.37
NU2315	32615	75	160	55	329000	395000	3300	5000	5.00
NU316	32316	80	170	39	259000	282000	3500	4700	4.00
NU2316	32616	80	170	58	361000	431000	3100	4700	5.95
NU317	32317	85	180	41	291000	330000	3300	4400	4.80
NU2317	32617	85	180	60	394000	485000	2900	4400	6.98
NU318	32318	90	190	43	316000	355000	3100	4100	5.47
NU2318	32618	90	190	64	437000	534000	2800	4100	8.12
NU319	32319	95	200	45	334000	387000	2900	3900	6.42
NU2319	32619	95	200	67	394000	469000	2600	4000	9.39
NU320	32320	100	215	47	379000	424000	2700	3600	7.75
NU2320	32620	100	215	73	570000	717000	2400	3600	12.10
NU321	32321	105	225	49	440000	500000	2600	3500	8.76
NU322	32322	110	240	50	451000	525000	2400	3200	10.70
NU2322	32622	110	240	80	680000	880000	22	3400	18.90
NU324	32324	120	260	55	528000	610000	2200	3000	13.40
NU2324	32624	120	260	86	793000	1030000	2000	3000	23.10
NU326	32326	130	280	58	616000	736000	2000	2700	16.70
NU2326	32626	130	280	93	920000	1230000	1800	2700	29.10
NU328	32328	140	300	62	663000	797000	1900	2500	20.40
NU2328	32628	140	300	102	1020000	1380000	1700	2500	36.80
NU330	32330	150	320	65	757000	922000	1700	2300	27.00
NU2330	32630	150	320	108	1180000	1600000	1500	2300	44.70
NU332	32332	160	340	68	857000	1050000	1600	2100	32.00
NU2332	32632	160	340	114	1310000	1820000	1400	2100	53.10
NU334	32334	170	361	73	809000	1010000	1500	2000	38.60
NU2334	32634	170	360	120	1220000	1750000	1300	2000	62.60
NU336	32336	180	380	75	917000	1150000	1400	1900	42.60
NU2336	32636	180	380	126	1350000	1940000	1300	1900	73.00
NU406	32406	30	90	23	62800	55000	7600	10000	0.753
NU407	32407	35	100	25	75200	68900	6600	8800	1.02
NU408	32408	40	110	27	97100	89100	6000	8000	1.3
NU409	32409	45	120	29	115000	112000	5400	7200	1.64
NU410	32410	50	130	31	139000	136000	4900	6600	2.01
NU411	32411	55	140	33	142000	138000	4600	6100	2.51
NU412	32412	60	150	35	178000	184000	4200	5700	3.02
NU413	32413	65	160	37	198000	203000	4000	5300	3.58
NU414	32414	70	180	42	246000	257000	3500	4700	5.26
NU415	32415	75	190	45	265000	274000	3300	4400	6.25
NU416	32416	80	200	48	302000	315000	3100	4200	7.28
NU417	32417	85	210	52	340000	350000	3000	4000	8.68
NU418	32418	90	225	54	374000	400000	2800	3700	10.3
NU419	32419	95	240	55	410000	444000	2600	3400	13.6
NU420	32420	100	250	58	458000	498000	2500	3300	14
NU422	32422	110	280	65	550000	621000	2200	2900	19.9
NU424	32424	120	310	72	690000	770000	1900	2600	28
NU426	32426	130	340	78	771000	876000	1800	2300	36.1
NU428	34328	140	360	82	874000	1020000	1600	2200	46.8
NU430	32430	150	380	85	930000	1120000	1500	2000	53.3



NJ



NJ (S)

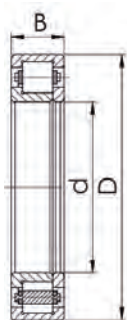


NJ (M)

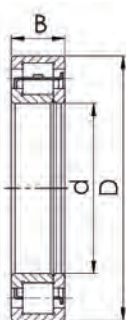
ISO	GOST	Dimensions (mm)			Basic Load Rating (N)		Limiting speed ( r/min )		Weight (kg)
		d	D	B	Dyn. C	Stat. C <sub>0</sub>	Lubrication		
							Grease	Oil	
NJ1006	42106	30	55	13	18700	18400	13000	15000	0.124
NJ1007	42107	35	62	14	22600	23200	11000	13000	0.187
NJ1008	42108	40	68	15	24900	25700	10000	12000	0.229
NJ1009	42109	45	75	16	31000	33800	9200	11000	0.297
NJ1010	42110	50	80	16	33600	36800	8400	9900	0.314
NJ1011	42111	55	90	18	37400	43800	7600	8900	4.57
NJ1012	42112	60	95	18	42100	50000	7000	8300	0.49
NJ1013	42113	65	100	18	43300	52900	6600	7800	0.519
NJ1014	42114	70	110	20	57900	70400	6100	7200	0.72
NJ1015	42115	75	115	20	63600	78100	5700	6800	0.75
NJ1016	42116	80	125	22	69300	86400	5300	6300	1.02
NJ1017	42117	85	130	22	71400	91200	5100	6000	1.07
NJ1018	42118	90	140	24	84700	109000	4700	5600	1.38
NJ1019	42119	95	145	24	87200	115000	4500	5300	1.44
NJ1020	42120	100	150	24	91000	120000	4300	5100	1.5
NJ1022	42122	110	170	28	134000	171000	3800	4500	2.37
NJ1024	42124	120	180	28	137000	181000	3500	4200	2.53
NJ1026	42126	130	200	33	171000	238000	3200	3800	3.87
NJ1028	42128	140	210	33	175000	250000	3000	3600	4.11
NJ1030	42130	150	225	35	201000	281000	2800	3300	4.96
NJ203	42203	17	40	12	17600	14600	17000	20000	0.071
NJ202	42202	15	35	11	12700	10400	19000	22000	0.049
NJ204	42204	20	47	14	25700	22600	15000	18000	0.115
NJ2204	42504	20	47	18	30600	28300	13000	18000	0.150
NJ205	42205	25	52	15	29300	27700	13000	15000	0.142
NJ2205	42505	25	52	18	34900	34600	12000	15000	0.170
NJ206	42206	30	62	16	39100	37400	11000	13000	0.214
NJ2206	42506	30	62	20	48900	49800	9700	13000	0.269
NJ207	42207	35	72	17	50200	50200	9300	11000	0.314
NJ2207	42507	35	72	23	61600	65300	8300	11000	0.415
NJ208	42208	40	80	18	55700	55400	8300	9900	0.394
NJ2208	42508	40	80	23	72300	77600	7400	9900	0.503
NJ209	42209	45	85	19	63100	66400	7600	9200	0.451
NJ2209	42509	45	85	23	76100	84600	6900	9200	0.550
NJ210	42210	50	90	20	66100	71900	7100	8500	0.510
NJ2210	42510	50	90	23	79700	91500	6400	8500	0.595
NJ211	42211	55	100	21	86400	98700	6400	7700	0.667
NJ2211	42511	55	100	25	101000	122000	5800	7700	0.827
NJ212	42212	60	110	22	97700	107000	5800	6900	0.852
NJ2212	42512	60	110	28	131000	157000	5200	6900	1.119
NJ213	42213	65	120	23	108000	119000	5300	6400	1.078
NJ2213	42513	65	120	31	149000	181000	4800	6400	1.488
NJ214	42214	70	125	24	119000	137000	5000	6000	1.190

ISO	GOST	Dimensions (mm)			Basic Load Rating (N)		Limiting speed ( r/min )		Weight (kg)
		d	D	B	Dyn. C	Stat. C <sub>0</sub>	Lubrication		
							Grease	Oil	
NJ2214	42514	70	125	31	156000	194000	4500	6000	1.570
NJ215	42215	75	130	25	130000	156000	4800	5700	1.320
NJ2215	42515	75	130	31	162000	207000	4300	5700	1.650
NJ216	42216	80	140	26	139000	167000	4400	5300	1.600
NJ2216	42516	80	140	33	186000	243000	4000	5300	2.080
NJ217	42217	85	150	28	167000	199000	4200	5000	2.010
NJ2217	42517	85	150	36	218000	279000	3700	5000	2.620
NJ218	42218	90	160	30	182000	217000	3900	4700	2.450
NJ2218	42518	90	160	40	232000	314000	3500	4700	3.310
NJ219	42219	95	170	42	221000	265000	3700	4400	3.050
NJ2219	42519	95	170	43	287000	371000	3300	4400	4.000
NJ220	42220	100	180	34	250000	306000	3500	4200	3.650
NJ2220	42520	100	180	46	334000	444000	3100	4200	4.990
NJ221	42221	105	190	36	201000	241000	3300	3900	4.140
NJ222	42222	110	200	38	293000	365000	3100	3700	5.060
NJ2222	42522	110	200	53	384000	517000	2800	3700	7.150
NJ224	42224	120	215	40	336000	421000	2800	3400	6.110
NJ2224	42524	120	215	58	452000	619000	2600	3400	9.300
NJ226	42226	130	230	40	364000	453000	2600	3200	6.780
NJ2226	42526	130	230	64	530000	737000	2400	3200	11.550
NJ228	42228	140	250	42	392000	514000	2400	2900	8.770
NJ2228	42528	140	250	68	572000	835000	2200	2900	14.700
NJ230	42230	150	270	45	448000	594000	2200	2600	10.990
NJ2230	42530	150	270	73	662000	982000	2000	2600	19.500
NJ232	42232	160	290	48	498000	666000	2000	2400	15.300
NJ2232	42532	160	290	80	809000	1190000	1800	2400	24.400
NJ234	42234	170	310	52	603000	802000	1900	2200	19.300
NJ2234	42534	170	310	86	967000	1410000	1700	2200	30.000
NJ236	42236	180	320	52	626000	852000	1800	2100	20.100
NJ2236	42536	180	320	86	1010000	1510000	1600	2100	32.000
NJ305	42305	25	62	17	38500	35800	9000	12000	0.25
NJ2305	42605	25	62	24	53200	54500	9000	12000	0.36
NJ306	42306	30	72	19	49200	48200	8000	10000	0.38
NJ2306	42606	30	72	27	70000	75500	8000	10000	0.54
NJ307	42307	35	80	21	62200	64200	7000	9000	0.50
NJ2307	42607	35	80	31	87500	98200	7000	9000	0.74
NJ308	42308	40	90	23	76800	77800	6300	8000	0.68
NJ2308	42608	40	90	33	105000	118000	6300	8000	1.00
NJ309	42309	45	100	25	93000	98000	5600	7000	0.93
NJ2309	42609	45	100	36	130000	152000	5600	7000	1.34
NJ310	42310	50	110	27	105000	112000	5300	6700	1.20
NJ2310	42610	50	110	40	155000	185000	5300	6700	1.79
NJ311	42311	55	120	29	128000	138000	4800	6400	1.53
NJ2311	42611	55	120	43	190000	228000	4800	6400	2.30
NJ312	42312	60	130	31	150000	157000	4600	6200	1.92
NJ2312	42612	60	130	46	223000	262000	4100	6200	2.90
NJ313	42313	65	140	33	181000	191000	4300	5700	2.38
NJ2313	42613	65	140	48	251000	287000	3800	5700	3.47
NJ314	42314	70	150	35	205000	222000	4000	5300	2.90
NJ2314	42614	70	150	51	275000	323000	3600	5300	4.21
NJ315	42315	75	160	37	240000	263000	3700	5000	3.48
NJ2315	42615	75	160	35	329000	395000	3300	5000	5.15
NJ316	42316	80	170	39	259000	282000	3500	4700	4.15
NJ2316	42616	80	170	58	361000	431000	3100	4700	6.14
NJ317	42317	85	180	41	291000	330000	3300	4400	4.97
NJ2317	42617	85	180	60	384000	485000	2900	4400	7.20
NJ318	42318	90	160	43	316000	355000	3100	4100	5.65
NJ2318	42618	90	160	64	437000	534000	2800	4100	8.33
NJ319	42319	95	200	45	334000	387000	2900	3900	6.60

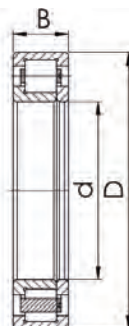
ISO	GOST	Dimensions (mm)			Basic Load Rating (N)		Limiting speed ( r/min )		Weight (kg)
		d	D	B	Dyn. C	Stat. C <sub>0</sub>	Lubrication		
							Grease	Oil	
NJ2319	42619	95	200	67	394000	469000	2600	4000	9.67
NJ320	42320	100	215	47	379000	424000	2700	3600	7.99
NJ2320	42620	100	215	73	570000	717000	2400	3600	12.50
NJ322	42322	110	240	50	451000	525000	2400	3200	11.10
NJ2322	42622	110	240	80	680000	880000	2200	3200	19.50
NJ324	42324	120	260	55	528000	610000	2200	3000	14.00
NJ2324	42624	120	260	86	793000	1030000	2000	3000	23.80
NJ326	42326	130	280	58	616000	736000	2000	2700	17.20
NJ2326	42626	130	280	93	920000	1230000	1800	2700	29.90
NJ328	42328	140	300	62	663000	797000	1900	2500	21.10
NJ2328	42628	140	300	102	1020000	1380000	1700	2500	37.90
NJ330	42330	150	320	65	757000	922000	1700	2300	27.70
NJ2330	42630	150	320	108	1180000	1600000	1500	2300	46.20
NJ332	42332	160	340	68	857000	1050000	1600	2100	32.90
NJ2332	42632	160	340	114	1310000	1820000	1400	2100	55.00
NJ334	42334	170	361	73	809000	1010000	1400	2000	40.10
NJ2334	42634	170	360	120	1220000	1750000	1300	2000	65.50
NJ336	42336	180	380	75	835000	1100000	1200	1600	43.80
NJ2336	42636	180	380	126	1210000	1780000	1200	1600	75.00
NJ340	42340	200	420	80	972000	1290000	1000	1400	58.00
NJ344	42344	220	460	88	1080000	1465000	900	1200	77.00
NJ406	42406	30	90	23	62800	55000	7600	10000	0.773
NJ407	42407	35	100	25	75200	68900	6600	8800	1.047
NJ408	42408	40	110	27	97100	89100	6000	8000	1.334
NJ409	42409	45	120	29	115000	112000	5400	7200	1.683
NJ410	42410	50	130	31	139000	136000	4900	6600	2.063
NJ411	42411	55	140	33	142000	138000	4600	6100	2.576
NJ412	42412	60	150	35	178000	184000	4200	5700	3.099
NJ413	42413	65	160	37	198000	203000	4000	5300	3.67
NJ414	42414	70	180	42	246000	257000	3500	4700	5.4
NJ415	42415	75	190	45	265000	274000	3300	4400	6.41
NJ416	42416	80	200	48	302000	315000	3100	4200	7.47
NJ417	42417	85	210	52	340000	350000	3000	4000	8.91
NJ418	42418	90	225	54	374000	400000	2800	3700	10.57
NJ419	42419	95	240	55	410000	444000	2600	3400	13.96
NJ420	42420	100	250	58	458000	498000	2500	3300	14.37
NJ422	42422	110	280	65	550000	621000	2200	2900	20.32
NJ424	42424	120	310	72	690000	770000	1900	2600	28.74
NJ426	42426	130	340	78	771000	876000	1800	2300	37.05
NJ428	42428	140	360	82	874000	1020000	1600	2200	48.03
NJ430	42430	150	380	85	930000	1120000	1500	2000	54.7



NUP



NUP (S)

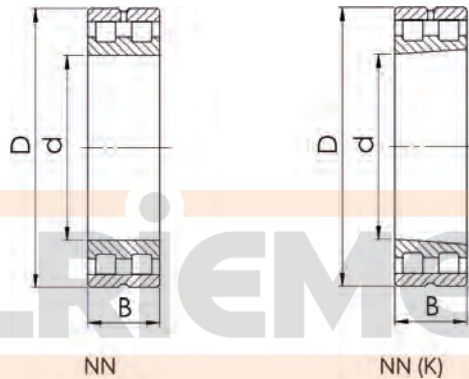


NUP (M)

ISO	GOST	Dimensions (mm)			Basic Load Rating (N)		Limiting speed ( r/min )		Weight (kg)
		d	D	B	Dyn. C	Stat. C <sub>0</sub>	Lubrication		
							Grease	Oil	
NUP203	92203	17	40	12	17600	14600	17000	20000	0.073
NUP204	92204	20	47	14	25800	22600	15000	18000	0.118
NUP2204	92504	20	47	18	30600	28300	13000	18000	0.154
NUP205	92205	25	52	15	29300	27700	13000	15000	0.146
NUP2205	92505	25	52	18	34900	34600	12000	15000	0.174
NUP206	92206	30	62	16	39100	37400	11000	13000	0.220
NUP2206	92506	30	62	20	48900	49800	9700	13000	0.276
NUP207	92207	35	72	17	50200	50200	9300	11000	0.322
NUP2207	92507	35	72	23	57500	63000	7500	9500	0.426
NUP208	92208	40	80	18	55700	55400	8300	9900	0.404
NUP2208	92508	40	80	23	72300	77600	7400	9900	0.516
NUP209	92209	45	85	19	63100	66400	7600	9200	0.463
NUP2209	92509	45	85	23	76100	84600	6900	9200	0.564
NUP210	92210	50	90	20	66100	71900	7100	8500	0.523
NUP2210	92510	50	90	23	79700	91500	6400	8500	0.610
NUP211	92211	55	100	21	86400	98700	6400	7700	0.684
NUP2211	92511	55	100	25	101000	122000	5800	7700	0.849
NUP212	92212	60	110	22	97700	107000	5800	6900	0.874
NUP2212	92512	60	110	28	131000	157000	5200	6900	1.148
NUP213	92213	65	120	23	108000	119000	5300	6400	1.106
NUP2213	92513	65	120	31	149000	181000	4800	6400	1.527
NUP214	92214	70	125	24	119000	137000	5000	6000	1.220
NUP2214	92514	70	125	31	156000	194000	4500	6000	1.610
NUP215	92215	75	130	25	130000	156000	4800	5700	1.350
NUP2215	92515	75	130	31	162000	207000	4300	5700	1.690
NUP216	92216	80	140	26	139000	167000	4400	5300	1.640
NUP2216	92516	80	140	33	186000	243000	4000	5300	2.130
NUP217	92217	85	150	28	167000	199000	4200	5000	2.040
NUP2217	92517	85	150	36	218000	279000	3700	5000	2.670
NUP218	92218	90	160	30	182000	217000	3900	4700	2.500
NUP2218	92518	90	160	40	242000	314000	3500	4700	3.380
NUP219	92219	95	170	32	221000	265000	3700	4400	3.080
NUP2219	92519	95	170	43	287000	371000	3300	4400	4.130
NUP220	92220	100	180	34	250000	306000	3500	4200	3.700
NUP2220	92520	100	180	46	334000	444000	3100	4200	5.080
NUP222	92222	110	200	38	293000	365000	3100	3700	5.160
NUP2222	92522	110	200	53	384000	517000	2800	3700	7.290
NUP224	92224	120	215	40	336000	421000	2800	3400	6.160
NUP2224	92524	120	215	58	452000	619000	2600	3400	9.020
NUP226	92226	130	230	40	364000	453000	2600	3200	6.950
NUP2226	92526	130	230	64	530000	737000	2400	3200	11.790
NUP228	92228	140	250	42	392000	514000	2400	2900	8.950
NUP2228	92528	140	250	68	572000	835000	2200	2900	15.060

ISO	GOST	Dimensions (mm)			Basic Load Rating (N)		Limiting speed ( r/min )		Weight (kg)
							Lubrication		
		d	D	B	Dyn. C	Stat. C <sub>0</sub>	Grease	Oil	
NUP230	92230	150	270	45	448000	594000	2200	2600	11.270
NUP2230	92530	150	270	73	662000	982000	2000	2600	19.690
NUP236	92236	180	320	52	626000	852000	1800	2100	20.33
NUP240	92240	200	360	58	766000	1060000	1600	1900	28.65
NUP2240	92540	200	360	98	1220000	1870000	1400	1900	46.75
NUP244	92244	220	400	65	766000	1080000	1400	1700	40.54
NUP2244	92544	220	400	108	1130000	1810000	1200	1700	64.13
NUP248	92248	240	440	72	949000	1340000	1200	1500	54.86
NUP304	92304	20	52	15	31500	26900	12000	16000	0.161
NUP2304	92604	20	52	21	42000	38800	11000	16000	0.227
NUP305	92305	25	62	17	41600	37400	10000	14000	0.255
NUP2305	92605	25	62	24	57000	56100	9100	14000	0.368
NUP306	92306	30	72	19	53100	50200	8700	12000	0.380
NUP2306	92606	30	72	27	74600	77600	7800	12000	0.562
NUP307	92307	35	80	21	66600	65400	7700	10000	0.508
NUP2307	92607	35	80	31	93100	10100	6900	10000	0.767
NUP308	92308	40	90	23	83100	91500	6800	9100	0.699
NUP2308	92608	40	90	33	114000	122000	6100	9100	1.013
NUP309	92309	45	100	25	97400	98300	6100	8200	0.957
NUP2309	92609	45	100	36	137000	153000	5400	8200	1.390
NUP310	92310	50	110	27	110000	113000	5500	7400	1.211
NUP2310	92610	50	110	40	163000	187000	4900	7400	1.853
NUP311	92311	55	120	29	137000	143000	5100	6700	1.579
NUP2311	92611	55	120	43	201000	233000	4500	6700	2.369
NUP312	92312	60	130	31	150000	157000	4600	6200	1.969
NUP2312	92612	60	130	46	223000	262000	4100	6200	2.959
NUP313	92313	65	140	33	181000	191000	4300	5700	2.430
NUP2313	92613	65	140	48	251000	287000	3800	5700	3.540
NUP314	92314	70	150	35	205000	222000	4000	5300	2.950
NUP2314	92614	70	150	51	275000	323000	3600	5300	4.300
NUP315	92315	75	160	37	240000	263000	3700	5000	3.550
NUP2315	92615	75	160	55	329000	395000	3300	5000	5.260
NUP316	92316	80	170	39	259000	282000	3500	4700	4.220
NUP2316	92616	80	170	58	361000	431000	3100	4700	6.270
NUP317	92317	85	180	41	291000	330000	3300	4400	5.060
NUP2317	92617	85	180	60	394000	485000	2900	4400	7.350
NUP318	92318	90	160	43	316000	355000	3100	4100	5.760
NUP2318	92618	90	160	64	437000	534000	2800	4100	8.550
NUP319	92319	95	200	45	334000	387000	2900	3900	6.760
NUP2319	92619	95	200	67	394000	496000	2600	4000	9.890
NUP320	92320	100	215	47	379000	424000	2700	3600	8.160
NUP2320	92620	100	215	73	570000	717000	2400	3600	12.740
NUP322	92322	110	240	50	451000	525000	2400	3200	11.270
NUP2322	92622	110	240	80	680000	880000	2200	3200	19.790
NUP324	92324	120	260	55	528000	610000	2200	3000	14.11
NUP2324	92624	120	260	86	793000	1030000	2000	3000	24.33
NUP326	92326	130	280	58	616000	736000	2000	2700	17.59
NUP2326	92626	130	280	93	920000	1230000	1800	2700	30.65
NUP328	92328	140	300	62	663000	797000	1900	2500	21.48
NUP2328	92628	140	300	102	1020000	1380000	1700	2500	38.75
NUP330	92330	150	320	65	757000	922000	1700	2300	28.43
NUP2330	92630	150	320	108	1180000	1600000	1500	2300	47.07
NUP406	92406	30	90	23	62800	55000	7600	10000	0.793
NUP407	92407	35	100	25	75200	68900	6600	8800	1.074
NUP408	92408	40	110	27	97100	89100	6000	8000	1.369
NUP409	92409	45	120	29	115000	112000	5400	7200	1.727
NUP410	92410	50	130	31	139000	136000	4900	6600	2.117
NUP411	92411	55	140	33	142000	138000	4600	6100	2.643
NUP412	92412	60	150	35	178000	184000	4200	5700	3.18

ISO	GOST	Dimensions (mm)			Basic Load Rating (N)		Limiting speed ( r/min )		Weight (kg)
							Lubrication		
		d	D	B	Dyn. C	Stat. C <sub>0</sub>	Grease	Oil	
NUP413	92413	65	160	37	198000	203000	4000	5300	3.77
NUP414	92414	70	180	42	246000	257000	3500	4700	5.54
NUP415	92415	75	190	45	265000	274000	3300	4400	6.58
NUP416	92416	80	200	48	302000	315000	3100	4200	7.66
NUP417	92417	85	210	52	340000	350000	3000	4000	9.14
NUP418	92418	90	225	54	374000	400000	2800	3700	10.84
NUP419	92419	95	240	55	410000	444000	2600	3400	14.32
NUP420	92420	100	250	58	458000	498000	2500	3300	14.74
NUP422	92422	110	280	65	550000	621000	2200	2900	20.95
NUP424	92424	120	310	72	690000	770000	1900	2600	29.49
NUP426	92426	130	340	78	771000	876000	1800	2300	38.01
NUP428	92428	140	360	82	874000	1020000	1600	2200	49.28
NUP430	92430	150	380	85	930000	1120000	1500	2000	56.12



NN

NN (K)

ISO	GOST	Dimensions (mm)			Basic Load Rating (N)		Limiting speed ( r/min )		Weight (kg)
							Lubrication		
		d	D	B	Dyn. C	Stat. C <sub>0</sub>	Grease	Oil	
NN3006	3282106	30	55	19	29000	34000	16000	19000	0.191
NN3006 K	3182106	30	55	19	29000	34000	16000	19000	0.191
NN3007	3282107	35	62	20	35500	44000	14000	17000	0.249
NN3007 K	3182107	35	62	20	35500	44000	14000	17000	0.249
NN3008	3282108	40	68	21	45000	58500	12000	15000	0.303
NN3008 K	3182108	40	68	21	45000	58500	12000	15000	0.303
NN3009	3282109	45	75	23	54000	72000	11000	14000	0.393
NN3009 K	3182109	45	75	23	54000	72000	11000	14000	0.393
NN3010	3282110	50	80	23	57000	80000	10000	13000	0.426
NN3010 K	3182110	50	80	23	57000	80000	10000	13000	0.426
NN3011	3282111	55	90	26	72000	100000	9000	11000	0.630
NN3011 K	3182111	55	90	26	72000	100000	9000	11000	0.630
NN3012	3282112	60	95	26	75000	110000	8500	10000	0.674
NN3012 K	3182112	60	95	26	75000	110000	8500	10000	0.674
NN3013	3282113	65	100	26	76500	116000	8000	9500	0.715
NN3013 K	3182113	65	100	26	76500	116000	8000	9500	0.715
NN3014	3282114	70	110	30	98000	150000	7000	8500	1.040
NN3014 K	3182114	70	110	30	98000	150000	7000	8500	1.040
NN3015	3282115	75	115	30	100000	156000	6700	8000	1.090
NN3015 K	3182115	75	115	30	100000	156000	6700	8000	1.090
NN3016	3282116	80	125	34	120000	186000	6300	7500	1.510
NN3016 K	3182116	80	125	34	120000	186000	6300	7500	1.510
NN3017	3282117	85	130	34	125000	200000	6000	7000	1.580
NN3017 K	3182117	85	130	34	125000	200000	6000	7000	1.580



ISO	GOST	Dimensions (mm)			Basic Load Rating (N)		Limiting speed ( r/min )		Weight (kg)
		d	D	B	Dyn. C	Stat. C <sub>0</sub>	Lubrication		
							Grease	Oil	
NN3018	3282118	90	140	37	140000	224000	5600	6700	2.050
NN3018 K	3182118	90	140	37	140000	224000	5600	6700	2.050
NN3019	3282119	95	145	37	143000	236000	5300	6300	2.140
NN3019 K	3182119	95	145	37	143000	236000	5300	6300	2.140
NN3020	3282120	100	150	37	146000	245000	5300	6300	2.230
NN3020 K	3182120	100	150	37	146000	245000	5300	6300	2.230
NN3021	3282121	105	160	41	190000	310000	4800	5600	2.840
NN3021 K	3182121	105	160	41	190000	310000	4800	5600	2.840
NN3022	3282122	110	170	45	220000	360000	4500	5300	3.610
NN3022 K	3182122	110	170	45	220000	360000	4500	5300	3.610
NN3024	3282124	120	180	46	242000	390000	4300	5000	3.940
NN3024 K	3182124	120	180	46	242000	390000	4300	5000	3.940
NN3026	3282126	130	200	52	290000	500000	3800	4500	5.790
NN3026 K	3182126	130	200	52	290000	500000	3800	4500	5.790
NN3028	3282128	140	210	53	300000	520000	3600	4300	6.220
NN3028 K	3182128	140	210	53	300000	520000	3600	4300	6.220
NN3030	3282130	150	225	56	335000	585000	3400	4000	7.580
NN3030 K	3182130	150	225	56	335000	585000	3400	4000	7.580
NN3032	3282132	160	240	60	375000	670000	3200	3800	9.230
NN3032 K	3182132	160	240	60	375000	670000	3200	3800	9.230
NN3034	3282134	170	260	67	450000	800000	3000	3600	12.500
NN3034 K	3182134	170	260	67	450000	800000	3000	3600	12.500
NN3036	3282136	180	280	74	570000	1000000	2800	3400	16.400
NN3036 K	3182136	180	280	74	570000	1000000	2800	3400	16.400
NN3038	3282138	190	290	75	585000	1040000	2600	3200	17.300
NN3038 K	3182138	190	290	75	585000	1040000	2600	3200	17.300
NN3040	3282140	200	310	82	655000	1200000	2400	3000	22.200
NN3040 K	3182140	200	310	82	655000	1200000	2400	3000	22.200
NN3044	3282144	220	340	90	800000	1460000	2200	2800	29.100
NN3044 K	3182144	220	340	90	800000	1460000	2200	2800	29.100
NN3048	3282148	240	360	92	850000	1560000	2000	2600	31.600
NN3048 K	3182148	240	360	92	850000	1560000	2000	2600	31.600
NN3052	3282152	260	400	104	1060000	2000000	1900	2400	46.200
NN3052 K	3182152	260	400	104	1060000	2000000	1900	2400	46.200
NN3056	3282156	280	420	106	1080000	2080000	1800	2200	49.700
NN3056 K	3182156	280	420	106	1080000	2080000	1800	2200	49.700
NN3060	3282160	300	460	118	1270000	2400000	1600	1900	68.800
NN3060 K	3182160	300	460	118	1270000	2400000	1600	1900	68.800
NN3064	3282164	320	480	121	1420000	2600000	1600	1900	74.200
NN3064 K	3182164	320	480	121	1420000	2600000	1600	1900	74.200
NN3068	3282168	340	520	133	1630000	3250000	1400	1700	99.300
NN3068 K	3182168	340	520	133	1630000	3250000	1400	1700	99.300
NN3072	3282172	360	540	134	1660000	3350000	1400	1700	104.000
NN3072 K	3182172	360	540	134	1660000	3350000	1400	1700	104.000
NN3076	3282176	380	560	135	1700000	3450000	1300	1600	110.000
NN3076 K	3182176	380	560	135	1700000	3450000	1300	1600	110.000
NN3080	3282180	400	600	148	2160000	4500000	1200	1500	143.000
NN3080 K	3182180	400	600	148	2160000	4500000	1200	1500	143.000
NN3084	3282184	420	620	150	2120000	4500000	1200	1500	150.000
NN3084 K	3182184	420	620	150	2120000	4500000	1200	1500	150.000
NN3088	3282188	440	650	157	2450000	5100000	1100	1400	172.000
NN3088 K	3182188	440	650	157	2450000	5100000	1100	1400	172.000
NN3092	3282192	460	680	163	2600000	5400000	1100	1400	197.000
NN3092 K	3182192	460	680	163	2600000	5400000	1100	1400	197.000
NN3096	3282196	480	700	165	2700000	5850000	1000	1300	206.000
NN3096 K	3182196	480	700	165	2700000	5850000	1000	1300	206.000