



OMT4-IE1 100L1-4 2,2kW 230/400V 50Hz

**DATASHEET**

50Hz |

Frame type:	aluminium	Connection:	Δ/Y
Model:	OMT4-IE1	Run Capacitor:	
Output:	2,2 kW	Start Capacitor:	
Rated voltage:	230/400V	Rotor voltage:	
Frame:	100 mm	Rotor connection:	
Poles:	4	Rotor current:	
Frequency:	50 Hz	No load current:	
Rated speed:	1420 RPM	Insulation class:	F
Rated current:	8,35/4,8 A	Temp. rise:	80 K
Locked rotor current(Ia/In):	700%	Service factor:	1
Locked rotor torque(Ma/Mn):	230%	Duty:	S8
Breakdown torque(Ma/Mn):	230%	Amb. temp.:	-20~40 °C
Mounting:	B3	Altitude:	1000 m
Noise level:	64 dB	Protection:	IP55
Approx. weight:	23 kg	Cooling:	IC411
Mom. of inertia:	0,0054 kg/m <sup>2</sup>	Vibration:	1,6 mm/s
Slip:	5,3%	Dir. rotation:	BOTH
Rated torque:	14,8 Nm	Starting method:	DIRECT ON LINE
		Coupling:	DIRECT
		Load type:	PARABOLIC CURVE

**PERFORMANCE**

Output	50%	75%	100%
Efficiency(%):	81	83	82,5
Power factor:			0,81

**STANDARDS**

Specification:	IEC60034-1/GB755
Test:	IEC60034-2/GB/T1032
Noise	IEC60034-9/GB10069.3
Vibration:	IEC60034-14/GB10068

**BEARING**

Bearing	NDE	DE
	6206 2RZ	6206 2RZ
	C3	C3

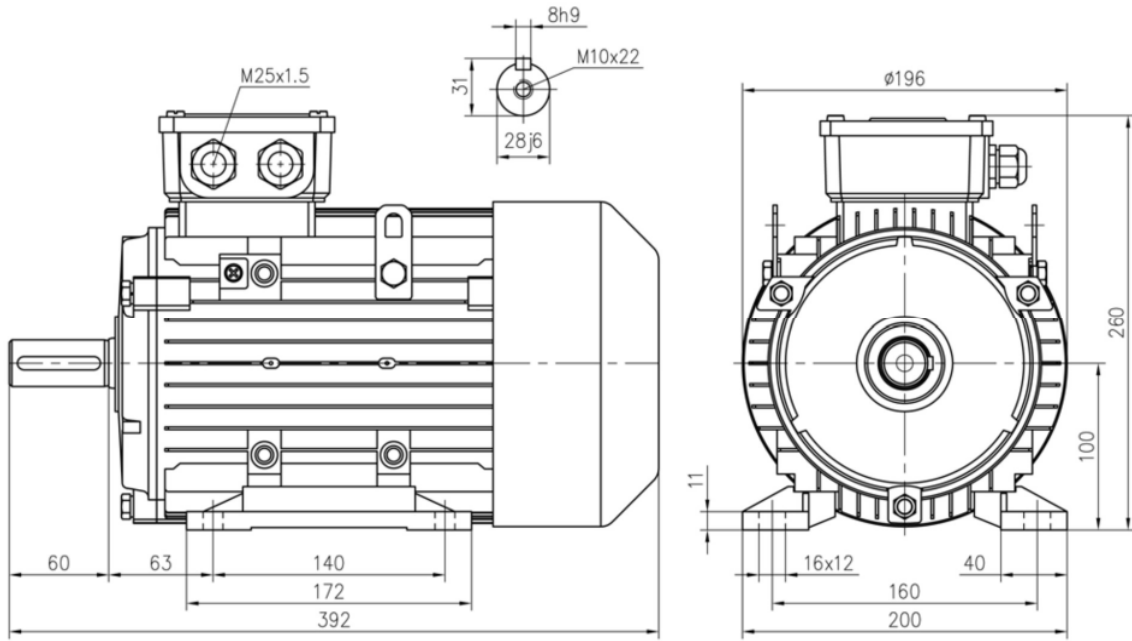
Regreasing int(h):

Grease  
amount(g):  
Grease  
polyrexEM:

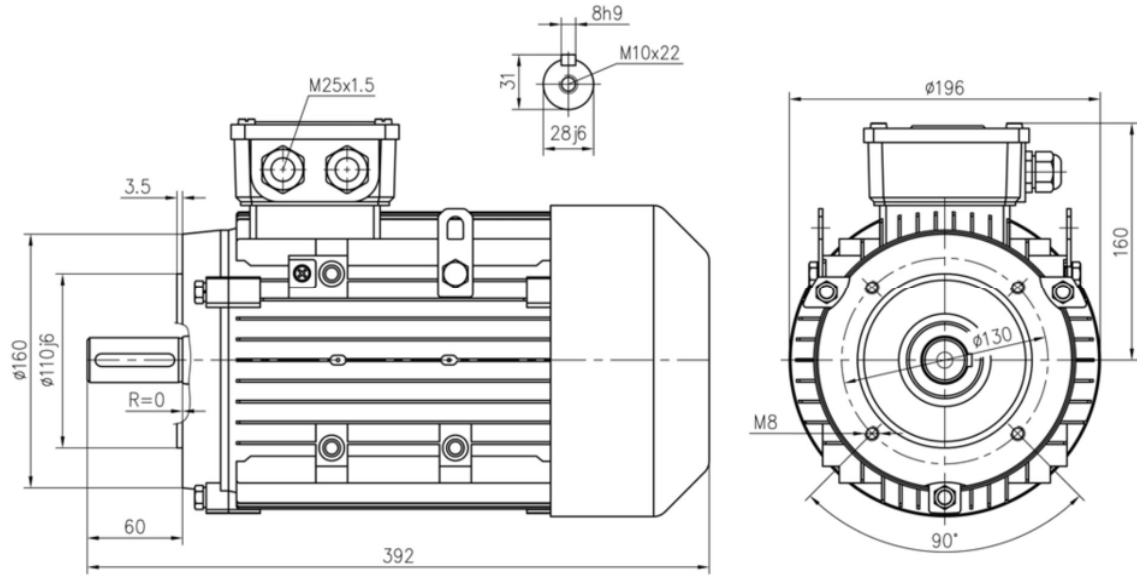
**ACCESSORIES**

PTC 150°C

# DRAWING B3



# DRAWING-B14S



# B5

