



OMT4-IE1 80C-2 1,5kW 230/400V 50Hz

**DATASHEET**

50Hz |

Frame type:	aluminium	Connection:	Δ/Y
Model:	T1A-IE1	Run Capacitor:	
Output:	1,5 kW	Start Capacitor:	
Rated voltage:	230/400V	Rotor voltage:	
Frame:	80 mm	Rotor connection:	
Poles:	2	Rotor current:	
Frequency:	50 Hz	No load current:	
Rated speed:	2870 RPM	Insulation class:	F
Rated current:	5,6/3,22 A	Temp. rise:	80 K
Locked rotor current(Ia/In):	680%	Service factor:	1
Locked rotor torque(Ma/Mn):	270%	Duty:	S8
Breakdown torque(Ma/Mn):	280%	Amb. temp.:	-20~40 °C
Mounting:	B3	Altitude:	1000 m
Noise level:	70 dB	Protection:	IP55
Approx. weight:	11 kg	Cooling:	IC411
Mom. of inertia:	0,0013512 kg/m2	Vibration:	1,6 mm/s
Slip:	4,3%	Dir. rotation:	BOTH
Rated torque:	4,99 Nm	Starting method:	DIRECT ON LINE
		Coupling:	DIRECT
		Load type:	PARABOLIC CURVE

**PERFORMANCE**

<b>Output</b>	<b>50%</b>	<b>75%</b>	<b>100%</b>
Efficiency(%):	78,5	81,1	81
Power factor:			0,83

**STANDARDS**

Specification:	IEC60034-1/GB755
Test:	IEC60034-2/GB/T1032
Noise	IEC60034-9/GB10069.3
Vibration:	IEC60034-14/GB10068

**BEARING**

<b>Bearing</b>	<b>NDE</b>	<b>DE</b>
	6204 2RZ	6204 2RZ
	C3	C3

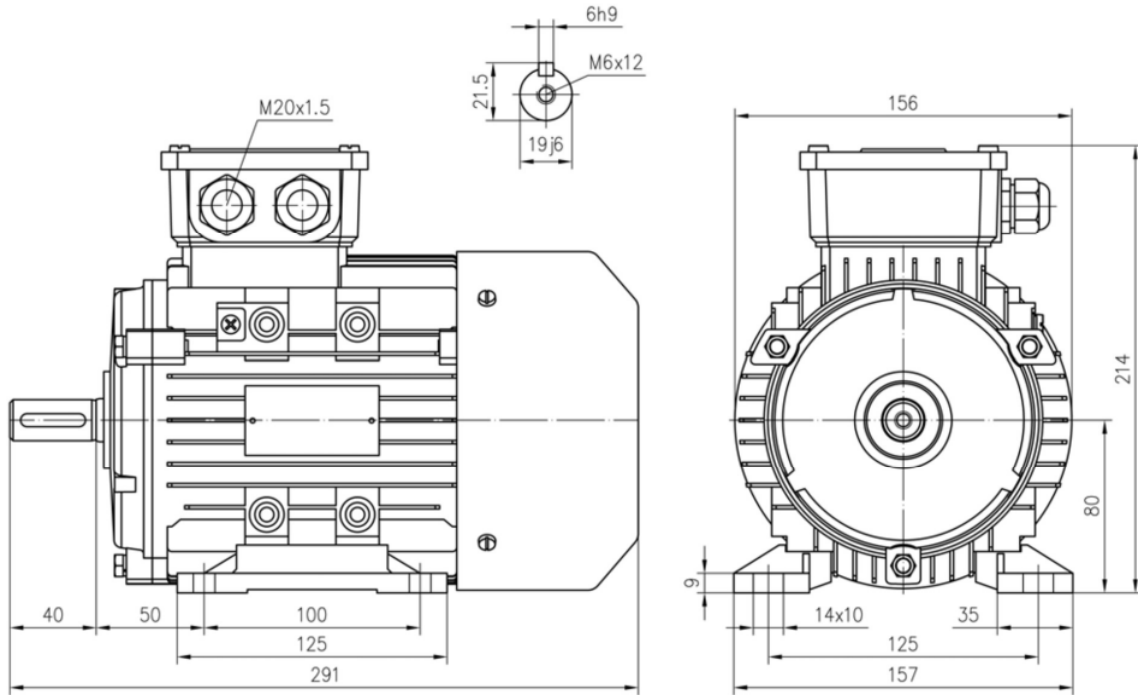
Regreasing int(h):

Grease  
amount(g):  
Grease  
polyrexEM:

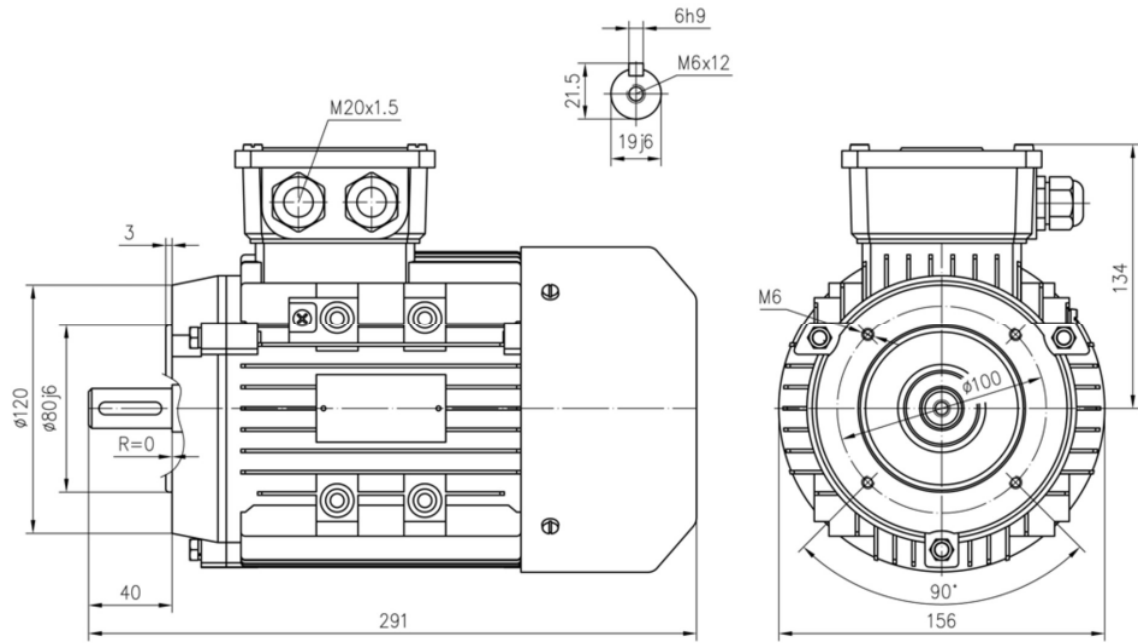
**ACCESSORIES**

PTC 150°C

# DRAWING B3



# DRAWING-B14S



# B5

