



CRAFT BEARINGS

Quality Minded



GENERAL CATALOG

www.craft-bearings.com



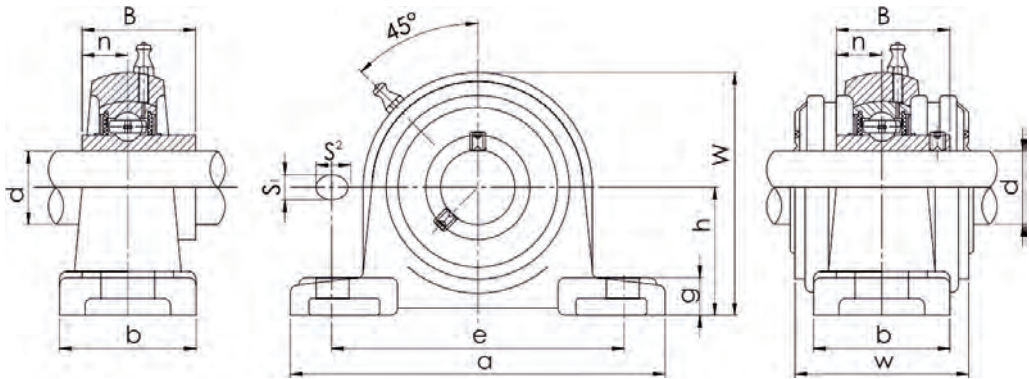
HOUSING UNITS

Series: UCP.. UCPA.. UCPH.. UCF.. UCFA.. UCFB.. UCFC.. UCFL.. UCT.. UCC.. UCHA..



Features

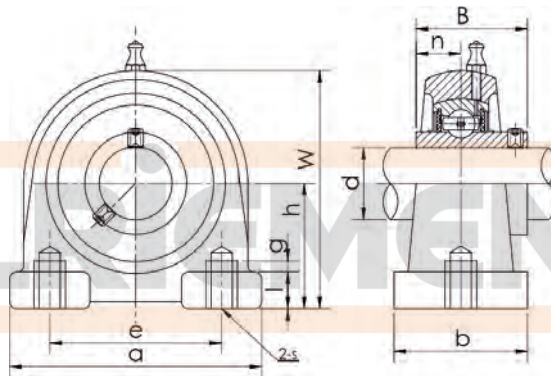
Cast-iron housing units serve as elements of the so called bearing units. These units are formed together with all kinds of insert ball bearings. Housing units can be divided into three types: P, F and T. P-type housings have fixing bores pointing out at right angle to the shaft axis, and they are commonly called "standing" housing units, whereas in the PA-version bores are made in the housing itself and in the A-type they are located in the housing's flanges. The fixing bores of F-type housing units are arranged parallel to the shaft axis. Square-shaped F-type has four bores, FL-type shaped as an extended ellipse has two fixing bores and the circular FC-type housing unit has four fixing bores. The most specific features has the T-type housing unit, called a tension-fixing housing. T-shape and the ability of adjusting the tension through a special fixing are the most distinguishing features of this housing unit. All housings are made of modified green cast iron and equipped with a valve delivering grease, whereas one shall pay special attention to the proper placement of the lubricating groove and bore in the mounted bearing. The designation structure of bearing units' symbols the system of creating designations for ready-to-use bearing units bases on the rule of combining the symbols of individual parts of the housing unit and bearing itself. CRAFT bearings housings can be filled with 2 types of insert bearing UC and UK.



ISO	Dimensions (mm)												Bolt Size	Bearing No.	Housing No.	Weight (kg)
	d (in)	d	h	a	e	b	s1	s2	g	w	B	n				
UCP201		12	30.2	127	95	38	13	19	14	62	31	12.7	M10	UC201	P201	0.69
UCP201-8	3/4	30.2	127	95	38	13	19	14	62	31	12.7	M10	UC201-8	P201	0.68	
UCP202		15	30.2	127	95	38	13	19	14	62	31	12.7	M10	UC202	P202	0.69
UCP202-9	9/16	30.2	127	95	38	13	19	14	62	31	12.7	M10	UC202-9	P202	0.68	
UCP02-10	5/8	30.2	127	95	38	13	19	14	62	31	12.7	M10	UC202-10	P202	0.68	
UCP203		17	30.2	127	95	38	13	19	14	62	31	12.7	M10	UC203	P203	0.68
UCP203-11	11/16	30.2	127	95	38	13	19	14	62	31	12.7	M10	UC203-11	P203	0.67	
UCP204		20	33.3	127	95	38	13	19	14	65	31	12.7	M10	UC204	P204	0.66
UCP204-12	3/4	33.3	127	95	38	13	19	14	65	31	12.7	M10	UC204-12	P204	0.66	
UCP205		25	36.5	140	105	38	13	19	15	71	34.1	14.3	M10	UC205	P205	0.81
UCP205-13	13/16	36.5	140	105	38	13	19	15	71	34.1	14.3	M10	UC205-13	P205	0.85	
UCP205-14	7/8	36.5	140	105	38	13	19	15	71	34.1	14.3	M10	UC205-14	P205	0.84	
UCP205-15	15/16	36.5	140	105	38	13	19	15	71	34.1	14.3	M10	UC205-15	P205	0.82	
UCP205-16	1	36.5	140	105	38	13	19	15	71	34.1	14.3	M10	UC205-16	P205	0.81	
UCP206		30	42.9	165	121	48	17	20	17	84	38.1	15.9	M14	UC206	P206	1.24
UCP206-17	1-1/16	42.9	165	121	48	17	20	17	84	38.1	15.9	M14	UC206-17	P206	1.25	
UCP206-18	1-1/8	42.9	165	121	48	17	20	17	84	38.1	15.9	M14	UC206-18	P206	1.26	
UCP206-19	1-3/16	42.9	165	121	48	17	20	17	84	38.1	15.9	M14	UC206-19	P206	1.24	
UCP206-20	1-1/4	42.9	165	121	48	17	20	17	84	38.1	15.9	M14	UC206-20	P206	1.23	
UCP207		35	47.6	167	127	48	17	20	18	93	42.9	17.5	M14	UC207	P207	1.58
UCP207-20	1-1/4	47.6	167	127	48	17	20	18	93	42.9	17.5	M14	UC207-20	P207	1.64	
UCP207-21	1-5/16	47.6	167	127	48	17	20	18	93	42.9	17.5	M14	UC207-21	P207	1.61	
UC2P07-22	1-3/8	47.6	167	127	48	17	20	18	93	42.9	17.5	M14	UC207-22	P207	1.58	
UCP207-23	1-7/16	47.6	167	127	48	17	20	18	93	42.9	17.5	M14	UC207-23	P207	1.55	
UCP208		40	49.2	184	137	54	17	20	18	100	49.2	19	M14	UC208	P208	1.89
UCP208-24	1-1/2	49.2	184	137	54	17	20	18	100	49.2	19	M14	UC208-24	P208	1.93	
UCP208-25	1-9/16	49.2	184	137	54	17	20	18	100	49.2	19	M14	UC208-25	P208	1.9	
UCP209		45	54	190	146	54	17	20	20	106	49.2	19	M14	UC209	P209	2.14
UCP209-26	1-5/8	54	190	146	54	17	20	20	106	49.2	19	M14	UC209-26	P209	2.24	
UCP209-27	1-11/16	54	190	146	54	17	20	20	106	49.2	19	M14	UC209-27	P209	2.2	
UCP209-28	1-3/4	54	190	146	54	17	20	20	106	49.2	19	M14	UC209-28	P209	2.16	
UCP210		50	57.2	206	159	60	20	23	21	113	51.6	19	M16	UC210	P210	2.66
UCP210-29	1-13/16	57.2	206	159	60	20	23	21	113	51.6	19	M16	UC210-29	P210	2.78	
UCP210-30	1-7/8	57.2	206	159	60	20	23	21	113	51.6	19	M16	UC210-30	P210	2.73	
UCP210-31	1-15/16	57.2	206	159	60	20	23	21	113	51.6	19	M16	UC210-31	P210	2.68	
UCP210-32	2	57.2	206	159	60	20	23	21	113	51.6	19	M16	UC210-32	P210	2.64	
UCP211		55	63.5	219	171	60	20	23	23	125	55.6	22.2	M16	UC211	P211	3.31
UCP211-32	2	63.5	219	171	60	20	23	23	125	55.6	22.2	M16	UC211-32	P211	3.46	
UCP211-33	2-1/16	63.5	219	171	60	20	23	23	125	55.6	22.2	M16	UC211-33	P211	3.4	
UCP211-34	2-1/8	63.5	219	171	60	20	23	23	125	55.6	22.2	M16	UC211-34	P211	3.35	
UCP211-35	2-3/16	63.5	219	171	60	20	23	23	125	55.6	22.2	M16	UC211-35	P211	3.29	
UCP212		60	69.8	241	184	70	20	23	25	138	65.1	25.4	M16	UC212	P212	4.90
UCP212-36	2-1/4	69.8	241	184	70	20	23	25	138	65.1	25.4	M16	UC212-36	P212	5.03	

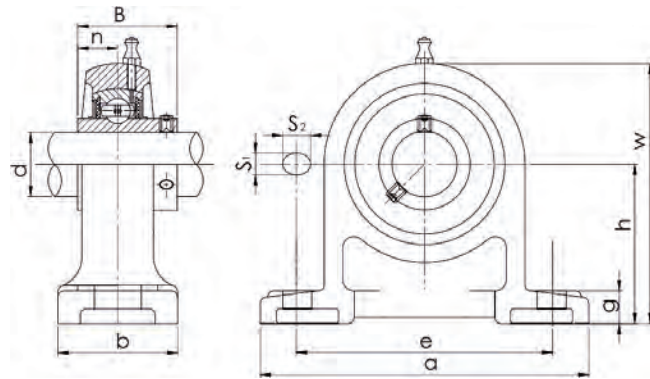
ISO	Dimensions (mm)												Bolt Size	Bearing No.	Housing No.	Weight (kg)
	d (in)	d	h	a	e	b	s1	s2	g	w	B	n				
UCP212-37	2-5/16		69.8	241	184	70	20	23	25	138	65.1	25.4	M16	UC212-37	P212	4.95
UCP212-38	2-3/8		69.8	241	184	70	20	23	25	138	65.1	25.4	M16	UC212-38	P212	4.88
UCP212-39	2-7/16		69.8	241	184	70	20	23	25	138	65.1	25.4	M16	UC212-39	P212	4.81
UCP213		65	76.2	265	203	70	25	28	27	150	65.1	25.4	M20	UC213	P213	5.15
UCP213-40	2-1/2		76.2	265	203	70	25	28	27	150	65.1	25.4	M20	UC213-40	P213	5.24
UCP213-41	2-9/16		76.2	265	203	70	25	28	27	150	65.1	25.4	M20	UC213-41	P213	5.15
UCP214		70	79.4	266	210	72	25	28	27	156	74.6	30.2	M20	UC214	P214	6.20
UCP214-42	2-5/8		79.4	266	210	72	25	28	27	156	74.6	30.2	M20	UC214-42	P214	6.41
UCP214-43	2-11/16		79.4	266	210	72	25	28	27	156	74.6	30.2	M20	UC214-43	P214	8.57
UCP214-44	2-3/4		79.4	266	210	72	25	28	27	156	74.6	30.2	M20	UC214-44	P214	8.47
UCP215		75	82.6	275	217	74	25	28	28	162	77.8	33.3	M20	UC215	P215	7.16
UCP215-45	2-13/16		82.6	275	217	74	25	28	28	162	77.8	33.3	M20	UC215-45	P215	7.41
UCP215-46	2-7/8		82.6	275	217	74	25	28	28	162	77.8	33.3	M20	UC215-46	P215	7.3
UCP215-47	2-15/16		82.6	275	217	74	25	28	28	162	77.8	33.3	M20	UC215-47	P215	7.19
UCP215-48	3		82.6	275	217	74	25	28	28	162	77.8	33.3	M20	UC215-48	P215	7.07
UCP216		80	88.9	292	232	78	25	28	30	174	82.6	33.2	M20	UC216	P216	8.10
UCP216-49	3-1/16		88.9	292	232	78	25	28	30	174	82.6	33.2	M20	UC216-49	P216	8.28
UCP216-50	3-1/8		88.9	292	232	78	25	28	30	174	82.6	33.2	M20	UC216-50	P216	8.15
UCP216-51	3-3/16		88.9	292	232	78	25	28	30	174	82.6	33.2	M20	UC216-51	P216	8.10
UCP217		85	95.2	310	247	83	25	28	32	185	85.7	34.1	M20	UC217	P217	9.81
UCP217-52	3-1/4		95.2	310	247	83	25	28	32	185	85.7	34.1	M20	UC217-52	P217	10.03
UCP217-53	3-5/16		95.2	310	247	83	25	28	32	185	85.7	34.1	M20	UC217-53	P217	9.89
UCP217-55	3-7/16		95.2	310	247	83	25	28	32	185	85.7	34.1	M20	UC217-55	P217	9.60
UCP218		90	101.6	327	262	88	27	30	33	198	96	39.7	M22	UC218	P218	11.96
UCP218-56	3-1/2		101.6	327	262	88	27	30	33	198	96	39.7	M22	UC218-56	P218	12.07
UCP305		25	45	175	132	45	17	20	15	85	38	38	M14	UC305	P305	1.40
UCP305-14	7/8		45	175	132	45	17	20	15	85	38	38	M14	UC305-14	P305	1.40
UCP305-15	15/16		45	175	132	45	17	20	15	85	38	38	M14	UC305-15	P305	1.40
UCP305-16	1		45	175	132	45	17	20	15	85	38	38	M14	UC305-16	P305	1.40
UCP306		30	50	180	140	50	17	20	18	95	43	17	M14	UC306	P306	1.80
UCP306-18	1-1/8		50	180	140	50	17	20	18	95	43	17	M14	UC306-18	P306	1.80
UCP306-19	1-3/16		50	180	140	50	17	20	18	95	43	17	M14	UC306-19	P306	1.80
UCP307		35	56	210	160	56	17	25	20	106	48	19	M14	UC307	P307	2.80
UCP307-20	1-1/4		56	210	160	56	17	25	20	106	48	19	M14	UC307-20	P307	2.80
UCP307-21	1-5/16		56	210	160	56	17	25	20	106	48	19	M14	UC307-21	P307	2.80
UCP307-22	1-3/8		56	210	160	56	17	25	20	106	48	19	M14	UC307-22	P307	2.80
UCP308		40	60	220	170	60	17	27	22	116	52	19	M14	UC308	P308	3.00
UCP308-24	1-1/2		60	220	170	60	17	27	22	116	52	19	M14	UC308-24	P308	3.00
UCP308-25	1-9/16		60	220	170	60	17	27	22	116	52	19	M14	UC308-25	P308	3.00
UCP309		45	67	245	190	67	20	30	24	129	57	22	M16	UC309	P309	4.10
UCP309-26	1-5/8		67	245	190	67	20	30	24	129	57	22	M16	UC309-26	P309	4.10
UCP309-27	1-11/16		67	245	190	67	20	30	24	129	57	22	M16	UC309-27	P309	4.10
UCP309-28	1-3/4		67	245	190	67	20	30	24	129	57	22	M16	UC309-28	P309	4.10
UCP310		50	75	275	212	75	20	35	27	143	61	22	M16	UC310	P310	5.80
UCP310-30	1-7/8		75	275	212	75	20	35	27	143	61	22	M16	UC310-30	P310	5.80
UCP310-31	1-15/16		75	275	212	75	20	35	27	143	61	22	M16	UC310-31	P310	5.80
UCP311		55	80	310	236	80	20	38	30	154	66	25	M16	UC311	P311	7.40
UCP311-32	2		80	310	236	80	20	38	30	154	66	25	M16	UC311-32	P311	7.40
UCP311-34	2-1/8		80	310	236	80	20	38	30	154	66	25	M16	UC311-34	P311	7.40
UCP311-35	2-3/16		80	310	236	80	20	38	30	154	66	25	M16	UC311-35	P311	7.40
UCP312		60	85	330	250	85	25	38	32	165	71	26	M20	UC312	P312	9.40
UCP312-36	2-1/4		85	330	250	85	25	38	32	165	71	26	M20	UC312-36	P312	9.40
UCP312-38	2-3/8		85	330	250	85	25	38	32	165	71	26	M20	UC312-38	P312	9.40
UCP312-39	2-7/16		85	330	250	85	25	38	32	165	71	26	M20	UC312-39	P312	9.40
UCP313		65	90	340	260	90	25	38	33	176	75	30	M20	UC313	P313	10.00
UCP313-40	2-1/2		90	340	260	90	25	38	33	176	75	30	M20	UC313-40	P313	10.00
UCP314		70	95	360	280	90	27	40	35	187	78	33	M22	UC314	P314	12.00
UCP314-44	2-3/4		95	360	280	90	27	40	35	187	78	33	M22	UC314-44	P314	12.00
UCP315		75	100	380	290	100	27	40	35	198	82	32	M22	UC315	P315	14.00

ISO	Dimensions (mm)												Bolt Size	Bearing No.	Housing No.	Weight (kg)
	d (in)	d	h	a	e	b	s1	s2	g	w	B	n				
UCP315-48	3	100	380	290	100	27	40	35	198	82	32	M22	UC315-48	P315	14.00	
UCP316		80	106	400	300	110	27	40	40	210	86	34	M22	UC316	P316	18.00
UCP317		85	112	420	320	110	33	45	40	220	96	40	M27	UC317	P317	20.00
UCP317-52	3-1/4		112	420	320	110	33	45	40	220	96	40	M27	UC315-48	P317	20.00
UCP318		90	118	430	330	110	33	45	45	235	96	40	M27	UC318	P318	24.00
UCP318-56	3-1/2		118	430	330	110	33	45	45	235	96	40	M27	UC318-56	P318	24.00
UCP319		95	125	470	360	120	36	50	45	250	103	41	M30	UC319	P319	29.00
UCP319-60	3-3/4		125	470	360	120	36	50	45	250	103	41	M30	UC319-60	P319	29.00
UCP320		100	140	490	380	120	36	50	50	275	108	42	M30	UC320	P320	34.00
UCP320-64	4		140	490	380	120	36	50	50	275	108	42	M30	UC320-64	P320	34.00
UCP321		105	140	490	380	120	36	50	50	280	112	44	M30	UC321	P321	35.00
UCP322		110	150	520	400	140	40	55	55	300	117	46	M33	UC322	P322	42.00
UCP324		120	160	570	450	140	40	65	55	325	126	51	M33	UC324	P324	51.00
UCP326		130	180	600	480	140	40	75	55	355	135	54	M33	UC326	P326	65.00
UCP328		140	200	620	500	140	40	75	55	390	145	59	M33	UC328	P328	82.00

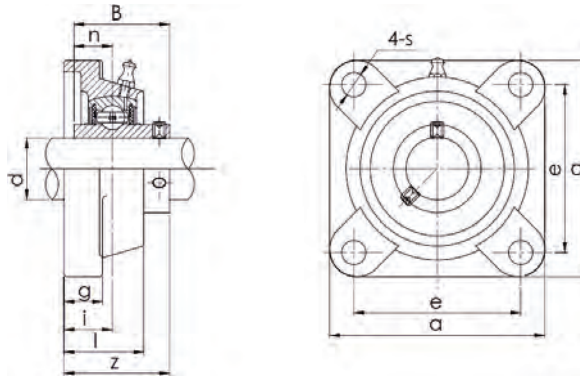


ISO	Dimensions (mm)												Bolt Size	Bearing No.	Housing No.	Weight (kg)
	d (in)	d	h	a	e	b	S	g	l	w	B	n				
UCPA201		12	30.2	76	52	40	M10	15	11	62	31	12.7	M10	UC201	PA201	0.60
UCPA201-8	3/4		30.2	76	52	40	M10	15	11	62	31	12.7	M10	UC201-8	PA201	0.59
UCPA202		15	30.2	76	52	40	M10	15	11	62	31	12.7	M10	UC202	PA202	0.6
UCPA202-9	9/16		30.2	76	52	40	M10	15	11	62	31	12.7	M10	UC202-9	PA202	0.59
UCPA202-10	5/8		30.2	76	52	40	M10	15	11	62	31	12.7	M10	UC202-10	PA202	0.59
UCPA203		17	30.2	76	52	40	M10	15	11	62	31	12.7	M10	UC203	PA203	0.58
UCPA203-11	11/16		30.2	76	52	40	M10	15	11	62	31	12.7	M10	UC203-11	PA203	0.57
UCPA204		20	30.2	76	52	40	M10	15	11	62	31	12.7	M10	UC204	PA204	0.56
UCPA204-12	3/4		30.2	76	52	40	M10	15	11	62	31	12.7	M10	UC204-12	PA204	0.56
UCPA205		25	36.5	84	56	38	M10	15	12	72	34.1	14.3	M10	UC205	PA205	0.83
UCPA205-13	13/16		36.5	84	56	38	M10	15	12	72	34.1	14.3	M10	UC205-13	PA205	0.87
UCPA205-14	7/8		36.5	84	56	38	M10	15	12	72	34.1	14.3	M10	UC205-14	PA205	0.86
UCPA205-15	15/16		36.5	84	56	38	M10	15	12	72	34.1	14.3	M10	UC205-15	PA205	0.84
UCPA205-16	1		36.5	84	56	38	M10	15	12	72	34.1	14.3	M10	UC205-16	PA205	0.83
UCPA206		30	42.9	94	66	50	M14	18	12	84	38.1	15.9	M14	UC206	PA206	1.12
UCPA206-17	1-1/16		42.9	94	66	50	M14	18	12	84	38.1	15.9	M14	UC206-17	PA206	1.13
UCPA206-18	1-1/8		42.9	94	66	50	M14	18	12	84	38.1	15.9	M14	UC206-18	PA206	1.14
UCPA206-19	1-3/16		42.9	94	66	50	M14	18	12	84	38.1	15.9	M14	UC206-19	PA206	1.12
UCPA206-20	1-1/4		42.9	94	66	50	M14	18	12	84	38.1	15.9	M14	UC206-20	PA206	1.11
UCPA207		35	47.6	110	80	55	M14	20	13	95	42.9	17.5	M14	UC207	PA207	1.48
UCPA207-20	1-1/4		47.6	110	80	55	M14	20	13	95	42.9	17.5	M14	UC207-20	PA207	1.54
UCPA207-21	1-5/16		47.6	110	80	55	M14	20	13	95	42.9	17.5	M14	UC207-21	PA207	1.51

ISO	Dimensions (mm)												Bolt Size	Bearing No.	Housing No.	Weight (kg)
	d (in)	d	h	a	e	b	S	g	l	w	B	n				
UCPA207-22	1-3/8		47.6	110	80	55	M14	20	13	95	42.9	17.5	M14	UC207-22	PA207	1.48
UCPA207-23	1-7/16		47.6	110	80	55	M14	20	13	95	42.9	17.5	M14	UC207-23	PA207	1.45
UCPA208		40	49.2	116	84	58	M14	20	13	100	49.2	19	M14	UC208	PA208	1.89
UCPA208-24	1-1/2		49.2	116	84	58	M14	20	13	100	49.2	19	M14	UC208-24	PA208	1.93
UCPA208-25	1-9/16		49.2	116	84	58	M14	20	13	100	49.2	19	M14	UC208-25	PA208	1.90
UCPA209		45	54.2	120	90	60	M14	25	13	108	49.2	19	M14	UC209	PA209	1.98
UCPA209-26	1-5/8		54.2	120	90	60	M14	25	13	108	49.2	19	M14	UC209-26	PA209	2.08
UCPA209-27	1-11/16		54.2	120	90	60	M14	25	13	108	49.2	19	M14	UC209-27	PA209	2.04
UCPA209-28	1-3/4		54.2	120	90	60	M14	25	13	108	49.2	19	M14	UC209-28	PA209	2.00
UCPA210		50	57.2	130	94	64	M16	25	14	116	51.6	19	M16	UC210	PA210	2.16
UCPA210-29	1-13/16		57.2	130	94	64	M16	25	14	116	51.6	19	M16	UC210-29	PA210	2.28
UCPA210-30	1-7/8		57.2	130	94	64	M16	25	14	116	51.6	19	M16	UC210-30	PA210	2.23
UCPA210-31	1-15/16		57.2	130	94	64	M16	25	14	116	51.6	19	M16	UC210-31	PA210	2.18
UCPA210-32	2		57.2	130	94	64	M16	25	14	116	51.6	19	M16	UC210-32	PA210	2.14
UCPA211		55	63.5	140	104	66	M16	25	14	125	55.6	22.2	M16	UC211	PA211	3.26
UCPA211-32	2		63.5	140	104	66	M16	25	14	125	55.6	22.2	M16	UC211-32	PA211	3.41
UCPA211-33	2-1/16		63.5	140	104	66	M16	25	14	125	55.6	22.2	M16	UC211-33	PA211	3.35
UCPA211-34	2-1/8		63.5	140	104	66	M16	25	14	125	55.6	22.2	M16	UC211-34	PA211	3.30
UCPA211-35	2-3/16		63.5	140	104	66	M16	25	14	125	55.6	22.2	M16	UC211-35	PA211	3.24
UCPA212		60	69.9	150	114	68	M16	25	15	138	65.1	25.4	M16	UC212	PA212	4.19
UCPA212-36	2-1/4		69.9	150	114	68	M16	25	15	138	65.1	25.4	M16	UC212-36	PA212	4.32
UCPA212-37	2-5/16		69.9	150	114	68	M16	25	15	138	65.1	25.4	M16	UC212-37	PA212	4.24
UCPA212-38	2-3/8		69.9	150	114	68	M16	25	15	138	65.1	25.4	M16	UC212-38	PA212	4.17
UCPA212-39	2-7/16		69.9	150	114	68	M16	25	15	138	65.1	25.4	M16	UC212-39	PA212	4.10
UCPA213		65	76.2	160	124	70	M16	25	15	150	65.1	25.4	M16	UC213	PA213	5.13
UCPA213-40	2-1/2		76.2	160	124	70	M17	25	15	150	65.1	25.4	M17	UC213-40	PA213	5.22
UCPA213-41	2-9/16		76.2	160	124	70	M18	25	15	150	65.1	25.4	M18	UC213-41	PA213	5.13



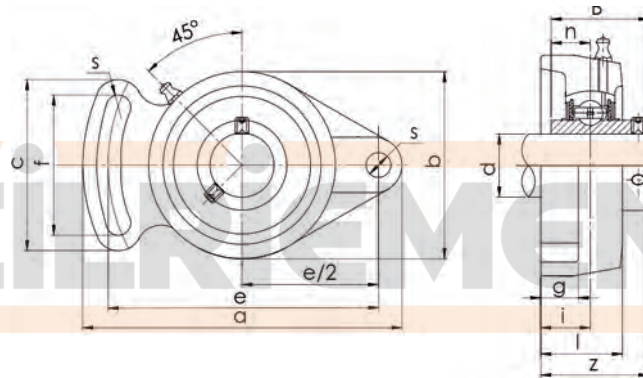
ISO	Dimensions (mm)												Bolt Size	Bearing No.	Housing No.	Weight (kg)
	d (in)	d	h	a	e	b	S1	S2	g	w	B	n				
UCPH201		12	70	127	95	40	13	19	15	101	31.0	12.7	M10	UC201	PH201	0.900
UCPH201-8	3/4		70	127	95	40	13	19	15	101	31.0	12.7	M10	UC201-8	PH201	0.890
UCPH202		15	70	127	95	40	13	19	15	101	31.0	12.7	M10	UC202	PH202	0.900
UCPH202-9	9/16		70	127	95	40	13	19	15	101	31.0	12.7	M10	UC202-9	PH202	0.890
UCPH202-10	5/8		70	127	95	40	13	19	15	101	31.0	12.7	M10	UC202-10	PH202	0.890
UCPH203		17	70	127	95	40	13	19	15	101	31.0	12.7	M10	UC203	PH203	0.800
UCPH203-11	11/16		70	127	95	40	13	19	15	101	31.0	12.7	M10	UC203-11	PH203	0.790
UCPH204		20	70	127	95	40	13	19	15	101	31.0	12.7	M10	UC204	PH204	0.970
UCPH204-12	3/4		70	127	95	40	13	19	15	101	31.0	12.7	M10	UC204-12	PH204	0.970
UCPH205		25	80	140	105	50	13	19	16	114	34.1	14.3	M10	UC205	PH205	1.010
UCPH205-13	13/16		80	140	105	50	13	19	16	114	34.1	14.3	M10	UC205-13	PH205	1.050
UCPH205-14	7/8		80	140	105	50	13	19	16	114	34.1	14.3	M10	UC205-14	PH205	1.040
UCPH205-15	15/16		80	140	105	50	13	19	16	114	34.1	14.3	M10	UC205-15	PH205	1.020
UCPH205-16	1		80	140	105	50	13	19	16	114	34.1	14.3	M10	UC205-16	PH205	1.010
UCPH206		30	90	161	121	50	17	21	17	130	38.1	15.9	M14	UC206	PH206	1.470
UCPH206-17	1-1/16		90	161	121	50	17	21	17	130	38.1	15.9	M14	UC206-17	PH206	1.480
UCPH206-18	1-1/8		90	161	121	50	17	21	17	130	38.1	15.9	M14	UC206-18	PH206	1.490
UCPH206-19	1-3/16		90	161	121	50	17	21	17	130	38.1	15.9	M14	UC206-19	PH206	1.470
UCPH206-20	1-1/4		90	161	121	50	17	21	17	130	38.1	15.9	M14	UC206-20	PH206	1.460
UCPH207		35	95	166	127	60	17	21	18	140	42.9	17.5	M14	UC207	PH207	1.910
UCPH207-20	1-1/4		95	166	127	60	17	21	18	140	42.9	17.5	M14	UC207-20	PH207	1.970
UCPH207-21	1-5/16		95	166	127	60	17	21	18	140	42.9	17.5	M14	UC207-21	PH207	1.940
UCPH207-22	1-3/8		95	166	127	60	17	21	18	140	42.9	17.5	M14	UC207-22	PH207	1.910
UCPH207-23	1-7/16		95	166	127	60	17	21	18	140	42.9	17.5	M14	UC207-23	PH207	1.880
UCPH208		40	100	178	137	70	17	21	19	150	49.2	19.0	M14	UC208	PH208	2.520
UCPH208-24	1-1/2		100	178	137	70	17	21	19	150	49.2	19.0	M14	UC208-24	PH208	2.560
UCPH208-25	1-9/16		100	178	137	70	17	21	19	150	49.2	19.0	M14	UC208-25	PH208	2.530
UCPH209		45	105	189	146	70	17	21	20	158	49.2	19.0	M16	UC209	PH209	2.720
UCPH209-26	1-5/8		105	189	146	70	17	21	20	158	49.2	19.0	M16	UC209-26	PH209	2.820
UCPH209-27	1-11/16		105	189	146	70	17	21	20	158	49.2	19.0	M16	UC209-27	PH209	2.780
UCPH209-28	1-3/4		105	189	146	70	17	21	20	158	49.2	19.0	M16	UC209-28	PH209	2.740
UCPH210		50	110	205	159	70	20	23	21	165	51.6	19.0	M16	UC210	PH210	3.100
UCPH210-29	1-13/16		110	205	159	70	20	23	21	165	51.6	19.0	M16	UC210-29	PH210	3.220
UCPH210-30	1-7/8		110	205	159	70	20	23	21	165	51.6	19.0	M16	UC210-30	PH210	3.170
UCPH210-31	1-15/16		110	205	159	70	20	23	21	165	51.6	19.0	M16	UC210-31	PH210	3.120
UCPH210-32	2		110	205	159	70	20	23	21	165	51.6	19.0	M16	UC210-32	PH210	3.080



ISO	Dimensions (mm)											Bolt Size	Bearing No.	Housing No.	Weight (kg)
	d (in)	d	a	e	i	g	l	s	z	B	n				
UCF201		12	86	64	15	12	25.5	12	33.3	31	12.7	M10	UC201	F201	0.60
UCF201-8	3/4		86	64	15	12	25.5	12	33.3	31	12.7	M10	UC201-8	F201	0.59
UCF202		15	86	64	15	12	25.5	12	33.3	31	12.7	M10	UC202	F202	0.59
UCF202-9	9/16		86	64	15	12	25.5	12	33.3	31	12.7	M10	UC202-9	F202	0.58
UCF202-10	5/8		86	64	15	12	25.5	12	33.3	31	12.7	M10	UC202-10	F202	0.58
UCF203		17	86	64	15	12	25.5	12	33.3	31	12.7	M10	UC203	F203	0.58
UCF203-11	11/16		86	64	15	12	25.5	12	33.3	31	12.7	M10	UC203-11	F203	0.57
UCF204		20	86	64	15	12	25.5	12	33.3	31	12.7	M10	UC204	F204	0.56
UCF204-12	3/4		86	64	15	12	25.5	12	33.3	31	12.7	M10	UC204-12	F204	0.56
UCF205		25	95	70	16	14	27	12	35.8	34.1	14.3	M10	UC205	F205	0.80
UCF205-13	13/16		95	70	16	14	27	12	35.8	34.1	14.3	M10	UC205-13	F205	0.84
UCF205-14	7/8		95	70	16	14	27	12	35.8	34.1	14.3	M10	UC205-14	F205	0.83
UCF205-15	15/16		95	70	16	14	27	12	35.8	34.1	14.3	M10	UC205-15	F205	0.81
UCF205-16	1		95	70	16	14	27	12	35.8	34.1	14.3	M10	UC205-16	F205	0.80
UCF206		30	108	83	18	14	31	12	40.2	38.1	15.9	M10	UC206	F206	1.12
UCF206-17	1-1/16		108	83	18	14	31	12	40.2	38.1	15.9	M10	UC206-17	F206	1.13
UCF206-18	1-1/8		108	83	18	14	31	12	40.2	38.1	15.9	M10	UC206-18	F206	1.14
UCF206-19	1-3/16		108	83	18	14	31	12	40.2	38.1	15.9	M10	UC206-19	F206	1.12
UCF206-20	1-1/4		108	83	18	14	31	12	40.2	38.1	15.9	M10	UC206-20	F206	1.11
UCF207		35	117	92	19	16	34	14	44.4	42.9	17.5	M12	UC207	F207	1.46
UCF207-20	1-1/4		117	92	19	16	34	14	44.4	42.9	17.5	M12	UC207-20	F207	1.52
UCF207-21	1-5/16		117	92	19	16	34	14	44.4	42.9	17.5	M12	UC207-21	F207	1.49
UCF207-22	1-3/8		117	92	19	16	34	14	44.4	42.9	17.5	M12	UC207-22	F207	1.46
UCF207-23	1-7/16		117	92	19	16	34	14	44.4	42.9	17.5	M12	UC207-23	F207	1.43
UCF208		40	130	102	21	16	36	16	51.2	49.2	19	M14	UC208	F208	1.84
UCF208-24	1-1/2		130	102	21	16	36	16	51.2	49.2	19	M14	UC208-24	F208	1.88
UCF208-25	1-9/16		130	102	21	16	36	16	51.2	49.2	19	M14	UC208-25	F208	1.85
UCF209		45	137	105	22	18	38	16	52.2	49.2	19	M14	UC209	F209	2.15
UCF209-26	1-5/8		137	105	22	18	38	16	52.2	49.2	19	M14	UC209-26	F209	2.25
UCF209-27	1-11/16		137	105	22	18	38	16	52.2	49.2	19	M14	UC209-27	F209	2.21
UCF209-28	1-3/4		137	105	22	18	38	16	52.2	49.2	19	M14	UC209-28	F209	2.17
UCF210		50	143	111	22	18	40	16	54.6	51.6	19	M14	UC210	F210	2.42
UCF210-29	1-13/16		143	111	22	18	40	16	54.6	51.6	19	M14	UC210-29	F210	2.54
UCF210-30	1-7/8		143	111	22	18	40	16	54.6	51.6	19	M14	UC210-30	F210	2.49
UCF210-31	1-15/16		143	111	22	18	40	16	54.6	51.6	19	M14	UC210-31	F210	2.44
UCF210-32	2		143	111	22	18	40	16	54.6	51.6	19	M14	UC210-32	F210	2.40
UCF211		55	162	130	25	20	43	19	58.4	55.6	22.2	M16	UC211	F211	3.31
UCF211-32	2		162	130	25	20	43	19	58.4	55.6	22.2	M16	UC211-32	F211	3.46
UCF211-33	2-1/16		162	130	25	20	43	19	58.4	55.6	22.2	M16	UC211-33	F211	3.40
UCF211-34	2-1/8		162	130	25	20	43	19	58.4	55.6	22.2	M16	UC211-34	F211	3.35
UCF211-35	2-3/16		162	130	25	20	43	19	58.4	55.6	22.2	M16	UC211-35	F211	3.29
UCF212		60	175	143	29	20	48	19	68.7	65.1	25.4	M16	UC212	F212	4.28
UCF212-36	2-1/4		175	143	29	20	48	19	68.7	65.1	25.4	M16	UC212-36	F212	4.41

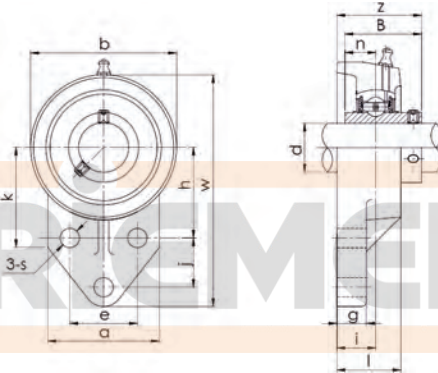
ISO	Dimensions (mm)											Bolt Size	Bearing No.	Housing No.	Weight (kg)
	d (in)	d	a	e	i	g	l	s	z	B	n				
UCF212-37	2-5/16		175	143	29	20	48	19	68.7	65.1	25.4	M16	UC212-37	F212	4.33
UCF212-38	2-3/8		175	143	29	20	48	19	68.7	65.1	25.4	M16	UC212-38	F212	4.26
UCF212-39	2-7/16		175	143	29	20	48	19	68.7	65.1	25.4	M16	UC212-39	F212	4.19
UCF213		65	187	149	30	22	50	19	69.7	65.1	25.4	M16	UC213	F213	4.99
UCF213-40	2-1/2		187	149	30	22	50	19	69.7	65.1	25.4	M16	UC213-40	F213	5.08
UCF213-41	2-9/16		187	149	30	22	50	19	69.7	65.1	25.4	M16	UC213-41	F213	4.99
UCF214		70	193	152	31	22	54	19	75.4	74.6	30.2	M16	UC214	F214	5.85
UCF214-42	2-5/8		193	152	31	22	54	19	75.4	74.6	30.2	M16	UC214-42	F214	6.06
UCF214-43	2-11/16		193	152	31	22	54	19	75.4	74.6	30.2	M16	UC214-43	F214	5.96
UCF214-44	2-3/4		193	152	31	22	54	19	75.4	74.6	30.2	M16	UC214-44	F214	5.86
UCF215		75	200	159	34	22	56	19	78.5	77.8	33.3	M16	UC215	F215	6.91
UCF215-45	2-13/16		200	159	34	22	56	19	78.5	77.8	33.3	M16	UC215-45	F215	7.16
UCF215-46	2-7/8		200	159	34	22	56	19	78.5	77.8	33.3	M16	UC215-46	F215	7.05
UCF215-47	2-15/16		200	159	34	22	56	19	78.5	77.8	33.3	M16	UC215-47	F215	6.94
UCF215-48	3		200	159	34	22	56	19	78.5	77.8	33.3	M16	UC215-48	F215	6.82
UCF216		80	208	165	34	22	58	23	83.3	82.6	33.3	M20	UC216	F216	7.50
UCF216-49	3-1/16		208	165	34	22	58	23	83.3	82.6	33.3	M20	UC216-49	F216	7.68
UCF216-50	3-1/8		208	165	34	22	58	23	83.3	82.6	33.3	M20	UC216-50	F216	7.55
UCF216-51	3-3/16		208	165	34	22	58	23	83.3	82.6	33.3	M20	UC216-51	F216	7.50
UCF217		85	220	175	36	24	63	23	87.6	85.7	34.1	M20	UC217	F217	9.66
UCF217-52	3-1/4		220	175	36	24	63	23	87.6	85.7	34.1	M20	UC217-52	F217	9.88
UCF217-53	3-5/16		220	175	36	24	63	23	87.6	85.7	34.1	M20	UC217-53	F217	9.74
UCF217-55	3-7/16		220	175	36	24	63	23	87.6	85.7	34.1	M20	UC217-55	F217	9.45
UCF218		90	235	187	40	24	68	23	96.3	96	39.7	M20	UC218	F218	12.06
UCF218-56	3-1/2		235	187	40	24	68	23	96.3	96	39.7	M20	UC218-56	F218	12.17
UCF305			235	187	40	24	68	23	96.3	96	39.7	M20	UC305	F305	1.10
UCF305-14	7/8	25	110	80	16	13	29	16	39	38	15	M14	UC305-14	F305	1.10
UCF305-15	15/16		110	80	16	13	29	16	39	38	15	M14	UC305-15	F305	1.10
UCF305-16	1		110	80	16	13	29	16	39	38	15	M14	UC305-16	F305	1.10
UCF306		30	125	95	18	15	32	16	44	43	17	M14	UC306	F306	1.60
UCF306-18	1-1/8		125	95	18	15	32	16	44	43	17	M14	UC306-18	F306	1.60
UCF306-19	1-3/16		125	95	18	15	32	16	44	43	17	M14	UC306-19	F306	1.60
UCF307		35	135	100	20	16	36	19	49	48	19	M16	UC307	F307	2.00
UCF307-20	1-1/4		135	100	20	16	36	19	49	48	19	M16	UC307-20	F307	2.00
UCF307-21	1-5/16		135	100	20	16	36	19	49	48	19	M16	UC307-21	F307	2.00
UCF307-22	1-3/8		135	100	20	16	36	19	49	48	19	M16	UC307-22	F307	2.00
UCF308		40	150	112	23	17	40	19	56	52	19	M16	UC308	F308	2.70
UCF308-24	1-1/2		150	112	23	17	40	19	56	52	19	M16	UC308-24	F308	2.70
UCF308-25	1-9/16		150	112	23	17	40	19	56	52	19	M16	UC308-25	F308	2.70
UCF309		45	160	125	25	18	44	19	60	57	22	M16	UC309	F309	3.40
UCF309-26	1-5/8		160	125	25	18	44	19	60	57	22	M16	UC309-26	F309	3.40
UCF309-27	1-11/16		160	125	25	18	44	19	60	57	22	M16	UC309-27	F309	3.40
UCF309-28	1-3/4		160	125	25	18	44	19	60	57	22	M16	UC309-28	F309	3.40
UCF310		50	175	132	28	19	48	23	67	61	22	M20	UC310	F310	4.50
UCF310-30	1-7/8		175	132	28	19	48	23	67	61	22	M20	UC310-30	F310	4.50
UCF310-31	1-15/16		175	132	28	19	48	23	67	61	22	M20	UC310-31	F310	4.50
UCF311		55	185	140	30	20	52	23	71	66	25	M20	UC311	F311	5.50
UCF311-32	2		185	140	30	20	52	23	71	66	25	M20	UC311-32	F311	5.50
UCF311-34	2-1/8		185	140	30	20	52	23	71	66	25	M20	UC311-34	F311	5.50
UCF311-35	2-3/16		185	140	30	20	52	23	71	66	25	M20	UC311-35	F311	5.50
UCF312		55	185	140	30	20	52	23	71	66	25	M20	UC312	F312	6.50
UCF312-36	2-1/4		185	140	30	20	52	23	71	66	25	M20	UC312-36	F312	6.50
UCF312-38	2-3/8		185	140	30	20	52	23	71	66	25	M20	UC312-38	F312	6.50
UCF312-39	2-7/16		185	140	30	20	52	23	71	66	25	M20	UC312-39	F312	6.50
UCF313		65	208	166	33	22	58	23	78	75	30	M20	UC313	F313	7.90
UCF313-40	2-1/2		208	166	33	22	58	23	78	75	30	M20	UC313-40	F313	7.90
UCF314		70	226	178	36	25	61	25	81	78	31	M22	UC314	F314	9.50
UCF314-44	2-3/4		226	178	36	25	61	25	81	78	31	M22	UC314-44	F314	9.50
UCF315		75	236	184	39	25	66	25	89	82	32	M22	UC315	F315	12.00

ISO	Dimensions (mm)											Bolt Size	Bearing No.	Housing No.	Weight (kg)
	d (in)	d	a	e	i	g	l	s	z	B	n				
UCF315-48	3		236	184	39	25	66	25	89	82	32	M22	UC315-48	F315	12.00
UCF316		80	250	196	38	27	68	31	90	86	34	M27	UC316	F316	14.00
UCF317		85	260	204	44	27	74	31	100	96	40	M27	UC317	F317	16.00
UCF317-48	3-1/4		260	204	44	27	74	31	100	96	40	M27	UC317-48	F317	16.00
UCF318		90	280	216	44	30	76	35	100	96	40	M30	UC318	F318	19.00
UCF318-56	3-1/2		280	216	44	30	76	35	100	96	40	M30	UC318-56	F318	19.00
UCF319		95	290	228	59	30	94	35	121	103	41	M30	UC319	F319	22.00
UCF319-60	3-3/4		290	228	59	30	94	35	121	103	41	M30	UC319-60	F319	22.00
UCF320		100	310	242	59	32	94	38	125	108	42	M33	UC320	F320	26.00
UCF320-64	4		310	242	59	32	94	38	125	108	42	M33	UC320-64	F320	26.00
UCF321		105	310	242	59	32	94	38	127	112	44	M33	UC321	F321	28.00
UCF322		110	340	266	60	35	96	41	131	117	46	M36	UC322	F322	32.00
UCF324		120	370	290	65	40	110	41	140	126	51	M36	UC324	F324	44.00
UCF326		130	410	320	65	45	115	41	146	135	54	M36	UC326	F326	58.00
UCF328		140	450	350	75	55	125	41	161	145	59	M36	UC328	F328	75.00



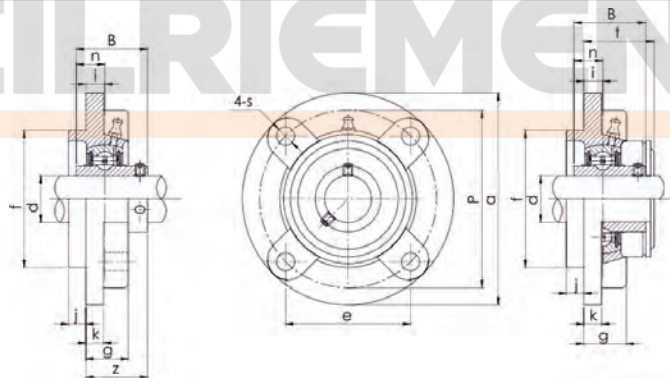
ISO	Dimensions (mm)														Bolt Size	Bearing No.	Housing No.	Weight (kg)
	d (in)	d	a	e	i	g	l	S	b	Z	f	c	B	n				
UCFA201		12	98	78	15	12	25.5	10	60	33.3	40	50	31.0	12.7	M8	UC201	FA201	0.50
UCFA201-8	3/4		98	78	15	12	25.5	10	60	33.3	40	50	31.0	12.7	M8	UC201-8	FA201	0.49
UCFA202		15	98	78	15	12	25.5	10	60	33.3	40	50	31.0	12.7	M8	UC202	FA202	0.49
UCFA202-9	9/16		98	78	15	12	25.5	10	60	33.3	40	50	31.0	12.7	M8	UC202-9	FA202	0.48
UCFA202-10	5/8		98	78	15	12	25.5	10	60	33.3	40	50	31.0	12.7	M8	UC202-10	FA202	0.48
UCFA203		17	98	78	15	12	25.5	10	60	33.3	40	50	31.0	12.7	M8	UC203	FA203	0.48
UCFA203-11	11/16		98	78	15	12	25.5	10	60	33.3	40	50	31	12.7	M8	UC203-11	FA203	0.47
UCFA204		20	98	78	15	12	25.5	10	60	33.3	40	50	31.0	12.7	M8	UC204	FA204	0.46
UCFA204-12	3/4		98	78	15	12	25.5	10	60	33.3	40	50	31	12.7	M8	UC204-12	FA204	0.46
UCFA205		25	124	98	16	14	27.0	13	70	35.8	51	65	34.1	14.3	M10	UC205	FA205	0.66
UCFA205-13	13/16		124	98	16	14	27.0	13	70	35.8	51	65	34.1	14.3	M10	UC205-13	FA205	0.70
UCFA205-14	7/8		124	98	16	14	27.0	13	70	35.8	51	65	34.1	14.3	M10	UC205-14	FA205	0.69
UCFA205-15	15/16		124	98	16	14	27.0	13	70	35.8	51	65	34.1	14.3	M10	UC205-15	FA205	0.67
UCFA205-16	1		124	98	16	14	27	13	70	35.8	51	65	34.1	14.3	M10	UC205-16	FA205	0.66
UCFA206		30	141	115	18	14	31.0	13	83	40.2	58	72	38.1	15.9	M10	UC206	FA206	0.93
UCFA206-17	1-1/16		141	115	18	14	31.0	13	83	40.2	58	72	38.1	15.9	M10	UC206-17	FA206	0.94
UCFA206-18	1-1/8		141	115	18	14	31.0	13	83	40.2	58	72	38.1	15.9	M10	UC206-18	FA206	0.95
UCFA206-19	1-3/16		141	115	18	14	31.0	13	83	40.2	58	72	38.1	15.9	M10	UC206-19	FA206	0.93
UCFA206-20	1-1/4		141	115	18	14	31	13	83	40.2	58	72	38.1	15.9	M10	UC206-20	FA206	0.92
UCFA207		35	155	128	19	16	34.0	15	96	44.4	66	82	42.9	17.5	M12	UC207	FA207	1.46
UCFA207-20	1-1/4		155	128	19	16	34.0	15	96	44.4	66	82	42.9	17.5	M12	UC207-20	FA207	1.52
UCFA207-21	1-5/16		155	128	19	16	34.0	15	96	44.4	66	82	42.9	17.5	M12	UC207-21	FA207	1.49

ISO	Dimensions (mm)															Bolt Size	Bearing No.	Housing No.	Weight (kg)
	d (in)	d	a	e	i	g	l	S	b	Z	f	c	B	n					
UCFA207-22	1-3/8	155	128	19	16	34.0	15	96	44.4	66	82	42.9	17.5	M12	UC207-22	FA207	1.46		
UCFA207-23	1-7/16	155	128	19	16	34	15	96	44.4	66	82	42.9	17.5	M12	UC207-23	FA207	1.43		
UCFA208		40	171	142	21	16	38.0	15	105	51.2	71	87	49.2	19.0	M12	UC208	FA208	1.78	
UCFA208-24	1-1/2		171	142	21	16	38.0	15	105	51.2	71	87	49.2	19.0	M12	UC208-24	FA208	1.82	
UCFA208-25	1-9/16		171	142	21	16	38	15	105	51.2	71	87	49.2	19	M12	UC208-25	FA208	1.79	
UCFA209		45	179	146	22	18	40.0	17	111	52.2	72	90	49.2	19.0	M14	UC209	FA209	2.03	
UCFA209-26	1-5/8		179	146	22	18	40.0	17	111	52.2	72	90	49.2	19.0	M14	UC209-26	FA209	2.13	
UCFA209-27	1-11/16		179	146	22	18	40.0	17	111	52.2	72	90	49.2	19.0	M14	UC209-27	FA209	2.09	
UCFA209-28	1-3/4		179	146	22	18	40	17	111	52.2	72	90	49.2	19	M14	UC209-28	FA209	2.05	
UCFA210		50	189	155	22	18	40.0	17	116	54.6	76	94	51.6	19.0	M14	UC210	FA210	2.23	
UCFA210-29	1-13/16		189	155	22	18	40.0	17	116	54.6	76	94	51.6	19.0	M15	UC210-29	FA210	2.35	
UCFA210-30	1-7/8		189	155	22	18	40.0	17	116	54.6	76	94	51.6	19.0	M16	UC210-30	FA210	2.30	
UCFA210-31	1-15/16		189	155	22	18	40.0	17	116	54.6	76	94	51.6	19.0	M17	UC210-31	FA210	2.25	
UCFA210-32	2		189	155	22	18	40.0	17	116	54.6	76	94	51.6	19.0	M18	UC210-32	FA210	2.21	



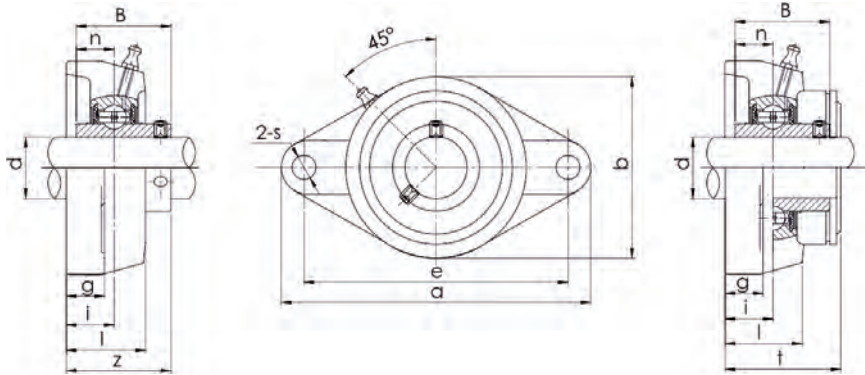
ISO	Dimensions (mm)															Bolt Size	Bearing No.	Housing No.	Weight (kg)	
	d (in)	d	w	b	k	a	l	s	g	h	j	e	i	z	B					n
UCFB201		12	110	62	52	52	25.5	10	13	42	27	32	15	33.3	31.0	12.7	M8	UC201	FB201	0.58
UCFB201-8	3/4		110	62	52	52	25.5	10	13	42	27	32	15	33.3	31.0	12.7	M8	UC201-8	FB201	0.57
UCFB202		15	110	62	52	52	25.5	10	13	42	27	32	15	33.3	31.0	12.7	M8	UC202	FB202	0.57
UCFB202-9	9/16		110	62	52	52	25.5	10	13	42	27	32	15	33.3	31.0	12.7	M8	UC202-9	FB202	0.56
UCFB202-10	5/8		110	62	52	52	25.5	10	13	42	27	32	15	33.3	31.0	12.7	M8	UC202-10	FB202	0.56
UCFB203		17	110	62	52	52	25.5	10	13	42	27	32	15	33.3	31.0	12.7	M8	UC203	FB203	0.56
UCFB203-11	11/16		110	62	52	52	25.5	10	13	42	27	32	15	33.3	31.0	12.7	M8	UC203-11	FB203	0.55
UCFB204		20	110	62	52	52	25.5	10	13	42	27	32	15	33.3	31.0	12.7	M8	UC204	FB204	0.54
UCFB204-12	3/4		110	62	52	52	25.5	10	13	42	27	32	15	33.3	31.0	12.7	M8	UC204-12	FB204	0.54
UCFB205		25	116	68	56	56	27.0	10	13	45	27	34	16	35.8	34.1	14.3	M8	UC205	FB205	0.79
UCFB205-13	13/16		116	68	56	56	27.0	10	13	45	27	34	16	35.8	34.1	14.3	M8	UC205-13	FB205	0.83
UCFB205-14	7/8		116	68	56	56	27.0	10	13	45	27	34	16	35.8	34.1	14.3	M8	UC205-14	FB205	0.82
UCFB205-15	15/16		116	68	56	56	27.0	10	13	45	27	34	16	35.8	34.1	14.3	M8	UC205-15	FB205	0.80
UCFB205-16	1		116	68	56	56	27.0	10	13	45	27	34	16	35.8	34.1	14.3	M8	UC205-16	FB205	0.79
UCFB206		30	130	78	65	65	31.0	10	13	50	29	40	18	40.2	38.1	15.9	M8	UC206	FB206	0.95
UCFB206-17	1-1/16		130	78	65	65	31.0	10	13	50	29	40	18	40.2	38.1	15.9	M8	UC206-17	FB206	0.96
UCFB206-18	1-1/8		130	78	65	65	31.0	10	13	50	29	40	18	40.2	38.1	15.9	M8	UC206-18	FB206	0.97
UCFB206-19	1-3/16		130	78	65	65	31.0	10	13	50	29	40	18	40.2	38.1	15.9	M8	UC206-19	FB206	0.95
UCFB206-20	1-1/4		130	78	65	65	31.0	10	13	50	29	40	18	40.2	38.1	15.9	M8	UC206-20	FB206	0.94
UCFB207		35	144	90	70	70	34.0	10	15	55	32	46	19	44.4	42.9	17.5	M8	UC207	FB207	1.29
UCFB207-20	1-1/4		144	90	70	70	34.0	10	15	55	32	46	19	44.4	42.9	17.5	M8	UC207-20	FB207	1.35
UCFB207-21	1-5/16		144	90	70	70	34.0	10	15	55	32	46	19	44.4	42.9	17.5	M8	UC207-21	FB207	1.32
UCFB207-22	1-3/8		144	90	70	70	34.0	10	15	55	32	46	19	44.4	42.9	17.5	M8	UC207-22	FB207	1.29

ISO	Dimensions (mm)															Bolt Size	Bearing No.	Housing No.	Weight (kg)	
	d (in)	d	w	b	k	a	l	s	g	h	j	e	i	z	B					n
UCFB207-23	1-7/16	144	90	70	70	34.0	10	15	55	32	46	19	44.4	42.9	17.5	M8	UC207-23	FB207	1.26	
UCFB208		40	164	100	78	78	36.0	12	16	60	41	50	21	51.2	49.2	19	M10	UC208	FB208	1.78
UCFB208-24	1-1/2	164	100	78	78	36.0	12	16	60	41	50	21	51.2	49.2	19	M10	UC208-24	FB208	1.82	
UCFB208-25	1-9/16	164	100	78	78	36.0	12	16	60	41	50	21	51.2	49.2	19	M10	UC208-25	FB208	1.79	
UCFB209		45	174	106	80	80	38.0	12	18	65	43	54	22	52.2	49.2	19	M10	UC209	FB209	1.91
UCFB209-26	1-5/8	174	106	80	80	38.0	12	18	65	43	54	22	52.2	49.2	19	M10	UC209-26	FB209	2.01	
UCFB209-27	1-11/16	174	106	80	80	38.0	12	18	65	43	54	22	52.2	49.2	19	M10	UC209-27	FB209	1.97	
UCFB209-28	1-3/4	174	106	80	80	38.0	12	18	65	43	54	22	52.2	49.2	19	M10	UC209-28	FB209	1.93	
UCFB210		50	184	112	86	86	40.0	12	18	68	46	58	22	54.6	51.6	19	M10	UC210	FB210	2.36
UCFB210-29	1-13/16	184	112	86	86	40.0	12	18	68	46	58	22	54.6	51.6	19	M10	UC210-29	FB210	2.48	
UCFB210-30	1-7/8	184	112	86	86	40.0	12	18	68	46	58	22	54.6	51.6	19	M10	UC210-30	FB210	2.43	
UCFB210-31	1-15/16	184	112	86	86	40.0	12	18	68	46	58	22	54.6	51.6	19	M10	UC210-31	FB210	2.38	
UCFB210-32	2	184	112	86	86	40.0	12	18	68	46	58	22	54.6	51.6	19	M10	UC210-32	FB210	2.34	
UCFB211		55	207	130	90	90	43.0	14	18	78	50	62	25	58.4	55.6	22.2	M12	UC211	FB211	3.15
UCFB211-32	2	207	130	90	90	43.0	14	18	78	50	62	25	58.4	55.6	22.2	M12	UC211-32	FB211	3.30	
UCFB211-33	2-1/16	207	130	90	90	43.0	14	18	78	50	62	25	58.4	55.6	22.2	M12	UC211-33	FB211	3.24	
UCFB211-34	2-1/8	207	130	90	90	43.0	14	18	78	50	62	25	58.4	55.6	22.2	M12	UC211-34	FB211	3.19	
UCFB211-35	2-3/16	207	130	90	90	43.0	14	18	78	50	62	25	58.4	55.6	22.2	M12	UC211-35	FB211	3.13	
UCFB212		60	223	140	94	94	48.0	14	18	84	55	66	29	68.7	65.1	25.4	M12	UC212	FB212	3.99
UCFB212-36	2-1/4	223	140	94	94	48.0	14	18	84	55	66	29	68.7	65.1	25.4	M12	UC212-36	FB212	4.12	
UCFB212-37	2-5/16	223	140	94	94	48.0	14	18	84	55	66	29	68.7	65.1	25.4	M12	UC212-37	FB212	4.04	
UCFB212-38	2-3/8	223	140	94	94	48.0	14	18	84	55	66	29	68.7	65.1	25.4	M12	UC212-38	FB212	3.97	
UCFB212-39	2-7/16	223	140	94	94	48.0	14	18	84	55	66	29	68.7	65.1	25.4	M12	UC212-39	FB212	3.90	



ISO	Dimensions (mm)															Bolt Size	Bearing No.	Housing No.	Weight (kg)
	d (in)	d	a	P	e	i	s	j	k	g	f	z	t	B	n				
UCFC201		12	100	78	55.1	10	12	5	7	20.5	62	28.3	32.5	31.0	12.7	M10	UC201	FC201	0.73
UCFC201-8	3/4	100	78	55.1	10	12	5	7	20.5	62	28.3	32.5	31.0	12.7	M10	UC201-8	FC201	0.72	
UCFC202		15	100	78	55.1	10	12	5	7	20.5	62	28.3	32.5	31.0	12.7	M10	UC202	FC202	0.72
UCFC202-9	9/16	100	78	55.1	10	12	5	7	20.5	62	28.3	32.5	31.0	12.7	M10	UC202-9	FC202	0.71	
UCFC202-10	5/8	100	78	55.1	10	12	5	7	20.5	62	28.3	32.5	31.0	12.7	M10	UC202-10	FC202	0.71	
UCFC203		17	100	78	55.1	10	12	5	7	20.5	62	28.3	32.5	31.0	12.7	M10	UC203	FC203	0.71
UCFC203-11	11/16	100	78	55.1	10	12	5	7	20.5	62	28.3	32.5	31.0	12.7	M10	UC203-11	FC203	0.70	
UCFC204		20	100	78	55.1	10	12	5	7	20.5	62	28.3	32.5	31.0	12.7	M10	UC204	FC204	0.69
UCFC204-12	3/4	100	78	55.1	10	12	5	7	20.5	62	28.3	32.5	31.0	12.7	M10	UC204-12	FC204	0.69	
UCFC205		25	115	90	63.6	10	12	6	7	21.0	70	29.8	34.0	34.1	14.3	M10	UC205	FC205	1.00
UCFC205-13	13/16	115	90	63.6	10	12	6	7	21.0	70	29.8	34.0	34.1	14.3	M10	UC205-13	FC205	1.04	
UCFC205-14	7/8	115	90	63.6	10	12	6	7	21.0	70	29.8	34.0	34.1	14.3	M10	UC205-14	FC205	1.03	
UCFC205-15	15/16	115	90	63.6	10	12	6	7	21.0	70	29.8	34.0	34.1	14.3	M10	UC205-15	FC205	1.01	
UCFC205-16	1	115	90	63.6	10	12	6	7	21.0	70	29.8	34.0	34.1	14.3	M10	UC205-16	FC205	1.00	

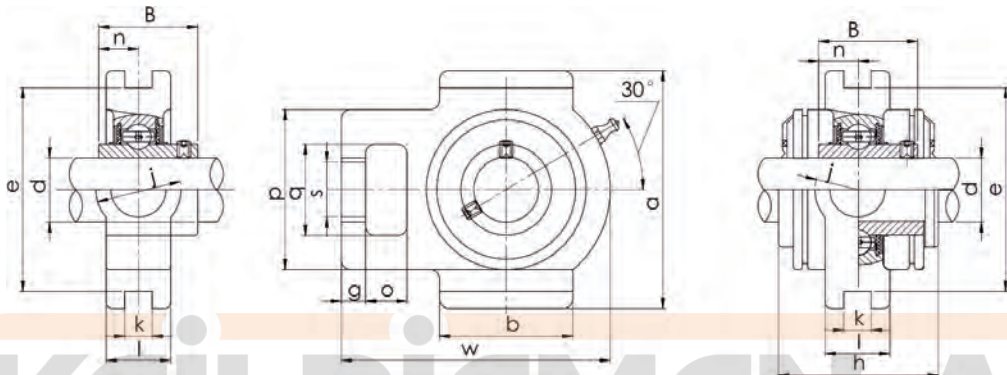
ISO	Dimensions (mm)															Bolt Size	Bearing No.	Housing No.	Weight (kg)
	d (in)	d	a	P	e	i	s	j	k	g	f	z	t	B	n				
UCFC206		30	125	100	70.7	10	12	8	8	23.0	80	32.2	36.5	38.1	15.9	M10	UC206	FC206	1.30
UCFC206-17	1-1/16		125	100	70.7	10	12	8	8	23.0	80	32.2	36.5	38.1	15.9	M10	UC206-17	FC206	1.31
UCFC206-18	1-1/8		125	100	70.7	10	12	8	8	23.0	80	32.2	36.5	38.1	15.9	M10	UC206-18	FC206	1.32
UCFC206-19	1-3/16		125	100	70.7	10	12	8	8	23.0	80	32.2	36.5	38.1	15.9	M10	UC206-19	FC206	1.30
UCFC206-20	1-1/4		125	100	70.7	10	12	8	8	23.0	80	32.2	36.5	38.1	15.9	M10	UC206-20	FC206	1.29
UCFC207		35	135	110	77.8	11	14	8	9	26.0	90	36.4	41.0	42.9	17.5	M12	UC207	FC207	1.81
UCFC207-20	1-1/4		135	110	77.8	11	14	8	9	26.0	90	36.4	41.0	42.9	17.5	M12	UC207-20	FC207	1.87
UCFC207-21	1-5/16		135	110	77.8	11	14	8	9	26.0	90	36.4	41.0	42.9	17.5	M12	UC207-21	FC207	1.84
UCFC207-22	1-3/8		135	110	77.8	11	14	8	9	26.0	90	36.4	41.0	42.9	17.5	M12	UC207-22	FC207	1.81
UCFC207-23	1-7/16		135	110	77.8	11	14	8	9	26.0	90	36.4	41.0	42.9	17.5	M12	UC207-23	FC207	1.78
UCFC208		40	145	120	84.8	11	14	10	9	26.0	100	41.2	45.5	49.2	19.0	M12	UC208	FC208	2.14
UCFC208-24	1-1/2		145	120	84.8	11	14	10	9	26.0	100	41.2	45.5	49.2	19.0	M12	UC208-24	FC208	2.18
UCFC208-25	1-9/16		145	120	84.8	11	14	10	9	26.0	100	41.2	45.5	49.2	19.0	M12	UC208-25	FC208	2.15
UCFC209		45	160	132	93.3	10	16	12	14	26.0	105	40.2	44.5	49.2	19.0	M14	UC209	FC209	2.68
UCFC209-26	1-5/8		160	132	93.3	10	16	12	14	26.0	105	40.2	44.5	49.2	19.0	M14	UC209-26	FC209	2.78
UCFC209-27	1-11/16		160	132	93.3	10	16	12	14	26.0	105	40.2	44.5	49.2	19.0	M14	UC209-27	FC209	2.74
UCFC209-28	1-3/4		160	132	93.3	10	16	12	14	26.0	105	40.2	44.5	49.2	19.0	M14	UC209-28	FC209	2.70
UCFC210		50	165	138	97.6	10	16	12	14	28.0	110	42.6	47.5	51.6	19.0	M14	UC210	FC210	2.90
UCFC210-29	1-13/16		165	138	97.6	10	16	12	14	28.0	110	42.6	47.5	51.6	19.0	M14	UC210-29	FC210	3.02
UCFC210-30	1-7/8		165	138	97.6	10	16	12	14	28.0	110	42.6	47.5	51.6	19.0	M14	UC210-30	FC210	2.97
UCFC210-31	1-15/16		165	138	97.6	10	16	12	14	28.0	110	42.6	47.5	51.6	19.0	M14	UC210-31	FC210	2.92
UCFC210-32	2		165	138	97.6	10	16	12	14	28.0	110	42.6	47.5	51.6	19.0	M14	UC210-32	FC210	2.88
UCFC211		55	185	150	106.1	13	19	12	15	31.0	125	46.4	51.0	55.6	22.2	M16	UC211	FC211	4.01
UCFC211-32	2		185	150	106.1	13	19	12	15	31.0	125	46.4	51.0	55.6	22.2	M16	UC211-32	FC211	4.16
UCFC211-33	2-1/16		185	150	106.1	13	19	12	15	31.0	125	46.4	51.0	55.6	22.2	M16	UC211-33	FC211	4.10
UCFC211-34	2-1/8		185	150	106.1	13	19	12	15	31.0	125	46.4	51.0	55.6	22.2	M16	UC211-34	FC211	4.05
UCFC211-35	2-3/16		185	150	106.1	13	19	12	15	31.0	125	46.4	51.0	55.6	22.2	M16	UC211-35	FC211	3.99
UCFC212		60	195	160	113.1	17	19	12	15	36.0	135	56.7	61.5	65.1	25.4	M16	UC212	FC212	4.94
UCFC212-36	2-1/4		195	160	113.1	17	19	12	15	36.0	135	56.7	61.5	65.1	25.4	M16	UC212-36	FC212	5.07
UCFC212-37	2-5/16		195	160	113.1	17	19	12	15	36.0	135	56.7	61.5	65.1	25.4	M16	UC212-37	FC212	4.99
UCFC212-38	2-3/8		195	160	113.1	17	19	12	15	36.0	135	56.7	61.5	65.1	25.4	M16	UC212-38	FC212	4.92
UCFC212-39	2-7/16		195	160	113.1	17	19	12	15	36.0	135	56.7	61.5	65.1	25.4	M16	UC212-39	FC212	4.85
UCFC213		65	205	170	120.2	16	19	14	15	36.0	145	55.7	60.5	65.1	25.4	M16	UC213	FC213	5.65
UCFC213-40	2-1/2		205	170	120.2	16	19	14	15	36.0	145	55.7	60.5	65.1	25.4	M16	UC213-40	FC213	5.74
UCFC213-41	2-9/16		205	170	120.2	16	19	14	15	36.0	145	55.7	60.5	65.1	25.4	M16	UC213-41	FC213	5.65
UCFC214		70	215	177	125.1	17	19	14	18	40.0	150	61.4	-	74.6	30.2	M16	UC214	FC214	6.95
UCFC214-42	2-5/8		215	177	125.1	17	19	14	18	40.0	150	61.4	-	74.6	30.2	M16	UC214-42	FC214	7.16
UCFC214-43	2-11/16		215	177	125.1	17	19	14	18	40.0	150	61.4	-	74.6	30.2	M16	UC214-43	FC214	7.06
UCFC214-44	2-3/4		215	177	125.1	17	19	14	18	40.0	150	61.4	-	74.6	30.2	M16	UC214-44	FC214	6.96
UCFC215		75	220	184	130.1	18	19	16	18	40.0	160	62.5	-	77.8	33.3	M16	UC215	FC215	7.56
UCFC215-45	2-13/16		220	184	130.1	18	19	16	18	40.0	160	62.5	-	77.8	33.3	M16	UC215-45	FC215	7.81
UCFC215-46	2-7/8		220	184	130.1	18	19	16	18	40.0	160	62.5	-	77.8	33.3	M16	UC215-46	FC215	7.70
UCFC215-47	2-15/16		220	184	130.1	18	19	16	18	40.0	160	62.5	-	77.8	33.3	M16	UC215-47	FC215	7.59
UCFC215-48	3		220	184	130.1	18	19	16	18	40.0	160	62.5	-	77.8	33.3	M16	UC215-48	FC215	7.47
UCFC216		80	240	200	141.4	18	23	16	18	42.0	170	67.3	-	82.6	33.3	M20	UC216	FC216	9.15
UCFC216-49	3-1/16		240	200	141.4	18	23	16	18	42.0	170	67.3	-	82.6	33.3	M20	UC216-49	FC216	9.33
UCFC216-50	3-1/8		240	200	141.4	18	23	16	18	42.0	170	67.3	-	82.6	33.3	M20	UC216-50	FC216	9.20
UCFC216-51	3-3/16		240	200	141.4	18	23	16	18	42.0	170	67.3	-	82.6	33.3	M20	UC216-51	FC216	9.15
UCFC217		85	250	208	147.1	18	23	18	20	45.0	180	69.6	-	85.7	34.1	M20	UC217	FC217	10.81
UCFC217-52	3-1/4		250	208	147.1	18	23	18	20	45.0	180	69.6	-	85.7	34.1	M20	UC217-52	FC217	11.03
UCFC217-53	3-5/16		250	208	147.1	18	23	18	20	45.0	180	69.6	-	85.7	34.1	M20	UC217-53	FC217	10.89
UCFC217-55	3-7/16		250	208	147.1	18	23	18	20	45.0	180	69.6	-	85.7	34.1	M20	UC217-55	FC217	10.60
UCFC218		90	265	220	155.5	22	23	18	20	50.0	190	78.3	-	96.0	39.7	M20	UC218	FC218	12.96
UCFC218-56	3-1/2		265	220	155.5	22	23	18	20	50.0	190	78.3	-	96.0	39.7	M20	UC218-56	FC218	13.07



ISO	Dimensions (mm)												Bolt Size	Bearing No.	Housing No.	Weight (kg)
	d (in)	d	a	e	i	g	l	s	b	z	B	n				
UCFL201		12	113	90	15	11	25.5	12	60	33.3	31	12.7	M10	UC201	FL201	0.45
UCFL201-8	3/4		113	90	15	11	25.5	12	60	33.3	31	12.7	M10	UC201-8	FL201	0.44
UCFL202		15	113	90	15	11	25.5	12	60	33.3	31	12.7	M10	UC202	FL202	0.44
UCFL202-9	9/16		113	90	15	11	25.5	12	60	33.3	31	12.7	M10	UC202-9	FL202	0.43
UCFL202-10	5/8		113	90	15	11	25.5	12	60	33.3	31	12.7	M10	UC202-10	FL202	0.43
UCFL203		17	113	90	15	11	25.5	12	60	33.3	31	12.7	M10	UC203	FL203	0.43
UCFL203-11	11/16		113	90	15	11	25.5	12	60	33.3	31	12.7	M10	UC203-11	FL203	0.42
UCFL204		20	113	90	15	11	25.5	12	60	33.3	31	12.7	M10	UC204	FL204	0.41
UCFL204-12	3/4		113	90	15	11	25.5	12	60	33.3	31	12.7	M10	UC204-12	FL204	0.41
UCFL205		25	130	99	16	13	27	16	68	35.8	34.1	14.3	M14	UC205	FL205	0.58
UCFL205-13	13/16		130	99	16	13	27	16	68	35.8	34.1	14.3	M14	UC205-13	FL205	0.62
UCFL205-14	7/8		130	99	16	13	27	16	68	35.8	34.1	14.3	M14	UC205-14	FL205	0.61
UCFL205-15	15/16		130	99	16	13	27	16	68	35.8	34.1	14.3	M14	UC205-15	FL205	0.59
UCFL205-16	1		130	99	16	13	27	16	68	35.8	34.1	14.3	M14	UC205-16	FL205	0.58
UCFL206		30	148	117	18	13	31	16	80	40.2	38.1	15.9	M14	UC206	FL206	0.86
UCFL206-17	1-1/16		148	117	18	13	31	16	80	40.2	38.1	15.9	M14	UC206-17	FL206	0.87
UCFL206-18	1-1/8		148	117	18	13	31	16	80	40.2	38.1	15.9	M14	UC206-18	FL206	0.88
UCFL206-19	1-3/16		148	117	18	13	31	16	80	40.2	38.1	15.9	M14	UC206-19	FL206	0.86
UCFL206-20	1-1/4		148	117	18	13	31	16	80	40.2	38.1	15.9	M14	UC206-20	FL206	0.85
UCFL207		35	161	130	19	14	34	16	90	44.4	42.9	17.5	M14	UC207	FL207	1.08
UCFL207-20	1-1/4		161	130	19	14	34	16	90	44.4	42.9	17.5	M14	UC207-20	FL207	1.14
UCFL207-21	1-5/16		161	130	19	14	34	16	90	44.4	42.9	17.5	M14	UC207-21	FL207	1.11
UCFL207-22	1-3/8		161	130	19	14	34	16	90	44.4	42.9	17.5	M14	UC207-22	FL207	1.08
UCFL207-23	1-7/16		161	130	19	14	34	16	90	44.4	42.9	17.5	M14	UC207-23	FL207	1.05
UCFL208		40	175	144	21	14	36	16	100	51.2	49.2	19	M14	UC208	FL208	1.44
UCFL208-24	1-1/2		175	144	21	14	36	16	100	51.2	49.2	19	M14	UC208-24	FL208	1.48
UCFL208-25	1-9/16		175	144	21	14	36	16	100	51.2	49.2	19	M14	UC208-25	FL208	1.45
UCFL209		45	188	148	22	15	38	19	108	52.2	49.2	19	M16	UC209	FL209	1.74
UCFL209-26	1-5/8		188	148	22	15	38	19	108	52.2	49.2	19	M16	UC209-26	FL209	1.84
UCFL209-27	1-11/16		188	148	22	15	38	19	108	52.2	49.2	19	M16	UC209-27	FL209	1.80
UCFL209-28	1-3/4		188	148	22	15	38	19	108	52.2	49.2	19	M16	UC209-28	FL209	1.76
UCFL210		50	197	157	22	15	40	19	115	54.6	51.6	19	M16	UC210	FL210	2.10
UCFL210-29	1-13/16		197	157	22	15	40	19	115	54.6	51.6	19	M16	UC210-29	FL210	2.22
UCFL210-30	1-7/8		197	157	22	15	40	19	115	54.6	51.6	19	M16	UC210-30	FL210	2.17
UCFL210-31	1-15/16		197	157	22	15	40	19	115	54.6	51.6	19	M16	UC210-31	FL210	2.12
UCFL210-32	2		197	157	22	15	40	19	115	54.6	51.6	19	M16	UC210-32	FL210	2.08
UCFL211		55	224	184	25	18	43	19	130	58.4	55.6	22.2	M16	UC211	FL211	2.91
UCFL211-32	2		224	184	25	18	43	19	130	58.4	55.6	22.2	M16	UC211-32	FL211	3.06
UCFL211-33	2-1/16		224	184	25	18	43	19	130	58.4	55.6	22.2	M16	UC211-33	FL211	3.00
UCFL211-34	2-1/8		224	184	25	18	43	19	130	58.4	55.6	22.2	M16	UC211-34	FL211	2.95
UCFL211-35	2-3/16		224	184	25	18	43	19	130	58.4	55.6	22.2	M16	UC211-35	FL211	2.89
UCFL212		60	250	202	29	18	48	23	140	68.7	65.1	25.4	M20	UC212	FL212	3.74
UCFL212-36	2-1/4		250	202	29	18	48	23	140	68.7	65.1	25.4	M20	UC212-36	FL212	3.87

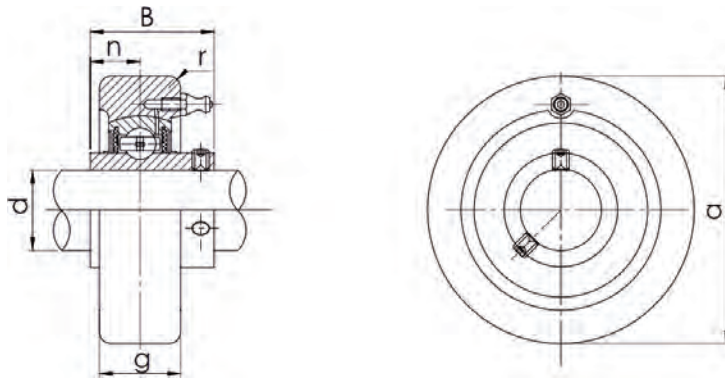
ISO	Dimensions (mm)												Bolt Size	Bearing No.	Housing No.	Weight (kg)
	d (in)	d	a	e	i	g	l	s	b	z	B	n				
UCFL212-37	2-5/16		250	202	29	18	48	23	140	68.7	65.1	25.4	M20	UC212-37	FL212	3.79
UCFL212-38	2-3/8		250	202	29	18	48	23	140	68.7	65.1	25.4	M20	UC212-38	FL212	3.72
UCFL212-39	2-7/16		250	202	29	18	48	23	140	68.7	65.1	25.4	M20	UC212-39	FL212	3.65
UCFL213		65	258	210	30	22	50	23	155	69.7	65.1	25.4	M20	UC213	FL213	4.57
UCFL213-40	2-1/2		258	210	30	22	50	23	155	69.7	65.1	25.4	M20	UC213-40	FL213	4.66
UCFL213-41	2-9/16		258	210	30	22	50	23	155	69.7	65.1	25.4	M20	UC213-41	FL213	4.57
UCFL214		70	265	216	31	22	54	23	160	75.4	74.6	30.2	M20	UC214	FL214	5.11
UCFL214-42	2-5/8		265	216	31	22	54	23	160	75.4	74.6	30.2	M20	UC214-42	FL214	5.32
UCFL214-43	2-11/16		265	216	31	22	54	23	160	75.4	74.6	30.2	M20	UC214-43	FL214	5.22
UCFL214-44	2-3/4		265	216	31	22	54	23	160	75.4	74.6	30.2	M20	UC214-44	FL214	5.12
UCFL215		75	275	225	34	22	56	23	165	78.5	77.8	33.3	M20	UC215	FL215	5.37
UCFL215-45	2-13/16		275	225	34	22	56	23	165	78.5	77.8	33.3	M20	UC215-45	FL215	5.62
UCFL215-46	2-7/8		275	225	34	22	56	23	165	78.5	77.8	33.3	M20	UC215-46	FL215	5.51
UCFL215-47	2-15/16		275	225	34	22	56	23	165	78.5	77.8	33.3	M20	UC215-47	FL215	5.40
UCFL215-48	3		275	225	34	22	56	23	165	78.5	77.8	33.3	M20	UC215-48	FL215	5.28
UCFL216		80	290	233	34	22	58	25	180	83.3	82.6	33.3	M22	UC216	FL216	7.20
UCFL216-49	3-1/16		290	233	34	22	58	25	180	83.3	82.6	33.3	M22	UC216-49	FL216	7.38
UCFL216-50	3-1/8		290	233	34	22	58	25	180	83.3	82.6	33.3	M22	UC216-50	FL216	7.25
UCFL216-51	3-3/16		290	233	34	22	58	25	180	83.3	82.6	33.3	M22	UC216-51	FL216	7.20
UCFL217		85	305	248	36	24	63	25	190	87.6	85.7	34.1	M22	UC217	FL217	8.61
UCFL217-52	3-1/4		305	248	36	24	63	25	190	87.6	85.7	34.1	M22	UC217-52	FL217	8.83
UCFL217-53	3-5/16		305	248	36	24	63	25	190	87.6	85.7	34.1	M22	UC217-53	FL217	8.69
UCFL217-55	3-7/16		305	248	36	24	63	25	190	87.6	85.7	34.1	M22	UC217-55	FL217	8.40
UCFL218		90	320	265	40	24	68	25	205	96.3	96	39.7	M22	UC218	FL218	10.51
UCFL218-56	3-1/2		320	265	40	24	68	25	205	96.3	96	39.7	M22	UC218-56	FL218	10.62
UCFL305		25	150	113	16	13	29	19	80	39	38	15	M16	UC305	FL305	1.10
UCFL305-14	7/8		150	113	16	13	29	19	80	39	38	15	M16	UC305-14	FL305	1.10
UCFL305-15	15/16		150	113	16	13	29	19	80	39	38	15	M16	UC305-15	FL305	1.10
UCFL305-16	1		150	113	16	13	29	19	80	39	38	15	M16	UC305-16	FL305	1.10
UCFL306		30	180	134	18	15	32	23	90	44	43	17	M20	UC306	FL306	1.50
UCFL306-18	1-1/8		180	134	18	15	32	23	90	44	43	17	M20	UC306-18	FL306	1.50
UCFL306-19	1-3/16		180	134	18	15	32	23	90	44	43	17	M20	UC306-19	FL306	1.50
UCFL307		35	185	141	20	16	36	23	100	49	48	19	M20	UC307	FL307	1.90
UCFL307-20	1-1/4		185	141	20	16	36	23	100	49	48	19	M20	UC307-20	FL307	1.90
UCFL307-21	1-5/16		185	141	20	16	36	23	100	49	48	19	M20	UC307-21	FL307	1.90
UCFL307-22	1-3/8		185	141	20	16	36	23	100	49	48	19	M20	UC307-22	FL307	1.90
UCFL308		40	200	158	23	17	40	23	112	56	52	19	M20	UC308	FL308	2.50
UCFL308-24	1-1/2		200	158	23	17	40	23	112	56	52	19	M20	UC308-24	FL308	2.50
UCFL308-25	1-9/16		200	158	23	17	40	23	112	56	52	19	M20	UC308-25	FL308	2.50
UCFL309		45	230	177	25	18	44	25	125	60	57	22	M22	UC309	FL309	3.40
UCFL309-26	1-5/8		230	177	25	18	44	25	125	60	57	22	M22	UC309-26	FL309	3.40
UCFL309-27	1-11/16		230	177	25	18	44	25	125	60	57	22	M22	UC309-27	FL309	3.40
UCFL309-28	1-3/4		230	177	25	18	44	25	125	60	57	22	M22	UC309-28	FL309	3.40
UCFL310		50	240	187	28	19	48	25	140	67	61	22	M22	UC310	FL310	4.40
UCFL310-30	1-7/8		240	187	28	19	48	25	140	67	61	22	M22	UC310-30	FL310	4.40
UCFL310-31	1-15/16		240	187	28	19	48	25	140	67	61	22	M22	UC310-31	FL310	4.40
UCFL311		55	250	198	30	20	52	25	150	70	66	25	M22	UC311	FL311	5.10
UCFL311-32	2		250	198	30	20	52	25	150	70	66	25	M22	UC311-32	FL311	5.10
UCFL311-34	2-1/8		250	198	30	20	52	25	150	70	66	25	M22	UC311-34	FL311	5.10
UCFL311-35	2-3/16		250	198	30	20	52	25	150	70	66	25	M22	UC311-35	FL311	5.10
UCFL312		60	270	212	33	22	56	31	160	78	71	26	M27	UC312	FL312	6.10
UCFL312-36	2-1/4		270	212	33	22	56	31	160	78	71	26	M27	UC312-36	FL312	6.10
UCFL312-38	2-3/8		270	212	33	22	56	31	160	78	71	26	M27	UC312-38	FL312	6.10
UCFL312-39	2-7/16		270	212	33	22	56	31	160	78	71	26	M27	UC312-39	FL312	6.10
UCFL313		65	295	240	33	25	58	31	175	78	75	30	M27	UC313	FL313	7.80
UCFL313-40	2-1/2		295	240	33	25	58	31	175	78	75	30	M27	UC313-40	FL313	7.80
UCFL314		70	315	250	36	28	61	35	185	80	78	33	M30	UC314	FL314	9.00
UCFL314-44	2-3/4		315	250	36	28	61	35	185	80	78	33	M30	UC314-44	FL314	9.00
UCFL315		75	320	260	39	30	66	35	195	89	82	32	M30	UC315	FL315	10.00

ISO	Dimensions (mm)												Bolt Size	Bearing No.	Housing No.	Weight (kg)
	d (in)	d	a	e	i	g	l	s	b	z	B	n				
UCFL315-48	3		320	260	39	30	66	35	195	89	82	32	M30	UC315-48	FL315	10.00
UCFL316		80	355	285	38	32	68	38	210	90	86	34	M33	UC316	FL316	13.00
UCFL317		85	370	300	44	32	74	38	220	100	96	40	M33	UC317	FL317	15.00
UCFL317-48	3-1/4		370	300	44	32	74	38	220	100	96	40	M33	UC317-48	FL317	18.00
UCFL318		90	385	315	44	36	76	38	235	100	96	40	M33	UC318	FL318	18.00
UCFL318-56	3-1/2		385	315	44	36	76	38	235	100	96	40	M33	UC318-56	FL318	18.00
UCFL319		95	405	330	59	40	94	41	250	121	103	41	M36	UC319	FL319	22.00
UCFL319-60	3-3/4		405	330	59	40	94	41	250	121	103	41	M36	UC319-60	FL319	22.00



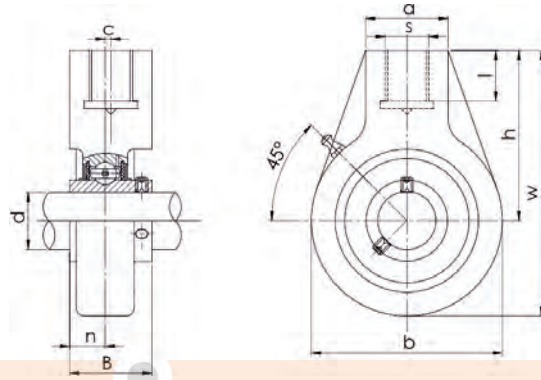
ISO	Dimensions (mm)																Bearing No.	Housing No.	Weight (kg)
	d (in)	d	o	g	p	q	s	b	k	e	a	w	j	l	h	B			
UCT201	12	16	10	51	32	19	51	12	76	89	94	32	21	61	31	12.7	UC201	T201	0.80
UCT201-8	3/4	16	10	51	32	19	51	12	76	89	94	32	21	61	31	12.7	UC201-8	T201	0.79
UCT202	15	16	10	51	32	19	51	12	76	89	94	32	21	61	31	12.7	UC202	T202	0.79
UCT202-9	9/16	16	10	51	32	19	51	12	76	89	94	32	21	61	31	12.7	UC202-9	T202	0.78
UCT202-10	5/8	16	10	51	32	19	51	12	76	89	94	32	21	61	31	12.7	UC202-10	T202	0.78
UCT203	17	16	10	51	32	19	51	12	76	89	94	32	21	61	31	12.7	UC203	T203	0.78
UCT203-11	11/16	16	10	51	32	19	51	12	76	89	94	32	21	61	31	12.7	UC203-11	T203	0.77
UCT204	20	16	10	51	32	19	51	12	76	89	94	32	21	61	31	12.7	UC204	T204	0.76
UCT204-12	3/4	16	10	51	32	19	51	12	76	89	94	32	21	61	31	12.7	UC204-12	T204	0.76
UCT205	25	16	10	51	32	19	51	12	76	89	97	32	24	62	34.1	14.3	UC205	T205	0.81
UCT205-13	13/16	16	10	51	32	19	51	12	76	89	97	32	24	62	34.1	14.3	UC205-13	T205	0.85
UCT205-14	7/8	16	10	51	32	19	51	12	76	89	97	32	24	62	34.1	14.3	UC205-14	T205	0.84
UCT205-15	15/16	16	10	51	32	19	51	12	76	89	97	32	24	62	34.1	14.3	UC205-15	T205	0.82
UCT205-16	1	16	10	51	32	19	51	12	76	89	97	32	24	62	34.1	14.3	UC205-16	T205	0.81
UCT206	30	16	10	56	37	22	57	12	89	102	113	37	28	70	38.1	15.9	UC206	T206	1.22
UCT206-17	1-1/16	16	10	56	37	22	57	12	89	102	113	37	28	70	38.1	15.9	UC206-17	T206	1.23
UCT206-18	1-1/8	16	10	56	37	22	57	12	89	102	113	37	28	70	38.1	15.9	UC206-18	T206	1.24
UCT206-19	1-3/16	16	10	56	37	22	57	12	89	102	113	37	28	70	38.1	15.9	UC206-19	T206	1.22
UCT206-20	1-1/4	16	10	56	37	22	57	12	89	102	113	37	28	70	38.1	15.9	UC206-20	T206	1.21
UCT207	35	16	13	64	37	22	64	12	89	102	129	37	30	78	42.9	17.5	UC207	T207	1.44
UCT207-20	1-1/4	16	13	64	37	22	64	12	89	102	129	37	30	78	42.9	17.5	UC207-20	T207	1.5
UCT207-21	1-5/16	16	13	64	37	22	64	12	89	102	129	37	30	78	42.9	17.5	UC207-21	T207	1.47
UCT207-22	1-3/8	16	13	64	37	22	64	12	89	102	129	37	30	78	42.9	17.5	UC207-22	T207	1.44
UCT207-23	1-7/16	16	13	64	37	22	64	12	89	102	129	37	30	78	42.9	17.5	UC207-23	T207	1.41
UCT208	40	19	16	83	49	29	83	16	102	114	144	49	33	89	49.2	19	UC208	T208	2.40
UCT208-24	1-1/2	19	16	83	49	29	83	16	102	114	144	49	33	89	49.2	19	UC208-24	T208	2.44
UCT208-25	1-9/16	19	16	83	49	29	83	16	102	114	144	49	33	89	49.2	19	UC208-25	T208	2.41
UCT209	45	19	16	83	49	29	83	16	102	117	144	49	35	87	49.2	19	UC209	T209	2.36
UCT209-26	1-5/8	19	16	83	49	29	83	16	102	117	144	49	35	87	49.2	19	UC209-26	T209	2.36

ISO	Dimensions (mm)																	Bearing No.	Housing No.	Weight (kg)
	d (in)	d	o	g	p	q	s	b	k	e	a	w	j	l	h	B	n			
UCT209-27	1-11/16		19	16	83	49	29	83	16	102	117	144	49	35	87	49.2	19	UC209-27	T209	2.32
UCT209-28	1-3/4		19	16	83	49	29	83	16	102	117	144	49	35	87	49.2	19	UC209-28	T209	2.28
UCT210		50	19	16	83	49	29	86	16	102	117	149	49	37	90	51.6	19	UC210	T210	2.43
UCT210-29	1-13/16		19	16	83	49	29	86	16	102	117	149	49	37	90	51.6	19	UC210-29	T210	2.55
UCT210-30	1-7/8		19	16	83	49	29	86	16	102	117	149	49	37	90	51.6	19	UC210-30	T210	2.50
UCT210-31	1-15/16		19	16	83	49	29	86	16	102	117	149	49	37	90	51.6	19	UC210-31	T210	2.45
UCT210-32	2		19	16	83	49	29	86	16	102	117	149	49	37	90	51.6	19	UC210-32	T210	2.41
UCT211		55	25	19	102	64	35	95	22	130	146	171	64	38	106	55.6	22.2	UC211	T211	4.11
UCT211-32	2		25	19	102	64	35	95	22	130	146	171	64	38	106	55.6	22.2	UC211-32	T211	4.26
UCT211-33	2-1/16		25	19	102	64	35	95	22	130	146	171	64	38	106	55.6	22.2	UC211-33	T211	4.20
UCT211-34	2-1/8		25	19	102	64	35	95	22	130	146	171	64	38	106	55.6	22.2	UC211-34	T211	4.15
UCT211-35	2-3/16		25	19	102	64	35	95	22	130	146	171	64	38	106	55.6	22.2	UC211-35	T211	4.09
UCT212		60	32	19	102	64	35	102	22	130	146	194	64	42	119	65.1	25.4	UC212	T212	4.97
UCT212-36	2-1/4		32	19	102	64	35	102	22	130	146	194	64	42	119	65.1	25.4	UC212-36	T212	5.1
UCT212-37	2-5/16		32	19	102	64	35	102	22	130	146	194	64	42	119	65.1	25.4	UC212-37	T212	5.02
UCT212-38	2-3/8		32	19	102	64	35	102	22	130	146	194	64	42	119	65.1	25.4	UC212-38	T212	4.95
UCT212-39	2-7/16		32	19	102	64	35	102	22	130	146	194	64	42	119	65.1	25.4	UC212-39	T212	4.88
UCT213		65	32	21	111	70	41	121	26	151	167	224	70	44	137	65.1	25.4	UC213	T213	6.65
UCT213-40	2-1/2		32	21	111	70	41	121	26	151	167	224	70	44	137	65.1	25.4	UC213-40	T213	6.74
UCT213-41	2-9/16		32	21	111	70	41	121	26	151	167	224	70	44	137	65.1	25.4	UC213-41	T213	6.65
UCT214		70	32	21	111	70	41	121	26	151	167	224	70	46	137	74.6	30.2	UC214	T214	7.05
UCT214-42	2-5/8		32	21	111	70	41	121	26	151	167	224	70	46	137	74.6	30.2	UC214-42	T214	7.26
UCT214-43	2-11/16		32	21	111	70	41	121	26	151	167	224	70	46	137	74.6	30.2	UC214-43	T214	7.16
UCT214-44	2-3/4		32	21	111	70	41	121	26	151	167	224	70	46	137	74.6	30.2	UC214-44	T214	7.06
UCT215		75	32	21	111	70	41	121	26	151	167	232	70	48	140	77.8	33.3	UC215	T215	7.41
UCT215-45	2-13/16		32	21	111	70	41	121	26	151	167	232	70	48	140	77.8	33.3	UC215-45	T215	7.66
UCT215-46	2-7/8		32	21	111	70	41	121	26	151	167	232	70	48	140	77.8	33.3	UC215-46	T215	7.55
UCT215-47	2-15/16		32	21	111	70	41	121	26	151	167	232	70	48	140	77.8	33.3	UC215-47	T215	7.44
UCT215-48	3		32	21	111	70	41	121	26	151	167	232	70	48	140	77.8	33.3	UC215-48	T215	7.32
UCT216		80	32	21	111	70	41	121	26	165	184	235	70	51	140	82.6	33.3	UC216	T216	8.30
UCT216-49	3-1/16		32	21	111	70	41	121	26	165	184	235	70	51	140	82.6	33.3	UC216-49	T216	8.48
UCT216-50	3-1/8		32	21	111	70	41	121	26	165	184	235	70	51	140	82.6	33.3	UC216-50	T216	8.35
UCT216-51	3-3/16		32	21	111	70	41	121	26	165	184	235	70	51	140	82.6	33.3	UC216-51	T216	8.30
UCT217		85	38	29	124	73	48	157	30	173	184	260	73	54	162	85.7	34.1	UC217	T217	11.00
UCT217-52	3-1/4		38	29	124	73	48	157	30	173	184	260	73	54	162	85.7	34.1	UC217-52	T217	11.22
UCT217-53	3-5/16		38	29	124	73	48	157	30	173	184	260	73	54	162	85.7	34.1	UC217-53	T217	11.08
UCT217-55	3-7/16		38	29	124	73	48	157	30	173	184	260	73	54	162	85.7	34.1	UC217-55	T217	10.79
UCT218		90	40	30	130	80	48	140	30	190	215	275	80	55	170	96	39.7	UC218	T218	12.20
UCT218-56	3-1/2		40	30	130	80	48	140	30	190	215	275	80	55	170	96	39.7	UC218-56	T218	12.31



ISO	Dimensions (mm)							Bearing No.	Housing No.	Weight (kg)
	d (in)	d	a	g	r	B	n			
UCC201		12	72	20	2	31	12.7	UC201	C201	0.52
UCC201-8	3/4		72	20	2	31	12.7	UC201-8	C201	0.51
UCC202		15	72	20	2	31	12.7	UC202	C202	0.51
UCC202-9	9/16		72	20	2	31	12.7	UC202-9	C202	0.50
UCC202-10	5/8		72	20	2	31	12.7	UC202-10	C202	0.50
UCC203		17	72	20	2	31	12.7	UC203	C203	0.50
UCC203-11	11/16		72	20	2	31	12.7	UC203-11	C203	0.49
UCC204		20	72	20	2	31	12.7	UC204	C204	0.48
UCC204-12	3/4		72	20	2	31	12.7	UC204-12	C204	0.48
UCC205		25	80	22	2	34.1	14.6	UC205	C205	0.63
UCC205-13	13/16		80	22	2	34.1	14.6	UC205-13	C205	0.67
UCC205-14	7/8		80	22	2	34.1	14.6	UC205-14	C205	0.66
UCC205-15	15/16		80	22	2	34.1	14.6	UC205-15	C205	0.64
UCC205-16	1		80	22	2	34.1	14.6	UC205-16	C205	0.63
UCC206		30	85	27	2	38.1	15.9	UC206	C206	0.80
UCC206-17	1-1/16		85	27	2	38.1	15.9	UC206-17	C206	0.81
UCC206-18	1-1/8		85	27	2	38.1	15.9	UC206-18	C206	0.82
UCC206-19	1-3/16		85	27	2	38.1	15.9	UC206-19	C206	0.80
UCC206-20	1-1/4		85	27	2	38.1	15.9	UC206-20	C206	0.79
UCC207		35	90	28	2	42.9	17.5	UC207	C207	0.93
UCC207-20	1-1/4		90	28	2	42.9	17.5	UC207-20	C207	0.99
UCC207-21	1-5/16		90	28	2	42.9	17.5	UC207-21	C207	0.96
UCC207-22	1-3/8		90	28	2	42.9	17.5	UC207-22	C207	0.93
UCC207-23	1-7/16		90	28	2	42.9	17.5	UC207-23	C207	0.90
UCC208		40	100	30	2.5	49.2	19	UC208	C208	1.22
UCC208-24	1-1/2		100	30	2.5	49.2	19	UC208-24	C208	1.26
UCC208-25	1-9/16		100	30	2.5	49.2	19	UC208-25	C208	1.23
UCC209		45	110	31	2.5	49.2	19	UC209	C209	1.49
UCC209-26	1-5/8		110	31	2.5	49.2	19	UC209-26	C209	1.59
UCC209-27	1-11/16		110	31	2.5	49.2	19	UC209-27	C209	1.55
UCC209-28	1-3/4		110	31	2.5	49.2	19	UC209-28	C209	1.51
UCC210		50	120	33	2.5	51.6	19	UC210	C210	1.90
UCC210-29	1-13/16		120	33	2.5	51.6	19	UC210-29	C210	2.02
UCC210-30	1-7/8		120	33	2.5	51.6	19	UC210-30	C210	1.97
UCC210-31	1-15/16		120	33	2.5	51.6	19	UC210-31	C210	1.92
UCC210-32	2		120	33	2.5	51.6	19	UC210-32	C210	1.88
UCC211		55	125	35	2.5	55.6	22.2	UC211	C211	2.18
UCC211-32	2		125	35	2.5	55.6	22.2	UC211-32	C211	2.33
UCC211-33	2-1/16		125	35	2.5	55.6	22.2	UC211-33	C211	2.27
UCC211-34	2-1/8		125	35	2.5	55.6	22.2	UC211-34	C211	2.22
UCC211-35	2-3/16		125	35	2.5	55.6	22.2	UC211-35	C211	2.16
UCC212		60	130	38	2.5	65.1	25.4	UC212	C212	2.52
UCC212-36	2-1/4		130	38	2.5	65.1	25.4	UC212-36	C212	2.65

ISO	Dimensions (mm)							Bearing No.	Housing No.	Weight (kg)
	d (in)	d	a	g	r	B	n			
UCC212-37	2-5/16		130	38	2.5	65.1	25.4	UC212-37	C212	2.57
UCC212-38	2-3/8		130	38	2.5	65.1	25.4	UC212-38	C212	2.50
UCC212-39	2-7/16		130	38	2.5	65.1	25.4	UC212-39	C212	2.43
UCC213		65	140	40	3	65.1	25.4	UC213	C213	2.98
UCC213-40	2-1/2		140	40	3	65.1	25.4	UC213-40	C213	3.07
UCC213-41	2-9/16		140	40	3	65.1	25.4	UC213-41	C213	2.98



ISO	Dimensions (mm)											Bearing No.	Housing No.	Weight (kg)
	d (in)	d	h	w	b	c	a	s	l	B	n			
UCHA201		12	64	96	64	0	40	G3/4	19	31	12.7	UC201	HA201	0.73
UCHA201-8	3/4		64	96	64	0	40	G3/4	19	31	12.7	UC201-8	HA201	0.72
UCHA202		15	64	96	64	0	40	G3/4	19	31	12.7	UC202	HA202	0.72
UCHA202-9	9/16		64	96	64	0	40	G3/4	19	31	12.7	UC202-9	HA202	0.71
UCHA202-10	5/8		64	96	64	0	40	G3/4	19	31	12.7	UC202-10	HA202	0.71
UCHA203		17	64	96	64	0	40	G3/4	19	31	12.7	UC203	HA203	0.71
UCHA203-11	11/16		64	96	64	0	40	G3/4	19	31	12.7	UC203-11	HA203	0.70
UCHA204		20	64	96	64	0	40	G3/4	19	31	12.7	UC204	HA204	0.69
UCHA204-12	3/4		64	96	64	0	40	G3/4	19	31	12.7	UC204-12	HA204	0.69
UCHA205		25	64	103	78	0	40	G3/4	19	34.1	14.3	UC205	HA205	0.83
UCHA205-13	13/16		64	103	78	0	40	G3/4	19	34.1	14.3	UC205-13	HA205	0.87
UCHA205-14	7/8		64	103	78	0	40	G3/4	19	34.1	14.3	UC205-14	HA205	0.86
UCHA205-15	15/16		64	103	78	0	40	G3/4	19	34.1	14.3	UC205-15	HA205	0.84
UCHA205-16	1		64	103	78	0	40	G3/4	19	34.1	14.3	UC205-16	HA205	0.83
UCHA206		30	64	103	78	0	40	G3/4	19	38.1	15.9	UC206	HA206	0.90
UCHA206-17	1-1/16		64	103	78	0	40	G3/4	19	38.1	15.9	UC206-17	HA206	0.91
UCHA206-18	1-1/8		64	103	78	0	40	G3/4	19	38.1	15.9	UC206-18	HA206	0.92
UCHA206-19	1-3/16		64	103	78	0	40	G3/4	19	38.1	15.9	UC206-19	HA206	0.90
UCHA206-20	1-1/4		64	103	78	0	40	G3/4	19	38.1	15.9	UC206-20	HA206	0.89
UCHA207		35	70	116	92	0	40	G3/4	19	42.9	17.5	UC207	HA207	1.16
UCHA207-20	1-1/4		70	116	92	0	40	G3/4	19	42.9	17.5	UC207-20	HA207	1.22
UCHA207-21	1-5/16		70	116	92	0	40	G3/4	19	42.9	17.5	UC207-21	HA207	1.19
UCHA207-22	1-3/8		70	116	92	0	40	G3/4	19	42.9	17.5	UC207-22	HA207	1.16
UCHA207-23	1-7/16		70	116	92	0	40	G3/4	19	42.9	17.5	UC207-23	HA207	1.13
UCHA208		40	73	121	96	2	40	G3/4	19	49.2	19	UC208	HA208	1.32
UCHA208-24	1-1/2		73	121	96	2	40	G3/4	19	49.2	19	UC208-24	HA208	1.36
UCHA208-25	1-9/16		73	121	96	2	40	G3/4	19	49.2	19	UC208-25	HA208	1.33
UCHA209		45	82	136	108	5	48	G1	21	49.2	19	UC209	HA209	1.92
UCHA209-26	1-5/8		82	136	108	5	48	G1	21	49.2	19	UC209-26	HA209	2.02
UCHA209-27	1-11/16		82	136	108	5	48	G1	21	49.2	19	UC209-27	HA209	1.98
UCHA209-28	1-3/4		82	136	108	5	48	G1	21	49.2	19	UC209-28	HA209	1.94

ISO	Dimensions (mm)											Bearing No.	Housing No.	Weight (kg)
	d (in)	d	h	w	b	c	a	s	l	B	n			
UCHA210		50	83	142	118	5	48	G1	21	51.6	19	UC210	HA210	1.90
UCHA210-29	1-13/16		83	142	118	5	48	G1	21	51.6	19	UC210-29	HA210	2.02
UCHA210-30	1-7/8		83	142	118	5	48	G1	21	51.6	19	UC210-30	HA210	1.97
UCHA210-31	1-15/16		83	142	118	5	48	G1	21	51.6	19	UC210-31	HA210	1.92
UCHA210-32	2		83	142	118	5	48	G1	21	51.6	19	UC210-32	HA210	1.88
UCHA211		55	87	150	126	7	60	G1-1/4	25	55.6	22.2	UC211	HA211	2.61
UCHA211-32	2		87	150	126	7	60	G1-1/4	25	55.6	22.2	UC211-32	HA211	2.76
UCHA211-33	2-1/16		87	150	126	7	60	G1-1/4	25	55.6	22.2	UC211-33	HA211	2.70
UCHA211-34	2-1/8		87	150	126	7	60	G1-1/4	25	55.6	22.2	UC211-34	HA211	2.65
UCHA211-35	2-3/16		87	150	126	7	60	G1-1/4	25	55.6	22.2	UC211-35	HA211	2.59
UCHA212		60	102	173	142	9	60	G1-1/4	28	65.1	25.4	UC212	HA212	3.54
UCHA212-36	2-1/4		102	173	142	9	60	G1-1/4	28	65.1	25.4	UC212-36	HA212	3.67
UCHA212-37	2-5/16		102	173	142	9	60	G1-1/4	28	65.1	25.4	UC212-37	HA212	3.59
UCHA212-38	2-3/8		102	173	142	9	60	G1-1/4	28	65.1	25.4	UC212-38	HA212	3.52
UCHA212-39	2-7/16		102	173	142	9	60	G1-1/4	28	65.1	25.4	UC212-39	HA212	3.45
UCHA213		65	117	200	166	9.5	70	G1-1/4	32	65.1	25.4	UC213	HA213	5.80
UCHA213-40	2-1/2		117	200	166	9.5	70	G1-1/4	32	65.1	25.4	UC213-40	HA213	5.89
UCHA213-41	2-9/16		117	200	166	9.5	70	G1-1/4	32	65.1	25.4	UC213-41	HA213	5.8

KEILRIEMEN.AT



Subject	Symbol	Description
Series	SUCPPL	<ul style="list-style-type: none"> • Thermoplastic pillow block housing bolt 2 holes • Solid base housing • Stainless steel inserts • Food grade grease and silicon rubber seal • Setscrew locking
	SUCFLPL	<ul style="list-style-type: none"> • Thermoplastic 2 Bolt flange housing • Solid base housing • Stainless steel inserts • Food grade grease and silicon rubber seal • Setscrew locking
	SUCFPL	<ul style="list-style-type: none"> • Thermoplastic 4 Bolt flange housing • Solid base housing • Stainless steel inserts • Food grade grease and silicon rubber seal • Setscrew locking
	SUCFCPL	<ul style="list-style-type: none"> • Thermoplastic 4 Bolt flange housing • Solid base housing • Stainless steel inserts • Food grade grease and silicon rubber seal • Setscrew locking
	SUCPAPL	<ul style="list-style-type: none"> • Thermoplastic short base pillow block housing with 2 threaded bolt holes in the base for fixing • Tapped base • Stainless steel inserts • Food grade grease and silicon rubber seal • Setscrew locking
	SUCFBPL	<ul style="list-style-type: none"> • Thermoplastic 3 Bolt flange bracket housing • Solid base housing • Stainless steel inserts • Food grade grease and silicon rubber seal • Setscrew locking

THERMOPLASTIC HOUSING UNITS

Series: OC CC.. BS.. SUCPPL.. SUCFPL.. SUCFLPL.. SUCFCPL.. SUCPAPL..
SUCFBPL.. SUC.. SSB..

Subject	Symbol	Description
Accessories	OC/CC	Plastic covers open/close type
	BS	Back seals
	SUC, SSB	Stainless steel insert bearing

Features

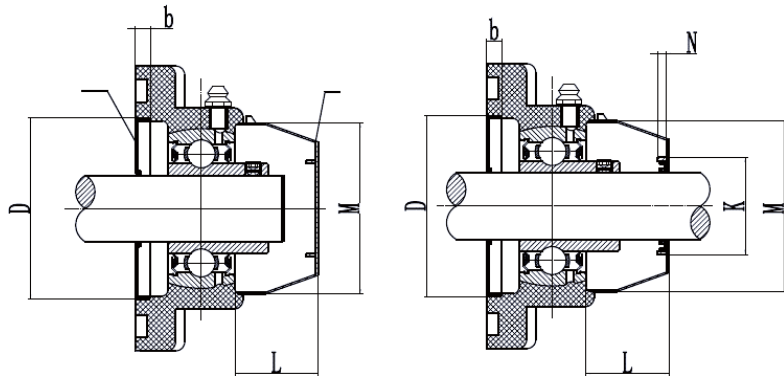
CRAFT bearings thermoplastic housing units are specially designed to meet particular engineering demand for food, beverage, photo and chemical industries. The maintenance and corrosion resistance characteristics as well as a low weight element has proven to stand up the hard working conditions for all needed applications.

Housings

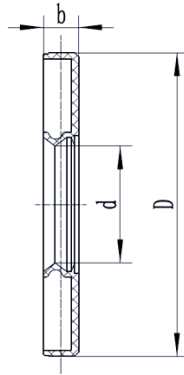
CRAFT bearings thermoplastic housing units are made of glass fiber-reinforced plastic and can be delivered with AISI420 or AISI440 stainless steel bearing inserts for maximum corrosion resistance. CRAFT bearings thermoplastic housing units are designed to meet important engineering demands for frequent washdowns, corrosion resistance, exposure to harsh chemicals and to high humidity, regreasable fittings and operating temperature -35C to 102C.

Applications

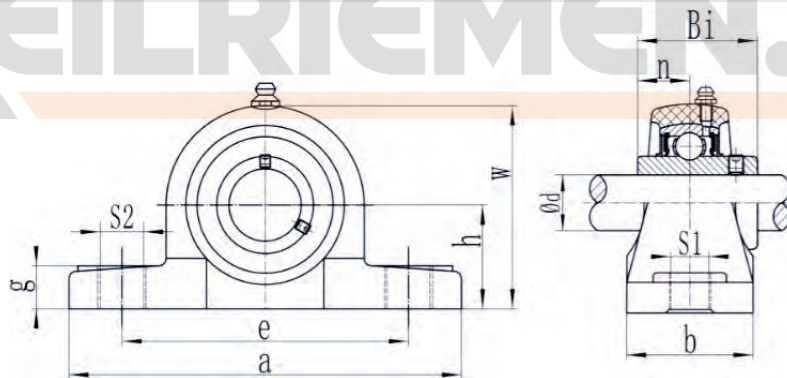
Due to corrosion-resistant and non-magnetic properties CRAFT bearings thermoplastic housing units are used in a wide variety of industries for e.g. food processing, canning, bottling, pharmacy industry, chemical processing, photography industry and etc.



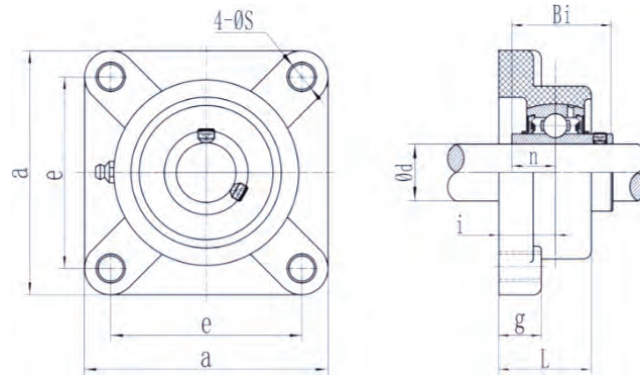
CRAFT	Dimensions (mm)									
	d	D	b	M	N	K	L			
CC-201/OC-201	12	52	6.00	50	7.00	32	23			
CC-202/OC-202	15	52	6.00	50	7.00	32	23			
CC-203/OC-203	17	52	6.00	50	7.00	32	23			
CC-204/OC-204	20	52	6.00	50	7.00	32	23			
CC-205/OC-205	25	62	6.00	55	7.00	37	25			
CC-206/OC-206	30	72	6.00	64	7.00	42	30			
CC-207/OC-207	35	82	6.00	74.5	7.00	47	32			
CC-208/OC-208	40	88	6.00	84	7.00	52	37			
CC-209/OC-209	45	93	6.00	89	7.00	57	41			
CC-210/OC-210	50	98	6.00	94	7.00	62	47			
CC-211/OC-211	55	108	6.00	104	7.00	65	56			
CC-212/OC-212	60	118	6.00	114	7.00	70	60			



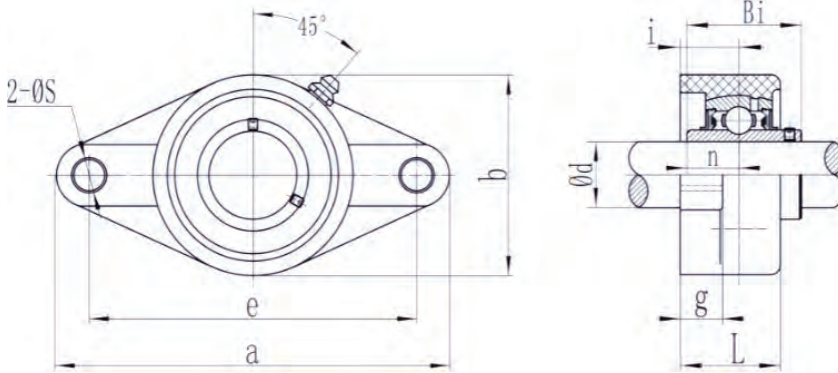
CRAFT	Dimensions (mm)		
	d	D	b
BS-204	20	52	6
BS-205	25	62	6
BS-206	30	72	6
BS-207	35	82	6
BS-208	40	88	6
BS-209	45	93	6
BS-210	50	98	6
BS-211	55	108	6
BS-212	60	118	6



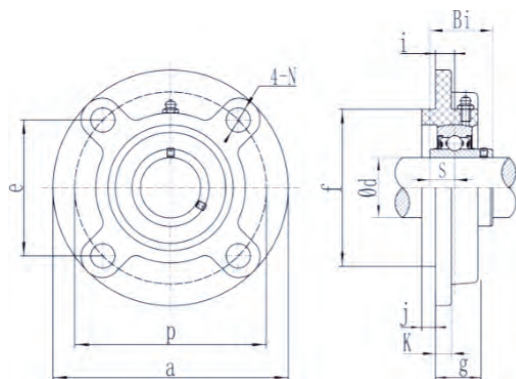
CRAFT	Dimensions (mm)												Bolt size	Weight (kg)
	d (in)	d	h	a	e	b	S1	S2	g	w	Bi	n		
SUCPPL-201	1/2	12	33.3	127	95	38	11	14	14.2	65.5	31	12.7	M10	0.12
SUCPPL-202	9/16 5/8	15	33.3	127	95	38	11	14	14.2	65.5	31	12.7	M10	0.12
SUCPPL-203	11/16	17	33.3	127	95	38	11	14	14.2	65.5	31	12.7	M10	0.12
SUCPPL-204	3/4	20	33.3	127	95	38	11	14	14.2	65.5	31	12.7	M10	0.12
SUCPPL-205	13/16 7/8 15/16 1	25	36.5	140.5	105	38	11	14	14.5	71.5	34.1	14.3	M10	0.14
SUCPPL-206	1-1/16 1-1/8 1-3/16 1-1/4	30	42.9	163.5	119	46	14	18	17.8	83.5	38.1	15.9	M12	0.2
SUCPPL-207	1-1/4 1-5/16 1-3/8 1-7/16	35	47.6	168	127	48	14	18	18	94.5	42.9	17.5	M12	0.25
SUCPPL-208	1-1/2 1-9/16	40	49.2	184	137	54	14	18	20	99	49.2	19	M12	0.35
SUCPPL-209	1-5/8 1-11/16 1-3/4	45	54	192	146	54	17	20	23	106	49.2	19	M16	0.45
SUCPPL-210	1-13/16 1-7/8 1-15/16 2	50	57.2	206	159	60	17	20	23	114	51.6	19	M16	0.55
SUCPPL-211	2 2-1/16 2-1/8 2-3/16	55	63.5	220	171	60	17	20	23	126	55.6	22.2	M16	0.65
SUCPPL-212	2-1/4 2-5/16 2-3/8 2-7/16	60	69.8	241	184	70	17	20	25	138	65.1	25.4	M16	0.75



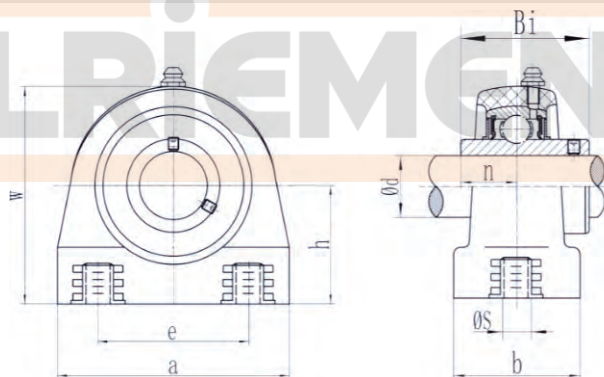
CRAFT	Dimension (mm)										Bolt size	Weight (kg)
	d (in)	d	a	e	g	L	S	i	Bi	n		
SUCFPL-201	1/2	12	86	63.5	13.4	27.8	11	18	31	12.7	M10	0.12
SUCFPL-202	9/16	15	86	63.5	13.4	27.8	11	18	31	12.7	M10	0.12
SUCFPL-203	11/16	17	86	63.5	13.4	27.8	11	18	31	12.7	M10	0.12
SUCFPL-204	3/4	20	86	63.5	13.4	27.8	11	18	31	12.7	M10	0.12
SUCFPL-205	13/16	25	95	70	14.5	28	11	17	34.1	14.3	M10	0.15
SUCFPL-206	1-1/16	30	107	83	14.5	31.5	11	19.2	38.1	15.9	M10	0.18
SUCFPL-207	1-1/4	35	117	92	16	34.8	13	21.5	42.9	17.5	M12	0.26
SUCFPL-208	1-1/2	40	129	102	17	36.5	14	23	49.2	19	M12	0.33
SUCFPL-209	1-5/8	45	137	105	19	41	17	24	49.2	19	M16	0.42
SUCFPL-210	1-13/16	50	143	111	20	42	17	25	51.6	19	M16	0.51
SUCFPL-211	2	55	162	130	19.5	43	19	25	55.6	22.2	M18	0.61
SUCFPL-212	2-1/4	60	175	143	19	48	19	29	65.1	25.4	M18	0.72



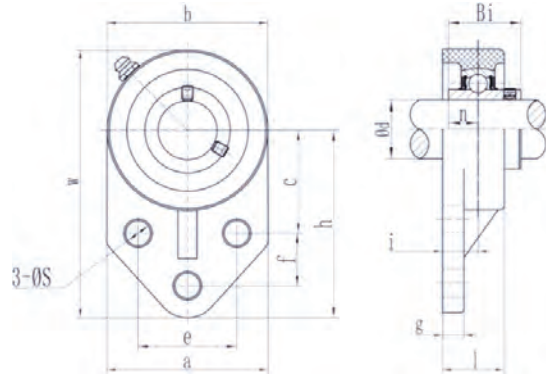
CRAFT	Dimension (mm)											Bolt size	Weight (kg)
	d (in)	d	a	e	b	g	l	s	i	Bi	n		
SUCFLPL 201	1/2	12	113	90	64	11.4	26.5	11	15.4	31	12.7	M10	0.08
SUCFLPL 202	9/16 5/5	15	113	90	64	11.4	26.5	11	15.4	31	12.7	M10	0.08
SUCFLPL 203	11/16	17	113	90	64	11.4	26.5	11	15.4	31	12.7	M10	0.08
SUCFLPL 204	3/4	20	113	90	64	11.4	26.5	11	15.4	31	12.7	M10	0.08
SUCFLPL 205	13/16 7/8 15/16 1	25	131	99	69.5	14	29.5	11	17	34.1	14.3	M10	0.10
SUCFLPL 206	1-1/16 1-1/8 1-3/16 1-1/4	30	148	117	80	14	30.5	11	19	38.1	15.9	M10	0.13
SUCFLPL 207	1-1/4 1-5/16 1-3/8 1-7/16	35	164	130	90	16	32.8	13	18	42.9	17.5	M12	0.16
SUCFLPL 208	1-1/2 1-9/16	40	175	144	99	20	37.5	14	21.5	49.2	19	M12	0.24
SUCFLPL 209	1-5/8 1-11/16 1-3/4	45	188	148	108	21	41	17	24	49.2	19	M16	0.32
SUCFLPL 210	1-13/16 1-7/7 1-15/16 2	50	197	157	115	21	42	17	25	51.6	19	M16	0.42
SUCFLPL 211	2 2-1/16 2-1/8 2-3/16	55	224	184	128	18.5	43	19	25	55.6	22.2	M18	0.55
SUCFLPL 212	2-1/4 2-5/16 2-3/8 2-7/16	60	250	202	139	24	48	19	29	65.1	25.4	M18	0.7



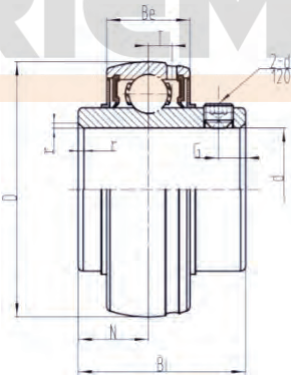
CRAFT	Dimension (mm)												Bolt size	Weight (kg)
	d	a	p	e	i	f	N	g	j	k	Bi	S		
SUCFCPL-204	20	100	78	55.1	10	62	11	20.5	5	7	31	12.7	M10	0.13
SUCFCPL-205	25	115	90	63.6	10	70	11	21	6	7	34.1	14.3	M10	0.17
SUCFCPL-206	30	125	100	70.7	10	80	11	23	8	8	38.1	15.9	M10	0.19
SUCFCPL-207	35	135	110	77.8	11	90	13	26	8	9	42.9	17.5	M12	0.23
SUCFCPL-208	40	145	120	84.8	11	100	13	26	10	9	49.2	19	M12	0.28



CRAFT	Dimension (mm)										Bolt size	Weight (kg)
	d (in)	d	h	b	w	e	a	Bi	n			
SUCPAPL-201	1/2	12	33.3	35	66.5	50.8	74	31	12.7	M8	0.13	
SUCPAPL-202	9/16 5/5	15	33.3	35	66.5	50.8	74	31	12.7	M8	0.13	
SUCPAPL-203	11/16	17	33.3	35	66.5	50.8	74	31	12.7	M8	0.13	
SUCPAPL-204	3/4	20	33.3	35	66.5	50.8	74	31	12.7	M8	0.13	
SUCPAPL-205	13/16 7/8 15/16 1	25	36.5	39.5	74	50.8	76.5	34.1	14.3	M10	0.15	
SUCPAPL-206	1-1/16 1-1/8 1-3/16 1-1/4	30	42.9	42.5	84.5	76.2	102	38.1	15.9	M10	0.24	
SUCPAPL-207	1-1/4 1-5/16 1-3/8 1-7/16	35	47.6	47.5	95	82.6	109.5	42.9	17.5	M10	0.28	
SUCPAPL-208	1-1/2 1-9/16	40	49.2	48	100.5	88.9	121	49.2	19	M12	0.39	
SUCPAPL-209	1-5/8 1-11/16 1-3/4	45	54	50	107	95.3	124	49.2	19	M12	0.47	
SUCPAPL-210	1-13/16 1-7/7 1-15/16 2	50	57.2	54	115	101.6	135	51.6	19	M16	0.56	
SUCPAPL-211	2 2-1/16 2-1/8 2-3/16	55	63.5	66	125	104	140	55.6	22.2	M20	0.71	
SUCPAPL-212	2-1/4 2-5/16 2-3/8 2-7/16	60	69.9	68	138	114	150	65.1	25.4	M20	0.8	

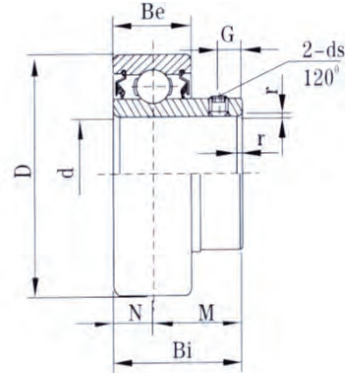
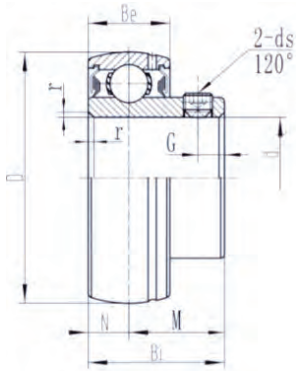


CRAFT	Dimension (mm)															Bolt size	Weight (kg)
	d (in)	d	a	e	h	w	s	f	c	b	l	g	i	n	Bi		
SUCFBPL-201	1/2	12	62	38.1	76.5	108.5	11	22.2	42.9	62	26.5	12	15.4	12.7	31	M10	0.1
SUCFBPL-202	9/16	15	62	38.1	76.5	108.5	11	22.2	42.9	62	26.5	12	15.4	12.7	31	M10	0.1
SUCFBPL-203	11/16	17	62	38.1	76.5	108.5	11	22.2	42.9	62	26.5	12	15.4	12.7	31	M10	0.1
SUCFBPL-204	3/4	20	62	38.1	76.5	108.5	11	22.2	42.9	62	26.5	12	15.4	12.7	31	M10	0.1
SUCFBPL-205	13/16	25	63.5	41.3	85.7	120.6	11	28.6	46	69	33.5	12	21	14.3	34.1	M10	0.12
SUCFBPL-206	1-1/16	30	75	47.6	98.5	140	11	31.8	52.4	83	31.5	14	19	15.9	38.1	M10	0.16
SUCFBPL-207	1-1/4	35	89	50.8	110	158	13	31.8	60.3	94	36.5	17	21.4	17.5	42.9	M12	0.18
SUCFBPL-208	1-1/2	40	78	50	114	164	13	41.3	60.3	100	35.7	18	21.4	19	49.2	M12	0.23



CRAFT	Dimension (mm)											Basic Load Rating (N)		Weight (kg)
	d (in)	d	D	Bi	Be	r	N	M	G	ds	T	Dyn. C	Stat. C ₀	
SUC201S		12	40	26	15	1	10	16	4	M5X0.8	3.5	7.65	3.6	0.12
SUC201-8S	1/2		40	26	15	1	10	16	4	10-32	3.5	7.65	3.6	0.12
SUC202S		15	40	26	15	1	10	16	4	M5X0.8	3.5	7.65	3.6	0.11
SUC202-10S	5/8		40	26	15	1	10	16	4	10-32	3.5	7.65	3.6	0.11
SUC203S		17	40	26	15	1	10	16	4	M5X0.8	3.5	7.65	3.6	0.1
SUC203-11S	11/16		40	26	15	1	10	16	4	10-32	3.5	7.65	3.6	0.1
SUC201		12	47	31	17	1	12.7	18.3	4.7	M6*0.75	4.00	10.37	5.08	0.21
SUC201-8	1/2		47	31	17	1	12.7	18.3	4.7	1/4-28	4.00	10.37	5.08	0.2
SUC202		15	47	31	17	1	12.7	18.3	4.7	M6*0.75	4.00	10.37	5.08	0.19
SUC202-10	5/8		47	31	17	1	12.7	18.3	4.7	1/4-28	4.00	10.37	5.08	0.19
SUC203		17	47	31	17	1	12.7	18.3	4.7	M6*0.75	4.00	10.37	5.08	0.18
SUC203-11	11/16		47	31	17	1	12.7	18.3	4.7	1/4-28	4.00	10.37	5.08	0.18

CRAFT	Dimension (mm)											Basic Load Rating (N)		Weight (kg)
	d (in)	d	D	Bi	Be	r	N	M	G	ds	T	Dyn. C	Stat. C ₀	
SUC204		20	47	31	17	1	12.7	18.3	4.7	M6*0.75	4.00	10.37	5.08	0.16
SUC204-12	3/4		47	31	17	1	12.7	18.3	4.7	1/4-28	4.00	10.37	5.08	0.16
SUC205		25	52	34.1	17	1.5	14.3	19.8	5	M6X0.75	4.20	11.31	6.00	0.19
SUC205-14	7/8		52	34.1	17	1.5	14.3	19.8	5	1/4-28	4.20	11.31	6.00	0.22
SUC205-15	15/16		52	34.1	17	1.5	14.3	19.8	5	1/4-28	4.20	11.31	6.00	0.20
SUC205-16	1		52	34.1	17	1.5	14.3	19.8	5	1/4-28	4.20	11.31	6.00	0.19
SUC206		30	62	38.1	19	1.5	15.9	22.2	5	M6X0.75	5.00	15.81	8.64	0.31
SUC206-17	1-1/16		62	38.1	19	1.5	15.9	22.2	5	1/4-28	5.00	15.81	8.64	0.36
SUC206-18	1-1/8		62	38.1	19	1.5	15.9	22.2	5	1/4-28	5.00	15.81	8.64	0.34
SUC206-19	1-3/16		62	38.1	19	1.5	15.9	22.2	5	1/4-28	5.00	15.81	8.64	0.32
SUC206-20	1-1/4		62	38.1	19	1.5	15.9	22.2	5	1/4-28	5.00	15.81	8.64	0.31
SUC207		35	72	42.9	20	2.00	17.5	25.4	7	M8X1	5.7	20.83	11.68	0.46
SUC207-20	1-1/4		72	42.9	20	2.00	17.5	25.4	7	5/16-24	5.7	20.83	11.68	0.52
SUC207-21	1-5/16		72	42.9	20	2.00	17.5	25.4	7	5/16-24	5.7	20.83	11.68	0.5
SUC207-22	1-3/8		72	42.9	20	2.00	17.5	25.4	7	5/16-24	5.7	20.83	11.68	0.48
SUC207-23	1-7/16		72	42.9	20	2.00	17.5	25.4	7	5/16-24	5.7	20.83	11.68	0.46
SUC208		40	80	49.2	21	2.00	19.00	30.2	8	M8X1	6.3	23.55	13.6	0.63
SUC208-24	1-1/2		80	49.2	21	2.00	19.00	30.2	8	5/16-24	6.3	23.55	13.6	0.68
SUC208-25	1-9/16		80	49.2	21	2.00	19.00	30.2	8	5/16-24	6.3	23.55	13.6	0.64
SUC209		45	85	49.2	22	2.00	19.00	30.2	8	M8X1	6.3	26.35	15.60	0.70
SUC209-26	1-5/8		85	49.2	22	2.00	19.00	30.2	8	5/16-24	6.3	26.35	15.60	0.78
SUC209-27	1-11/16		85	49.2	22	2.00	19.00	30.2	8	5/16-24	6.3	26.35	15.60	0.74
SUC209-28	1-3/4		85	49.2	22	2.00	19.00	30.2	8	5/16-24	6.3	26.35	15.60	0.70
SUC210		50	90	51.6	24	2.00	19.00	32.6	10	M10X1.25	6.6	28.48	18	0.78
SUC210-29	1-13/16		90	51.6	24	2.00	19.00	32.6	10	3/8-24	6.6	28.48	18	0.89
SUC210-30	1-7/8		90	51.6	24	2.00	19.00	32.6	10	3/8-24	6.6	28.48	18	0.85
SUC210-31	1-15/16		90	51.6	24	2.00	19.00	32.6	10	3/8-24	6.6	28.48	18	0.8
SUC210-32	2		90	51.6	24	2.00	19.00	32.6	10	3/8-24	6.6	28.48	18	0.78
SUC211		55	100	55.6	25	2.5	22.2	33.4	10	M10X1.25	7	35.28	22.4	1.07
SUC211-32	2		100	55.6	25	2.5	22.2	33.4	10	3/8-24	7	35.28	22.4	1.22
SUC211-33	2-1/16		100	55.6	25	2.5	22.2	33.4	10	3/8-24	7	35.28	22.4	1.18
SUC211-34	2-1/8		100	55.6	25	2.5	22.2	33.4	10	3/8-24	7	35.28	22.4	1.1
SUC211-35	2-3/16		100	55.6	25	2.5	22.2	33.4	10	3/8-24	7	35.28	22.4	1.05
SUC212		60	110	65.1	27	2.5	25.4	39.7	10	M10X1.25	7	42.5	26.34	1.52
SUC212-36	2-1/4		110	65.1	27	2.5	25.4	39.7	10	3/8-24	7	42.5	26.34	1.65
SUC212-37	2-5/16		110	65.1	27	2.5	25.4	39.7	10	3/8-24	7	42.5	26.34	1.55
SUC212-38	2-3/8		110	65.1	27	2.5	25.4	39.7	10	3/8-24	7	42.5	26.34	1.49
SUC212-39	2-7/16		110	65.1	27	2.5	25.4	39.7	10	3/8-24	7	42.5	26.34	1.42
SUC213		65	120	65.1	30	2.5	25.4	39.7	10	M10X1.25	8.5	46.5	30.4	1.80
SUC213-40	2-1/2		120	65.1	30	2.5	25.4	39.7	10	3/8-24	8.5	46.5	30.4	1.88
SUC213-41	2-9/16		120	65.1	30	2.5	25.4	39.7	10	3/8-24	8.5	46.5	30.4	1.80
SUC214		70	125	74.6	30	2.5	30.2	44.4	12	M12X1.5	8.9	50.15	33.6	2.06
SUC214-42	2-5/8		125	74.6	30	2.5	30.2	44.4	12	7/16-20	8.9	50.15	33.6	2.10
SUC214-43	2-11/16		125	74.6	30	2.5	30.2	44.4	12	7/16-20	8.9	50.15	33.6	2.08
SUC214-44	2-3/4		125	74.6	30	2.5	30.2	44.4	12	7/16-20	8.9	50.15	33.6	2.07
SUC215		75	130	77.8	32	2.5	33.3	44.5	12	M12X1.5	9.2	53.55	37.6	2.19
SUC215-45	2-13/16		130	77.8	32	2.5	33.3	44.5	12	7/16-20	9.2	53.55	37.6	2.41
SUC215-46	2-7/8		130	77.8	32	2.5	33.3	44.5	12	7/16-20	9.2	53.55	37.6	2.31
SUC215-47	2-15/16		130	77.8	32	2.5	33.3	44.5	12	7/16-20	9.2	53.55	37.6	2.21
SUC215-48	3		130	77.8	32	2.5	33.3	44.5	12	7/16-20	9.2	53.55	37.6	2.11
SUC216		80	140	82.6	33	3	33.3	49.3	14	M12X1.5	9.6	58.65	40.8	2.82
SUC216-50	3-1/8		140	82.6	33	3	33.3	49.3	14	7/16-20	9.6	58.65	40.8	2.90
SUC217		85	150	85.7	35	3	34.1	51.6	14	M12X1.5	10.5	68	48.8	3.46
SUC217-52	3-1/4		150	85.7	35	3	34.1	51.6	14	7/16-20	10.5	68	48.8	3.56
SUC218		90	160	96	37	3	39.7	56.3	15	M12X1.5	11	77.52	54.56	4.53
SUC218-56	3-1/2		160	96	37	3	39.7	56.3	15	7/16-20	11	77.52	54.56	4.62



CRAFT	Dimension (mm)										Basic Load Rating (N)		Weight (kg)
	d (in)	d	D	Bi	Be	r	N	M	G	ds	Dyn. C	Stat. C ₀	
SSB201		12	40	22	12	1	6	16	4.5	M5X0,8	7.82	3.58	0.10
SSB201-8	1/2		40	22	12	1	6	16	4.5	10-32	7.82	3.58	0.10
SSB202		15	40	22	12	1	6	16	4.5	M5*0.8	7.82	3.58	0.09
SSB202-10	5/8		40	22	12	1	6	16	4.5	10-32	7.82	3.58	0.09
SSB203		17	40	22	12	1	6	16	4.5	M5*0.8	7.82	3.58	0.08
SSB203-11	11/16		40	22	12	1	6	16	4.5	10-32	7.82	3.58	0.08
SSB204	3/4	20	47	25	14	1	7	18	5	M6X0,75	10.37	5.04	0.12
SSB204-12			47	25	14	1	7	18	5	1/4-28	10.37	5.04	0.13
SSB205		25	52	27	15	1.2	7.5	19.5	5.5	M6X0,75	11.31	5.97	0.17
SSB205-14	7/8		52	27	15	1.2	7.5	19.5	5.5	1/4-28	11.31	5.97	0.18
SSB205-15	15/16		52	27	15	1.2	7.5	19.5	5.5	1/4-28	11.31	5.97	0.17
SSB205-16	1		52	27	15	1.2	7.5	19.5	5.5	1/4-28	11.31	5.97	0.16
SSB206		30	62	30	16	1.2	8	22	6	M6X0,75	15.73	8.64	0.25
SSB206-17	1-1/16		62	30	16	1.2	8	22	6	1/4-28	15.73	8.64	0.28
SSB206-18	1-1/8		62	30	16	1.2	8	22	6	1/4-28	15.73	8.64	0.26
SSB206-19	1-3/16		62	30	16	1.2	8	22	6	1/4-28	15.73	8.64	0.25
SSB206-20	1-1/4		62	30	16	1.2	8	22	6	1/4-28	15.73	8.64	0.23
SSB207		35	72	32	17	1.5	8.5	23.5	6	M8X1	20.83	11.68	0.37
SSB207-20	1-1/4		72	32	17	1.5	8.5	23.5	6	1/4-28	20.83	11.68	0.41
SSB207-21	1-5/16		72	32	17	1.5	8.5	23.5	6	1/4-28	20.83	11.68	0.39
SSB207-22	1-3/8		72	32	17	1.5	8.5	23.5	6	1/4-28	20.83	11.68	0.37
SSB207-23	1-7/16		72	32	17	1.5	8.5	23.5	6	1/4-28	20.83	11.68	0.35
SSB208		40	80	34	18	1.5	9	25	7	M8X1	23.55	13.6	0.8
SSB208-24	1-1/2		80	34	18	1.5	9	25	7	5/16-24	23.55	13.6	0.8
SSB208-25	1-9/16		80	34	18	1.5	9	25	7	5/16-24	23.55	13.6	0.8
SSB209		45	85	41.2	19	1.5	10.2	31	8	M8X1	26.44	19.56	0.87
SSB209-26	1-5/8		85	41.2	19	1.5	10.2	31	8	5/16-24	26.44	19.56	0.87
SSB209-27	1-11/16		85	41.2	19	1.5	10.2	31	8	5/16-24	26.44	19.56	0.87
SSB209-28	1-3/4		85	41.2	19	1.5	10.2	31	8	5/16-24	26.44	19.56	0.87
SSB210		50	90	43.5	20	1.5	10.9	32.6	9.5	M8*1	30.01	22.53	1.1
SSB210-29	1-13/16		90	43.5	20	1.5	10.9	32.6	9.5	5/16-24	30.01	22.53	1.1
SSB210-30	1-7/8		90	43.5	20	1.5	10.9	32.6	9.5	5/16-24	30.01	22.53	1.1
SSB210-31	1-15/16		90	43.5	20	1.5	10.9	32.6	9.5	5/16-24	30.01	22.53	1.1
SSB210-32	2		90	43.5	20	1.5	10.9	32.6	9.5	5/16-24	30.01	22.53	1.1
SSB211		55	100	45.3	21	1.5	11.8	33.5	10	M10X1,25	32.39	24	1.1
SSB211-32	2		100	45.3	21	1.5	11.8	33.5	10	5/16-24	32.39	24	1.1
SSB211-33	2-1/16		100	45.3	21	1.5	11.8	33.5	10	5/16-24	32.39	24	1.1
SSB211-34	2-1/8		100	45.3	21	1.5	11.8	33.5	10	5/16-24	32.39	24	1.1
SSB211-35	2-3/16		100	45.3	21	1.5	11.8	33.5	10	5/16-24	32.39	24	1.1
SSB212		60	110	53.7	22	1.8	14.9	38.8	10	M10X1,25	35.28	26.18	1.3

CRAFT	Dimension (mm)										Basic Load Rating (N)		Weight (kg)
	d (in)	d	D	Bi	Be	r	N	M	G	ds	Dyn. C	Stat. C ₀	
SSB212-36	2-1/4		110	53.7	22	1.8	14.9	38.8	10	5/16-24	35.28	26.18	1.3
SSB212-37	2-5/16		110	53.7	22	1.8	14.9	38.8	10	5/16-24	35.28	26.18	1.3
SSB212-38	2-3/8		110	53.7	22	1.8	14.9	38.8	10	5/16-24	35.28	26.18	1.3
SSB212-39	2-7/16		110	53.7	22	1.8	14.9	38.8	10	5/16-24	35.28	26.18	1.3

KEILRIEMEN.AT