



**CRAFT  
BEARINGS**

Quality Minded

**CATALOG**



# DEEP GROOVE BALL BEARINGS SINGLE ROW

Series: 60.. 62.. 63.. 64.. 622.. 623.. 160.. 618.. 619..



| Subject                       | Symbol | Description   |
|-------------------------------|--------|---|
| Seal type                     | ZZ     | Metal shields on both sides.                            |
|                               | 2RS    | Rubber seals on both sides.                             |
|                               | Z      | Metal shield on one side.                               |
|                               | RS     | Rubber seal on one side.                                |
| Radial internal clearance     | C2     | Less than normal.                                       |
|                               | CN     | Normal clearance. Is not indicated as a standard.       |
|                               | C3     | Greater clearance than normal.                          |
|                               | C4     | Greater than C3.  |
|                               | C5     | Greater than C4.  |
| Other technical modifications | NR     | Groove with inserted snap ring in outer ring.           |
|                               | N      | Snap ring groove in the outer ring.                     |
|                               | SS     | Stainless steel.  |
| Cage type                     | M      | Brass cage ball guided.                                 |
|                               | MB     | Brass cage, inner ring centered.                        |
|                               | MA     | Brass cage, outer ring centered.                        |
| Speed ratings                 | V      | Normal vibration level. Is not indicated as a standard. |
|                               | V2     | Lower vibration level than normal.                      |
|                               | V3     | Lower vibration level than V2.                          |
|                               | V4     | Lower vibration level than V3.                          |
| Tolerances                    | P0     | Normal tolerance level. Is not indicated as a standard. |
|                               | P6     | Greater tolerance level than P0.                        |
|                               | P5     | Greater tolerance level than P6.                        |

## **Features**

Single row deep groove ball bearings are most frequently used bearing type. They are versatile, self-retaining bearings with solid outer rings, inner rings and ball and cage assemblies. Due to their low frictional torque, they are suitable for high and even very high speeds and are robust in operation, little maintenance. Due to the raceway geometry and the balls used as rolling elements, deep groove ball bearings can support relatively high radial loads, as well as small axial loads.

## **Sealing and lubrication**

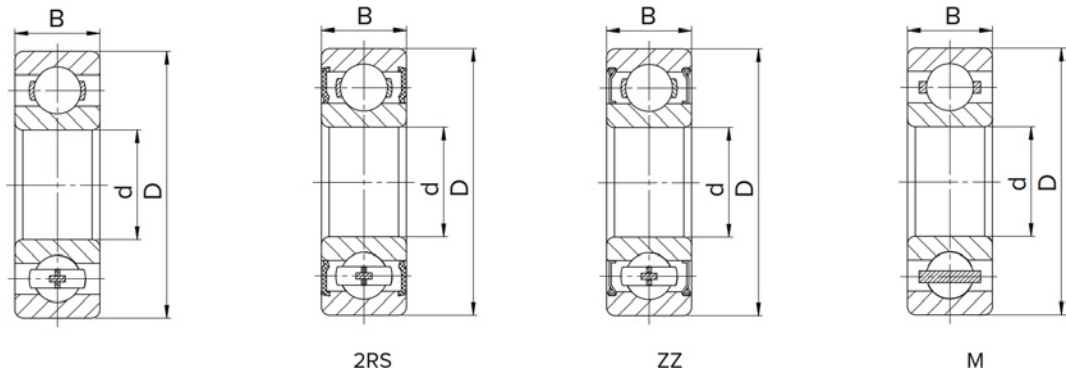
The most popular sizes of deep groove ball bearings are also produced in sealed versions. These bearings with Z and ZZ are greased using a high quality grease, lubricated for life and suitable for high speeds. Bearings with the suffix RS or 2RS have lip seals on one or both sides made from nitrile butadiene rubber. CRAFT bearings grease is a low noise bearing grease which is thickened by lithium 12-hydroxy stearic, it is made from deeply refined mineral oil with rust and oxidation inhibitors through special technical process. Applied temperature range -20 C - +120 C.

## **Radial internal clearance**

Bearing internal clearance is defined as the total distance through which one bearing ring can be moved relative to the other in the radial direction (radial internal clearance). CRAFT bearings single row deep groove ball bearings are manufactured with normal radial internal clearance as standard (CN). Most of the bearings are also available with C3 radial internal clearance. Depending on working conditions you can choose bearing with different internal clearances, the values of radial internal clearance are in accordance to ISO 5753:1 and are valid for unmounted bearings under zero measuring load.

## **Cages**

CRAFT single row deep groove ball bearings are supplied with one of the following cages: steel cage or brass cage. Single row deep groove ball bearings without a cage suffix have a steel cage. Most frequently deep groove ball bearing with ball-guided solid brass cages are indicated by suffix M. These brass cage bearings can also be with inner ring centered (MB), or outer ring centered (MA).



| ISO      | GOST   | Dimensions (mm) |     |    | Basic Load Rating (N) |                      | Limiting speed ( r/min ) |       | Weight (kg) |
|----------|--------|-----------------|-----|----|-----------------------|----------------------|--------------------------|-------|-------------|
|          |        | d               | D   | B  | Dyn. C                | Stat. C <sub>0</sub> | Lubrication              |       |             |
|          |        |                 |     |    |                       |                      | Grease                   | Oil   |             |
| 6000     | 100    | 10              | 26  | 8  | 4620                  | 1960                 | 29000                    | 34000 | 0.020       |
| 6000 ZZ  | 80100  | 10              | 26  | 8  | 4620                  | 1960                 | 29000                    | 34000 | 0.020       |
| 6000 2RS | 180100 | 10              | 26  | 8  | 4620                  | 1960                 | 19000                    | -     | 0.020       |
| 6001     | 101    | 12              | 28  | 8  | 5070                  | 2360                 | 26000                    | 30000 | 0.021       |
| 6001 ZZ  | 80101  | 12              | 28  | 8  | 5070                  | 2360                 | 26000                    | 30000 | 0.021       |
| 6001 2RS | 180101 | 12              | 28  | 8  | 5070                  | 2360                 | 17000                    | -     | 0.021       |
| 6002     | 102    | 15              | 32  | 9  | 5590                  | 2850                 | 22000                    | 26000 | 0.032       |
| 6002 ZZ  | 80102  | 15              | 32  | 9  | 5590                  | 2850                 | 22000                    | 26000 | 0.032       |
| 6002 2RS | 180102 | 15              | 32  | 9  | 5590                  | 2850                 | 16000                    | -     | 0.032       |
| 6003     | 103    | 17              | 35  | 10 | 6050                  | 3250                 | 20000                    | 24000 | 0.039       |
| 6003 ZZ  | 80103  | 17              | 35  | 10 | 6050                  | 3250                 | 20000                    | 24000 | 0.039       |
| 6003 2RS | 180103 | 17              | 35  | 10 | 6050                  | 3250                 | 12000                    | -     | 0.039       |
| 6004     | 104    | 20              | 42  | 12 | 9360                  | 5000                 | 18000                    | 21000 | 0.070       |
| 6004 ZZ  | 80104  | 20              | 42  | 12 | 9360                  | 5000                 | 18000                    | 21000 | 0.070       |
| 6004 2RS | 180104 | 20              | 42  | 12 | 9360                  | 5000                 | 10000                    | -     | 0.070       |
| 6005     | 105    | 25              | 47  | 12 | 11200                 | 6550                 | 15000                    | 18000 | 0.082       |
| 6005 ZZ  | 80105  | 25              | 47  | 12 | 11200                 | 6550                 | 15000                    | 18000 | 0.082       |
| 6005 2RS | 180105 | 25              | 47  | 12 | 11200                 | 6550                 | 9000                     | -     | 0.082       |
| 6006     | 106    | 30              | 55  | 13 | 13300                 | 8300                 | 13000                    | 15000 | 0.124       |
| 6006 ZZ  | 80106  | 30              | 55  | 13 | 13300                 | 8300                 | 13000                    | 15000 | 0.124       |
| 6006 2RS | 180106 | 30              | 55  | 13 | 13300                 | 8300                 | 7500                     | -     | 0.124       |
| 6007     | 107    | 35              | 62  | 14 | 15900                 | 10200                | 12000                    | 14000 | 0.161       |
| 6007 ZZ  | 80107  | 35              | 62  | 14 | 15900                 | 10200                | 12000                    | 14000 | 0.161       |
| 6007 2RS | 180107 | 35              | 62  | 14 | 15900                 | 10200                | 6500                     | -     | 0.161       |
| 6008     | 108    | 40              | 68  | 15 | 16800                 | 11600                | 10000                    | 12000 | 0.197       |
| 6008 ZZ  | 80108  | 40              | 68  | 15 | 16800                 | 11600                | 10000                    | 12000 | 0.197       |
| 6008 2RS | 180108 | 40              | 68  | 15 | 16800                 | 11600                | 5800                     | -     | 0.197       |
| 6009     | 109    | 45              | 75  | 16 | 20800                 | 14600                | 9200                     | 11000 | 0.254       |
| 6009 ZZ  | 80109  | 45              | 75  | 16 | 20800                 | 14600                | 9200                     | 11000 | 0.254       |
| 6009 2RS | 180109 | 45              | 75  | 16 | 20800                 | 14600                | 5300                     | -     | 0.254       |
| 6010     | 110    | 50              | 80  | 16 | 21600                 | 16000                | 8400                     | 9800  | 0.279       |
| 6010 ZZ  | 80110  | 50              | 80  | 16 | 21600                 | 16000                | 8400                     | 9800  | 0.279       |
| 6010 2RS | 180110 | 50              | 80  | 16 | 21600                 | 16000                | 4800                     | -     | 0.279       |
| 6011     | 111    | 55              | 90  | 18 | 28100                 | 21200                | 7700                     | 9000  | 0.405       |
| 6011 ZZ  | 80111  | 55              | 90  | 18 | 28100                 | 21200                | 7700                     | 9000  | 0.405       |
| 6011 2RS | 180111 | 55              | 90  | 18 | 28100                 | 21200                | 4300                     | -     | 0.405       |
| 6012     | 112    | 60              | 95  | 18 | 29600                 | 23200                | 7000                     | 8300  | 0.428       |
| 6012 ZZ  | 80112  | 60              | 95  | 18 | 29600                 | 23200                | 7000                     | 8300  | 0.428       |
| 6012 2RS | 180112 | 60              | 95  | 18 | 29600                 | 23200                | 4000                     | -     | 0.428       |
| 6013     | 113    | 65              | 100 | 18 | 30700                 | 25000                | 6500                     | 7700  | 0.458       |
| 6013 ZZ  | 80113  | 65              | 100 | 18 | 30700                 | 25000                | 6500                     | 7700  | 0.458       |
| 6013 2RS | 180113 | 65              | 100 | 18 | 30700                 | 25000                | 3700                     | -     | 0.458       |
| 6014     | 114    | 70              | 110 | 20 | 37700                 | 31000                | 6100                     | 7100  | 0.635       |

| ISO      | GOST   | Dimensions (mm) |     |    | Basic Load Rating (N) |                      | Limiting speed ( r/min ) |      | Weight (kg) |
|----------|--------|-----------------|-----|----|-----------------------|----------------------|--------------------------|------|-------------|
|          |        | d               | D   | B  | Dyn. C                | Stat. C <sub>0</sub> | Lubrication              |      |             |
|          |        |                 |     |    |                       |                      | Grease                   | Oil  |             |
| 6014 ZZ  | 80114  | 70              | 110 | 20 | 37700                 | 31000                | 6100                     | 7100 | 0.635       |
| 6014 2RS | 180114 | 70              | 110 | 20 | 37700                 | 31000                | 3500                     | -    | 0.635       |
| 6015     | 115    | 75              | 115 | 20 | 39700                 | 33500                | 5700                     | 6700 | 0.673       |
| 6015 ZZ  | 80115  | 75              | 115 | 20 | 39700                 | 33500                | 5700                     | 6700 | 0.673       |
| 6015 2RS | 180115 | 75              | 115 | 20 | 39700                 | 33500                | 3300                     | -    | 0.673       |
| 6016     | 116    | 80              | 125 | 22 | 47500                 | 40000                | 5300                     | 6200 | 0.877       |
| 6016 ZZ  | 80116  | 80              | 125 | 22 | 47500                 | 40000                | 5300                     | 6200 | 0.877       |
| 6016 2RS | 180116 | 80              | 125 | 22 | 47500                 | 40000                | 3100                     | -    | 0.877       |
| 6017     | 117    | 85              | 130 | 22 | 49400                 | 43000                | 5000                     | 5900 | 0.932       |
| 6017 ZZ  | 80117  | 85              | 130 | 22 | 49400                 | 43000                | 5000                     | 5900 | 0.932       |
| 6017 2RS | 180117 | 85              | 130 | 22 | 49400                 | 43000                | 2900                     | -    | 0.932       |
| 6018     | 118    | 90              | 140 | 24 | 58500                 | 50000                | 4700                     | 5600 | 1.190       |
| 6018 ZZ  | 80118  | 90              | 140 | 24 | 58500                 | 50000                | 4700                     | 5600 | 1.190       |
| 6018 2RS | 180118 | 90              | 140 | 24 | 58500                 | 50000                | 2700                     | -    | 1.190       |
| 6019     | 119    | 95              | 145 | 24 | 60500                 | 54000                | 4500                     | 5300 | 1.247       |
| 6019 ZZ  | 80119  | 95              | 145 | 24 | 60500                 | 54000                | 4500                     | 5300 | 1.247       |
| 6019 2RS | 180119 | 95              | 145 | 24 | 60500                 | 54000                | 2500                     | -    | 1.247       |
| 6020     | 120    | 100             | 150 | 24 | 60500                 | 54000                | 4200                     | 5000 | 1.340       |
| 6020 ZZ  | 80120  | 100             | 150 | 24 | 60500                 | 54000                | 4200                     | 5000 | 1.340       |
| 6020 2RS | 180120 | 100             | 150 | 24 | 60500                 | 54000                | 2400                     | -    | 1.340       |
| 6021     | 121    | 105             | 160 | 26 | 72800                 | 65500                | 4000                     | 4700 | 1.690       |
| 6021 ZZ  | 80121  | 105             | 160 | 26 | 72800                 | 65500                | 4000                     | 4700 | 1.690       |
| 6021 2RS | 180121 | 105             | 160 | 26 | 72800                 | 65500                | 2300                     | -    | 1.690       |
| 6022     | 122    | 110             | 170 | 28 | 81900                 | 73500                | 3800                     | 4500 | 2.023       |
| 6022 ZZ  | 80122  | 110             | 170 | 28 | 81900                 | 73500                | 3800                     | 4500 | 2.023       |
| 6022 2RS | 180122 | 110             | 170 | 28 | 81900                 | 73500                | 2200                     | -    | 2.023       |
| 6024     | 124    | 120             | 180 | 28 | 85200                 | 80000                | 3200                     | 3800 | 2.213       |
| 6024 ZZ  | 80124  | 120             | 180 | 28 | 85200                 | 80000                | 3200                     | 3800 | 2.213       |
| 6024 2RS | 180124 | 120             | 180 | 28 | 85200                 | 80000                | 2100                     | -    | 2.213       |
| 6026     | 126    | 130             | 200 | 33 | 104000                | 100000               | 3200                     | 3800 | 3.270       |
| 6026 ZZ  | 80126  | 130             | 200 | 33 | 104000                | 100000               | 3200                     | 3800 | 3.270       |
| 6026 2RS | 180126 | 130             | 200 | 33 | 104000                | 100000               | 1900                     | -    | 3.270       |
| 6028     | 128    | 140             | 210 | 33 | 110000                | 109000               | 3000                     | 3500 | 3.547       |
| 6028 ZZ  | 80128  | 140             | 210 | 33 | 110000                | 109000               | 3000                     | 3500 | 3.547       |
| 6028 2RS | 180128 | 140             | 210 | 33 | 110000                | 109000               | 1800                     | -    | 3.547       |
| 6030     | 130    | 150             | 225 | 35 | 131000                | 124000               | 2800                     | 3200 | 4.880       |
| 6030 ZZ  | 80130  | 150             | 225 | 35 | 131000                | 124000               | 2800                     | 3200 | 4.880       |
| 6030 2RS | 180130 | 150             | 225 | 35 | 131000                | 124000               | 1600                     | -    | 4.880       |
| 6032     | 132    | 160             | 240 | 38 | 136000                | 135000               | 2600                     | 3000 | 6.073       |
| 6032 ZZ  | 80132  | 160             | 240 | 38 | 136000                | 135000               | 2600                     | 3000 | 6.073       |
| 6032 2RS | 180132 | 160             | 240 | 38 | 136000                | 135000               | 1500                     | -    | 6.073       |
| 6034     | 134    | 170             | 260 | 42 | 168000                | 173000               | 2400                     | 2800 | 7.175       |
| 6034 ZZ  | 80134  | 170             | 260 | 42 | 168000                | 173000               | 2400                     | 2800 | 7.175       |
| 6036     | 136    | 180             | 280 | 46 | 180000                | 184000               | 2300                     | 2700 | 10.56       |
| 6036 ZZ  | 80136  | 180             | 280 | 46 | 180000                | 184000               | 2300                     | 2700 | 10.56       |
| 6038     | 138    | 190             | 290 | 46 | 188000                | 200000               | 2100                     | 2500 | 11.07       |
| 6038 ZZ  | 80138  | 190             | 290 | 46 | 188000                | 200000               | 2100                     | 2500 | 11.07       |
| 6040     | 140    | 200             | 310 | 51 | 201000                | 222000               | 2000                     | 2400 | 14.10       |
| 6040 ZZ  | 80140  | 200             | 310 | 51 | 201000                | 222000               | 2000                     | 2400 | 14.10       |
| 6044     | 144    | 220             | 340 | 56 | 247000                | 290000               | 1800                     | 2200 | 18.50       |
| 6048     | 148    | 240             | 360 | 56 | 255000                | 315000               | 1700                     | 2000 | 20.00       |
| 6052     | 152    | 260             | 400 | 65 | 291000                | 375000               | 1500                     | 1800 | 28.50       |
| 6056     | 156    | 280             | 420 | 65 | 325000                | 420000               | 1400                     | 1600 | 31.00       |
| 6060     | 160    | 300             | 460 | 74 | 355000                | 480000               | 1300                     | 1500 | 43.50       |
| 6064     | 164    | 320             | 480 | 74 | 371000                | 540000               | 1200                     | 1400 | 46.00       |
| 6068     | 168    | 340             | 520 | 82 | 423000                | 640000               | 1100                     | 1300 | 62.00       |

| ISO      | GOST   | Dimensions (mm) |     |    | Basic Load Rating (N) |                      | Limiting speed ( r/min ) |       | Weight (kg) |
|----------|--------|-----------------|-----|----|-----------------------|----------------------|--------------------------|-------|-------------|
|          |        | d               | D   | B  | Dyn. C                | Stat. C <sub>0</sub> | Lubrication              |       |             |
|          |        |                 |     |    |                       |                      | Grease                   | Oil   |             |
| 6072     | 172    | 360             | 540 | 82 | 462000                | 735000               | 1100                     | 1200  | 64.50       |
| 6076     | 176    | 380             | 560 | 82 | 470000                | 750000               | 990                      | 1200  | 67.50       |
| 6080     | 180    | 400             | 600 | 90 | 520000                | 865000               | 930                      | 1100  | 87.50       |
| 6084     | 184    | 420             | 620 | 90 | 530000                | 895000               | 880                      | 1000  | 91.00       |
| 6200     | 200    | 10              | 30  | 9  | 5070                  | 2360                 | 25000                    | 30000 | 0.031       |
| 6200 ZZ  | 80200  | 10              | 30  | 9  | 5070                  | 2360                 | 25000                    | 30000 | 0.031       |
| 6200 2RS | 180200 | 10              | 30  | 9  | 5070                  | 2360                 | 17000                    | -     | 0.031       |
| 6201     | 201    | 12              | 32  | 10 | 6890                  | 3100                 | 22000                    | 26000 | 0.038       |
| 6201 ZZ  | 80201  | 12              | 32  | 10 | 6890                  | 3100                 | 22000                    | 26000 | 0.038       |
| 6201 2RS | 180201 | 12              | 32  | 10 | 6890                  | 3100                 | 15000                    | -     | 0.038       |
| 6202     | 202    | 15              | 35  | 11 | 7800                  | 3750                 | 19000                    | 23000 | 0.044       |
| 6202 ZZ  | 80202  | 15              | 35  | 11 | 7800                  | 3750                 | 19000                    | 23000 | 0.044       |
| 6202 2RS | 180202 | 15              | 35  | 11 | 7800                  | 3750                 | 13000                    | -     | 0.044       |
| 6203     | 203    | 17              | 40  | 12 | 9560                  | 4750                 | 18000                    | 21000 | 0.066       |
| 6203 ZZ  | 80203  | 17              | 40  | 12 | 9560                  | 4750                 | 18000                    | 21000 | 0.066       |
| 6203 2RS | 180203 | 17              | 40  | 12 | 9560                  | 4750                 | 12000                    | -     | 0.066       |
| 6204     | 204    | 20              | 47  | 14 | 12700                 | 6550                 | 16000                    | 18000 | 0.109       |
| 6204 ZZ  | 80204  | 20              | 47  | 14 | 12700                 | 6550                 | 16000                    | 18000 | 0.109       |
| 6204 2RS | 180204 | 20              | 47  | 14 | 12700                 | 6550                 | 10000                    | -     | 0.109       |
| 6205     | 205    | 25              | 52  | 15 | 14000                 | 7800                 | 13000                    | 15000 | 0.133       |
| 6205 ZZ  | 80205  | 25              | 52  | 15 | 14000                 | 7800                 | 13000                    | 15000 | 0.133       |
| 6205 2RS | 180205 | 25              | 52  | 15 | 14000                 | 7800                 | 8500                     | -     | 0.133       |
| 6206     | 206    | 30              | 62  | 16 | 19500                 | 11200                | 11000                    | 13000 | 0.200       |
| 6206 ZZ  | 80206  | 30              | 62  | 16 | 19500                 | 11200                | 11000                    | 13000 | 0.200       |
| 6206 2RS | 180206 | 30              | 62  | 16 | 19500                 | 11200                | 7500                     | -     | 0.200       |
| 6207     | 207    | 35              | 72  | 17 | 25500                 | 15300                | 9800                     | 11000 | 0.299       |
| 6207 ZZ  | 80207  | 35              | 72  | 17 | 25500                 | 15300                | 9800                     | 11000 | 0.299       |
| 6207 2RS | 180207 | 35              | 72  | 17 | 25500                 | 15300                | 6300                     | -     | 0.299       |
| 6208     | 208    | 40              | 80  | 18 | 30700                 | 19000                | 8700                     | 10000 | 0.379       |
| 6208 ZZ  | 80208  | 40              | 80  | 18 | 30700                 | 19000                | 8700                     | 10000 | 0.379       |
| 6208 2RS | 180208 | 40              | 80  | 18 | 30700                 | 19000                | 5600                     | -     | 0.379       |
| 6209     | 209    | 45              | 85  | 19 | 33200                 | 21600                | 7800                     | 9200  | 0.430       |
| 6209 ZZ  | 80209  | 45              | 85  | 19 | 33200                 | 21600                | 7800                     | 9200  | 0.430       |
| 6209 2RS | 180209 | 45              | 85  | 19 | 33200                 | 21600                | 5000                     | -     | 0.430       |
| 6210     | 210    | 50              | 90  | 20 | 35100                 | 23200                | 7100                     | 8300  | 0.475       |
| 6210 ZZ  | 80210  | 50              | 90  | 20 | 35100                 | 23200                | 7100                     | 8300  | 0.475       |
| 6210 2RS | 180210 | 50              | 90  | 20 | 35100                 | 23200                | 4800                     | -     | 0.475       |
| 6211     | 211    | 55              | 100 | 21 | 43600                 | 29000                | 6400                     | 7600  | 0.625       |
| 6211 ZZ  | 80211  | 55              | 100 | 21 | 43600                 | 29000                | 6400                     | 7600  | 0.625       |
| 6211 2RS | 180211 | 55              | 100 | 21 | 43600                 | 29000                | 4300                     | -     | 0.625       |
| 6212     | 212    | 60              | 110 | 22 | 47500                 | 32500                | 6000                     | 7000  | 0.797       |
| 6212 ZZ  | 80212  | 60              | 110 | 22 | 47500                 | 32500                | 6000                     | 7000  | 0.797       |
| 6212 2RS | 180212 | 60              | 110 | 22 | 47500                 | 32500                | 3700                     | -     | 0.797       |
| 6213     | 213    | 65              | 120 | 23 | 55900                 | 40500                | 5500                     | 6500  | 1.017       |
| 6213 ZZ  | 80213  | 65              | 120 | 23 | 55900                 | 40500                | 5500                     | 6500  | 1.017       |
| 6213 2RS | 180213 | 65              | 120 | 23 | 55900                 | 40500                | 3500                     | -     | 1.017       |
| 6214     | 214    | 70              | 125 | 24 | 60500                 | 45000                | 5100                     | 6000  | 1.110       |
| 6214 ZZ  | 80214  | 70              | 125 | 24 | 60500                 | 45000                | 5100                     | 6000  | 1.110       |
| 6214 2RS | 180214 | 70              | 125 | 24 | 60500                 | 45000                | 3300                     | -     | 1.110       |
| 6215     | 215    | 75              | 130 | 25 | 66300                 | 49000                | 4800                     | 5600  | 1.210       |
| 6215 ZZ  | 80215  | 75              | 130 | 25 | 66300                 | 49000                | 4800                     | 5600  | 1.210       |
| 6215 2RS | 180215 | 75              | 130 | 25 | 66300                 | 49000                | 3100                     | -     | 1.210       |
| 6216     | 216    | 80              | 140 | 26 | 70200                 | 55000                | 4500                     | 5300  | 1.460       |
| 6216 ZZ  | 80216  | 80              | 140 | 26 | 70200                 | 55000                | 4500                     | 5300  | 1.460       |
| 6216 2RS | 180216 | 80              | 140 | 26 | 70200                 | 55000                | 2900                     | -     | 1.460       |
| 6217     | 217    | 85              | 150 | 28 | 83200                 | 64000                | 4200                     | 5000  | 1.847       |
| 6217 ZZ  | 80217  | 85              | 150 | 28 | 83200                 | 64000                | 4200                     | 5000  | 1.847       |
| 6217 2RS | 180217 | 85              | 150 | 28 | 83200                 | 64000                | 2700                     | -     | 1.847       |
| 6218     | 218    | 90              | 160 | 30 | 95600                 | 73500                | 4000                     | 4700  | 2.223       |

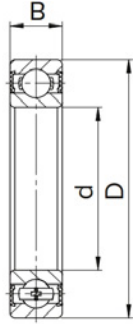
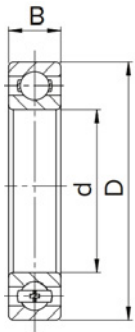
| ISO      | GOST   | Dimensions (mm) |     |     | Basic Load Rating (N) |                      | Limiting speed ( r/min ) |       | Weight (kg) |
|----------|--------|-----------------|-----|-----|-----------------------|----------------------|--------------------------|-------|-------------|
|          |        | d               | D   | B   | Dyn. C                | Stat. C <sub>0</sub> | Lubrication              |       |             |
|          |        |                 |     |     |                       |                      | Grease                   | Oil   |             |
| 6218 ZZ  | 80218  | 90              | 160 | 30  | 95600                 | 73500                | 4000                     | 4700  | 2.223       |
| 6218 2RS | 180218 | 90              | 160 | 30  | 95600                 | 73500                | 2600                     | -     | 2.223       |
| 6219     | 219    | 95              | 170 | 32  | 108000                | 81500                | 3700                     | 4400  | 2.713       |
| 6219 ZZ  | 80219  | 95              | 170 | 32  | 108000                | 81500                | 3700                     | 4400  | 2.713       |
| 6219 2RS | 180219 | 95              | 170 | 32  | 108000                | 81500                | 2400                     | -     | 2.713       |
| 6220     | 220    | 100             | 180 | 34  | 124000                | 93000                | 3500                     | 4200  | 3.321       |
| 6220 ZZ  | 80220  | 100             | 180 | 34  | 124000                | 93000                | 3500                     | 4200  | 3.321       |
| 6220 2RS | 180220 | 100             | 180 | 34  | 124000                | 93000                | 2300                     | -     | 3.321       |
| 6221     | 221    | 105             | 190 | 36  | 133000                | 104000               | 3400                     | 4000  | 3.717       |
| 6221 ZZ  | 80221  | 105             | 190 | 36  | 133000                | 104000               | 3400                     | 4000  | 3.717       |
| 6221 2RS | 180221 | 105             | 190 | 36  | 133000                | 105000               | 2200                     | -     | 3.717       |
| 6222     | 222    | 110             | 200 | 38  | 143000                | 118000               | 3200                     | 3800  | 4.340       |
| 6222 ZZ  | 80222  | 110             | 200 | 38  | 143000                | 118000               | 3200                     | 3800  | 4.340       |
| 6222 2RS | 180222 | 110             | 200 | 38  | 143000                | 118000               | 2000                     | -     | 4.340       |
| 6224     | 224    | 120             | 215 | 40  | 148000                | 131000               | 2900                     | 3400  | 5.100       |
| 6224 ZZ  | 80224  | 120             | 215 | 40  | 148000                | 131000               | 2900                     | 3400  | 5.100       |
| 6224 2RS | 180224 | 120             | 215 | 40  | 148000                | 131000               | 1900                     | -     | 5.100       |
| 6226     | 226    | 130             | 230 | 40  | 156000                | 146000               | 2700                     | 3100  | 5.615       |
| 6226 ZZ  | 80226  | 130             | 230 | 40  | 156000                | 146000               | 2700                     | 3100  | 5.615       |
| 6228     | 228    | 140             | 250 | 42  | 165000                | 150000               | 2500                     | 2900  | 7.485       |
| 6228 ZZ  | 80228  | 140             | 250 | 42  | 165000                | 150000               | 2500                     | 2900  | 7.485       |
| 6230     | 230    | 150             | 270 | 45  | 174000                | 166000               | 2300                     | 2700  | 9.475       |
| 6230 ZZ  | 80230  | 150             | 270 | 45  | 174000                | 166000               | 2300                     | 2700  | 9.475       |
| 6232     | 232    | 160             | 290 | 48  | 186000                | 186000               | 2100                     | 2500  | 14.590      |
| 6232 ZZ  | 80232  | 160             | 290 | 48  | 186000                | 186000               | 2100                     | 2500  | 14.590      |
| 6234     | 234    | 170             | 310 | 52  | 212000                | 224000               | 2000                     | 2400  | 17.570      |
| 6234 ZZ  | 80234  | 170             | 310 | 52  | 212000                | 224000               | 2000                     | 2400  | 17.570      |
| 6236     | 236    | 180             | 320 | 52  | 229000                | 240000               | 1900                     | 2200  | 18.600      |
| 6236 ZZ  | 80236  | 180             | 320 | 52  | 229000                | 240000               | 1900                     | 2200  | 18.600      |
| 6238     | 238    | 190             | 340 | 55  | 255000                | 280000               | 1800                     | 2100  | 22.800      |
| 6240     | 240    | 200             | 360 | 58  | 270000                | 310000               | 1700                     | 2000  | 28.000      |
| 6244     | 244    | 220             | 400 | 65  | 296000                | 365000               | 1500                     | 1800  | 32.40       |
| 6248     | 248    | 240             | 440 | 72  | 340000                | 431000               | 1300                     | 1600  | 51.00       |
| 6252     | 252    | 260             | 480 | 80  | 390000                | 530000               | 1100                     | 1400  | 65.50       |
| 6256     | 256    | 280             | 500 | 80  | 423000                | 600000               | 1100                     | 1400  | 71.00       |
| 6260     | 260    | 300             | 540 | 85  | 441000                | 663000               | 1000                     | 1350  | 89.50       |
| 6264     | 264    | 320             | 580 | 92  | 489000                | 744000               | 950                      | 1200  | 113.00      |
| 6268     | 268    | 340             | 620 | 92  | 511000                | 817000               | 900                      | 1100  | 131.00      |
| 6272     | 272    | 360             | 650 | 95  | 557000                | 904000               | 850                      | 1000  | 144.00      |
| 6276     | 276    | 380             | 680 | 95  | 584000                | 990000               | 800                      | 900   | 162.00      |
| 6280     | 280    | 400             | 720 | 103 | 628000                | 1080000              | 700                      | 800   | 197.00      |
| 6300     | 300    | 10              | 35  | 11  | 8060                  | 3400                 | 23000                    | 27000 | 0.054       |
| 6300 ZZ  | 80300  | 10              | 35  | 11  | 8060                  | 3400                 | 23000                    | 27000 | 0.054       |
| 6300 2RS | 180300 | 10              | 35  | 11  | 8060                  | 3400                 | 15000                    | -     | 0.054       |
| 6301     | 301    | 12              | 37  | 12  | 9750                  | 4150                 | 20000                    | 24000 | 0.063       |
| 6301 ZZ  | 80301  | 12              | 37  | 12  | 9750                  | 4150                 | 20000                    | 24000 | 0.063       |
| 6301 2RS | 180301 | 12              | 37  | 12  | 9750                  | 4150                 | 14000                    | -     | 0.063       |
| 6302     | 302    | 15              | 42  | 13  | 11400                 | 5400                 | 17000                    | 21000 | 0.087       |
| 6302 ZZ  | 80302  | 15              | 42  | 13  | 11400                 | 5400                 | 17000                    | 21000 | 0.087       |
| 6302 2RS | 180302 | 15              | 42  | 13  | 11400                 | 5400                 | 12000                    | -     | 0.087       |
| 6303     | 303    | 17              | 47  | 14  | 13500                 | 6550                 | 16000                    | 19000 | 0.117       |
| 6303 ZZ  | 80303  | 17              | 47  | 14  | 13500                 | 6550                 | 16000                    | 19000 | 0.117       |
| 6303 2RS | 180303 | 17              | 47  | 14  | 13500                 | 6550                 | 11000                    | -     | 0.117       |
| 6304     | 304    | 20              | 52  | 15  | 15900                 | 7800                 | 14000                    | 17000 | 0.153       |
| 6304 ZZ  | 80304  | 20              | 52  | 15  | 15900                 | 7800                 | 14000                    | 17000 | 0.153       |
| 6304 2RS | 180304 | 20              | 52  | 15  | 15900                 | 7800                 | 9500                     | -     | 0.153       |
| 6305     | 305    | 25              | 62  | 17  | 22500                 | 11600                | 12000                    | 14000 | 0.238       |
| 6305 ZZ  | 80305  | 25              | 62  | 17  | 22500                 | 11600                | 12000                    | 14000 | 0.238       |
| 6305 2RS | 180305 | 25              | 62  | 17  | 22500                 | 11600                | 7500                     | -     | 0.238       |

| ISO      | GOST   | Dimensions (mm) |     |    | Basic Load Rating (N) |                      | Limiting speed ( r/min ) |       | Weight (kg) |
|----------|--------|-----------------|-----|----|-----------------------|----------------------|--------------------------|-------|-------------|
|          |        | d               | D   | B  | Dyn. C                | Stat. C <sub>0</sub> | Lubrication              |       |             |
|          |        |                 |     |    |                       |                      | Grease                   | Oil   |             |
| 6306     | 306    | 30              | 72  | 19 | 28100                 | 16000                | 10000                    | 12000 | 0.360       |
| 6306 ZZ  | 80306  | 30              | 72  | 19 | 28100                 | 16000                | 10000                    | 12000 | 0.360       |
| 6306 2RS | 180306 | 30              | 72  | 19 | 28100                 | 16000                | 6300                     | -     | 0.360       |
| 6307     | 307    | 35              | 80  | 21 | 33200                 | 19000                | 8800                     | 10000 | 0.467       |
| 6307 ZZ  | 80307  | 35              | 80  | 21 | 33200                 | 19000                | 8800                     | 10000 | 0.467       |
| 6307 2RS | 180307 | 35              | 80  | 21 | 33200                 | 19000                | 6000                     | -     | 0.467       |
| 6308     | 308    | 40              | 90  | 23 | 41000                 | 24000                | 7800                     | 9200  | 0.640       |
| 6308 ZZ  | 80308  | 40              | 90  | 23 | 41000                 | 24000                | 7800                     | 9200  | 0.640       |
| 6308 2RS | 180308 | 40              | 90  | 23 | 41000                 | 24000                | 5000                     | -     | 0.640       |
| 6309     | 309    | 45              | 100 | 25 | 52700                 | 31500                | 7000                     | 8200  | 0.843       |
| 6309 ZZ  | 80309  | 45              | 100 | 25 | 52700                 | 31500                | 7000                     | 8200  | 0.843       |
| 6309 2RS | 180309 | 45              | 100 | 25 | 52700                 | 31500                | 4500                     | -     | 0.843       |
| 6310     | 310    | 50              | 110 | 27 | 61800                 | 38000                | 6400                     | 7500  | 1.097       |
| 6310 ZZ  | 80310  | 50              | 110 | 27 | 61800                 | 38000                | 6400                     | 7500  | 1.097       |
| 6310 2RS | 180310 | 50              | 110 | 27 | 61800                 | 38000                | 4300                     | -     | 1.097       |
| 6311     | 311    | 55              | 120 | 29 | 71500                 | 45000                | 5800                     | 6800  | 1.377       |
| 6311 ZZ  | 80311  | 55              | 120 | 29 | 71500                 | 45000                | 5800                     | 6800  | 1.377       |
| 6311 2RS | 180311 | 55              | 120 | 29 | 71500                 | 45000                | 3800                     | -     | 1.377       |
| 6312     | 312    | 60              | 130 | 31 | 81900                 | 52000                | 5400                     | 6300  | 1.733       |
| 6312 ZZ  | 80312  | 60              | 130 | 31 | 81900                 | 52000                | 5400                     | 6300  | 1.733       |
| 6312 2RS | 180312 | 60              | 130 | 31 | 81900                 | 52000                | 3400                     | -     | 1.733       |
| 6313     | 313    | 65              | 140 | 33 | 92300                 | 60000                | 4900                     | 5800  | 2.153       |
| 6313 ZZ  | 80313  | 65              | 140 | 33 | 92300                 | 60000                | 4900                     | 5800  | 2.153       |
| 6313 2RS | 180313 | 65              | 140 | 33 | 92300                 | 60000                | 3200                     | -     | 2.153       |
| 6314     | 314    | 70              | 150 | 35 | 104000                | 68000                | 4600                     | 5400  | 2.560       |
| 6314 ZZ  | 80314  | 70              | 150 | 35 | 104000                | 68000                | 4600                     | 5400  | 2.560       |
| 6314 2RS | 180314 | 70              | 150 | 35 | 104000                | 68000                | 3000                     | -     | 2.560       |
| 6315     | 315    | 75              | 160 | 37 | 114400                | 76500                | 4300                     | 5000  | 3.120       |
| 6315 ZZ  | 80315  | 75              | 160 | 37 | 114400                | 76500                | 4300                     | 5000  | 3.120       |
| 6315 2RS | 180315 | 75              | 160 | 37 | 114400                | 76500                | 2800                     | -     | 3.120       |
| 6316     | 316    | 80              | 170 | 39 | 124000                | 86500                | 4000                     | 4700  | 3.680       |
| 6316 ZZ  | 80316  | 80              | 170 | 39 | 124000                | 86500                | 4000                     | 4700  | 3.680       |
| 6316 2RS | 180316 | 80              | 170 | 39 | 124000                | 86500                | 2700                     | -     | 3.680       |
| 6317     | 317    | 85              | 180 | 41 | 133000                | 96500                | 3800                     | 4500  | 4.303       |
| 6317 ZZ  | 80317  | 85              | 180 | 41 | 133000                | 96500                | 3800                     | 4500  | 4.303       |
| 6317 2RS | 180317 | 85              | 180 | 41 | 133000                | 96500                | 2500                     | -     | 4.303       |
| 6318     | 318    | 90              | 190 | 43 | 143000                | 108000               | 3600                     | 4200  | 4.967       |
| 6318 ZZ  | 80318  | 90              | 190 | 43 | 143000                | 108000               | 3600                     | 4200  | 4.967       |
| 6318 2RS | 180318 | 90              | 190 | 43 | 143000                | 108000               | 2400                     | -     | 4.967       |
| 6319     | 319    | 95              | 200 | 45 | 153000                | 118000               | 3300                     | 3900  | 5.710       |
| 6319 ZZ  | 80319  | 95              | 200 | 45 | 153000                | 118000               | 3300                     | 3900  | 5.710       |
| 6319 2RS | 180319 | 95              | 200 | 45 | 153000                | 118000               | 2200                     | -     | 5.710       |
| 6320     | 320    | 100             | 215 | 47 | 174000                | 140000               | 3200                     | 3700  | 7.633       |
| 6320 ZZ  | 80320  | 100             | 215 | 47 | 174000                | 140000               | 3200                     | 3700  | 7.633       |
| 6320 2RS | 180320 | 100             | 215 | 47 | 174000                | 140000               | 2100                     | -     | 7.633       |
| 6321     | 321    | 105             | 225 | 49 | 182000                | 153000               | 3000                     | 3600  | 8.677       |
| 6321 ZZ  | 80321  | 105             | 225 | 49 | 182000                | 153000               | 3000                     | 3600  | 8.677       |
| 6321 2RS | 180321 | 105             | 225 | 49 | 182000                | 153000               | 1900                     | -     | 8.677       |
| 6322     | 322    | 110             | 240 | 50 | 203000                | 180000               | 2900                     | 3400  | 9.603       |
| 6322 ZZ  | 80322  | 110             | 240 | 50 | 203000                | 180000               | 2900                     | 3400  | 9.603       |
| 6322 2RS | 180322 | 110             | 240 | 50 | 203000                | 180000               | 1600                     | -     | 9.603       |
| 6324     | 324    | 120             | 260 | 55 | 208000                | 186000               | 2600                     | 3100  | 12.750      |
| 6324 ZZ  | 80324  | 120             | 260 | 55 | 208000                | 186000               | 2600                     | 3100  | 12.750      |
| 6326     | 326    | 130             | 280 | 58 | 230000                | 216000               | 2400                     | 2800  | 18.400      |
| 6326 ZZ  | 80326  | 130             | 280 | 58 | 230000                | 216000               | 2400                     | 2800  | 18.400      |
| 6328     | 328    | 140             | 300 | 62 | 251000                | 245000               | 2200                     | 2600  | 22.000      |
| 6328 ZZ  | 80328  | 140             | 300 | 62 | 251000                | 245000               | 2200                     | 2600  | 22.000      |
| 6330     | 330    | 150             | 320 | 65 | 276000                | 285000               | 2000                     | 2400  | 23.000      |
| 6332     | 332    | 160             | 340 | 68 | 285000                | 300000               | 1900                     | 2300  | 29.000      |

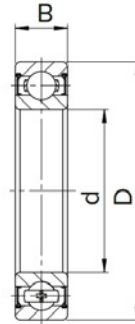


| ISO      | GOST   | Dimensions (mm) |     |     | Basic Load Rating (N) |                      | Limiting speed ( r/min ) |       | Weight (kg) |
|----------|--------|-----------------|-----|-----|-----------------------|----------------------|--------------------------|-------|-------------|
|          |        | d               | D   | B   | Dyn. C                | Stat. C <sub>0</sub> | Lubrication              |       |             |
|          |        |                 |     |     |                       |                      | Grease                   | Oil   |             |
| 6334     | 334    | 170             | 360 | 72  | 312000                | 340000               | 1800                     | 2100  | 34.500      |
| 6336     | 336    | 180             | 380 | 75  | 351000                | 405000               | 1700                     | 2000  | 42.500      |
| 6338     | 338    | 190             | 400 | 78  | 371000                | 430000               | 1600                     | 1900  | 49.000      |
| 6340     | 340    | 200             | 420 | 80  | 377000                | 465000               | 1500                     | 1800  | 55.500      |
| 6344     | 344    | 220             | 460 | 88  | 410000                | 520000               | 1400                     | 1600  | 60.800      |
| 6348     | 348    | 240             | 500 | 95  | 470000                | 624000               | 1300                     | 1500  | 93.300      |
| 6352     | 352    | 260             | 540 | 102 | 531000                | 741000               | 1200                     | 1400  | 116.000     |
| 6356     | 356    | 280             | 580 | 108 | 568000                | 845000               | 1100                     | 1300  | 145.000     |
| 6360     | 360    | 300             | 620 | 109 | 593000                | 886000               | 1000                     | 1150  | 169.000     |
| 6364     | 364    | 320             | 670 | 112 | 634000                | 1010000              | 900                      | 1050  | 207.000     |
| 6368     | 368    | 340             | 710 | 118 | 704000                | 1160000              | 800                      | 950   | 238.000     |
| 6403     | 403    | 17              | 62  | 17  | 22900                 | 10800                | 13000                    | 15000 | 0.270       |
| 6403 ZZ  | 80403  | 17              | 62  | 17  | 22900                 | 10800                | 13000                    | 15000 | 0.270       |
| 6403 2RS | 180403 | 17              | 62  | 17  | 22900                 | 10800                | 8000                     | -     | 0.270       |
| 6404     | 404    | 20              | 72  | 19  | 31000                 | 15200                | 9500                     | 12000 | 0.400       |
| 6404 ZZ  | 80404  | 20              | 72  | 19  | 31000                 | 15200                | 9500                     | 12000 | 0.400       |
| 6404 2RS | 180404 | 20              | 72  | 19  | 31000                 | 15200                | 6300                     | -     | 0.400       |
| 6405     | 405    | 25              | 80  | 21  | 35800                 | 19300                | 8500                     | 10000 | 0.530       |
| 6405 ZZ  | 80405  | 25              | 80  | 21  | 35800                 | 19300                | 8500                     | 10000 | 0.530       |
| 6405 2RS | 180405 | 25              | 80  | 21  | 35800                 | 19300                | 5600                     | -     | 0.530       |
| 6406     | 406    | 30              | 90  | 23  | 43600                 | 23600                | 7500                     | 9000  | 0.740       |
| 6406 ZZ  | 80406  | 30              | 90  | 23  | 43600                 | 23600                | 7500                     | 9000  | 0.740       |
| 6406 2RS | 180406 | 30              | 90  | 23  | 43600                 | 23600                | 5000                     | -     | 0.740       |
| 6407     | 407    | 35              | 100 | 25  | 55300                 | 31000                | 6700                     | 8000  | 0.950       |
| 6407 ZZ  | 80407  | 35              | 100 | 25  | 55300                 | 31000                | 6700                     | 8000  | 0.950       |
| 6407 2RS | 180407 | 35              | 100 | 25  | 55300                 | 31000                | 4500                     | -     | 0.950       |
| 6408     | 408    | 40              | 110 | 27  | 63700                 | 36500                | 6000                     | 7000  | 1.250       |
| 6408 ZZ  | 80408  | 40              | 110 | 27  | 63700                 | 36500                | 6000                     | 7000  | 1.250       |
| 6408 2RS | 180408 | 40              | 110 | 27  | 63700                 | 36500                | 4000                     | -     | 1.250       |
| 6409     | 409    | 45              | 120 | 29  | 76100                 | 45000                | 5300                     | 6300  | 1.550       |
| 6409 ZZ  | 80409  | 45              | 120 | 29  | 76100                 | 45000                | 5300                     | 6300  | 1.550       |
| 6409 2RS | 180409 | 45              | 120 | 29  | 76100                 | 45000                | 3600                     | -     | 1.550       |
| 6410     | 410    | 50              | 130 | 31  | 87100                 | 52000                | 5000                     | 6000  | 1.900       |
| 6410 ZZ  | 80410  | 50              | 130 | 31  | 87100                 | 52000                | 5000                     | 6000  | 1.900       |
| 6410 2RS | 180410 | 50              | 130 | 31  | 87100                 | 52000                | 3400                     | -     | 1.900       |
| 6411     | 411    | 55              | 140 | 33  | 99500                 | 62000                | 4500                     | 5300  | 2.300       |
| 6411 ZZ  | 80411  | 55              | 140 | 33  | 99500                 | 62000                | 4500                     | 5300  | 2.300       |
| 6411 2RS | 180411 | 55              | 140 | 33  | 99500                 | 62000                | 3000                     | -     | 2.300       |
| 6412     | 412    | 60              | 150 | 35  | 108000                | 69500                | 4300                     | 5000  | 2.750       |
| 6412 ZZ  | 80412  | 60              | 150 | 35  | 108000                | 69500                | 4300                     | 5000  | 2.750       |
| 6412 2RS | 180412 | 60              | 150 | 35  | 108000                | 69500                | 2800                     | -     | 2.750       |
| 6413     | 413    | 65              | 160 | 37  | 119000                | 78000                | 4000                     | 4800  | 3.300       |
| 6413 ZZ  | 80413  | 65              | 160 | 37  | 119000                | 78000                | 4000                     | 4800  | 3.300       |
| 6413 2RS | 180413 | 65              | 160 | 37  | 119000                | 78000                | 2600                     | -     | 3.300       |
| 6414     | 414    | 70              | 180 | 42  | 143000                | 10400                | 3800                     | 4500  | 4.850       |
| 6414 ZZ  | 80414  | 70              | 180 | 42  | 143000                | 10400                | 3800                     | 4500  | 4.850       |
| 6414 2RS | 180414 | 70              | 180 | 42  | 143000                | 10400                | 2500                     | -     | 4.850       |
| 6415     | 415    | 75              | 190 | 45  | 153000                | 114000               | 3700                     | 4400  | 6.800       |
| 6415 ZZ  | 80415  | 75              | 190 | 45  | 153000                | 114000               | 3700                     | 4400  | 6.800       |
| 6415 2RS | 180415 | 75              | 190 | 45  | 153000                | 114000               | 2300                     | -     | 6.800       |
| 6416     | 416    | 80              | 200 | 48  | 162000                | 125000               | 3600                     | 4200  | 6.422       |
| 6416 ZZ  | 80416  | 80              | 200 | 48  | 162000                | 125000               | 3600                     | 4200  | 6.422       |
| 6416 2RS | 180416 | 80              | 200 | 48  | 162000                | 125000               | 2100                     | -     | 6.422       |
| 6417     | 417    | 85              | 210 | 52  | 174000                | 137000               | 3400                     | 4000  | 9.500       |
| 6417 ZZ  | 80417  | 85              | 210 | 52  | 174000                | 137000               | 3400                     | 4000  | 9.500       |
| 6417 2RS | 180417 | 85              | 210 | 52  | 174000                | 137000               | 1800                     | -     | 9.500       |
| 6418     | 418    | 90              | 225 | 54  | 186000                | 150000               | 3200                     | 3800  | 9.560       |
| 6418 ZZ  | 80418  | 90              | 225 | 54  | 186000                | 150000               | 3200                     | 3800  | 9.560       |
| 6418 2RS | 180418 | 90              | 225 | 54  | 186000                | 150000               | 1400                     | -     | 9.560       |

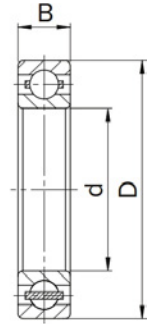
| ISO       | GOST   | Dimensions (mm) |     |    | Basic Load Rating (N) |                      | Limiting speed ( r/min ) |      | Weight (kg) |
|-----------|--------|-----------------|-----|----|-----------------------|----------------------|--------------------------|------|-------------|
|           |        | d               | D   | B  | Dyn. C                | Stat. C <sub>0</sub> | Lubrication              |      |             |
|           |        |                 |     |    |                       |                      | Grease                   | Oil  |             |
| 6419      | 419    | 95              | 240 | 55 | 188000                | 153000               | 3000                     | 3500 | 11.000      |
| 6419 ZZ   | 80419  | 95              | 240 | 55 | 188000                | 153000               | 3000                     | 3500 | 11.000      |
| 6419 2RS  | 180419 | 95              | 240 | 55 | 188000                | 153000               | 1100                     | -    | 11.000      |
| 6420      | 420    | 100             | 250 | 58 | 206000                | 175000               | 2900                     | 3400 | 12.900      |
| 6420 ZZ   | 80420  | 100             | 250 | 58 | 206000                | 175000               | 2900                     | 3400 | 12.900      |
| 6420 2RS  | 180420 | 100             | 250 | 58 | 206000                | 175000               | 900                      | -    | 12.900      |
| 6421      | 421    | 105             | 260 | 60 | 222000                | 179000               | 2700                     | 3200 | 16.800      |
| 6422      | 422    | 110             | 280 | 65 | 247000                | 227000               | 2600                     | 3000 | 21.300      |
| 6424      | 424    | 120             | 310 | 72 | 291000                | 287000               | 2300                     | 2800 | 29.000      |
| 6426      | 426    | 130             | 340 | 78 | 300000                | 298000               | 2200                     | 2500 | 38.000      |
| 62200 2RS | 180500 | 10              | 30  | 14 | 5100                  | 2400                 | 17000                    | -    | 0.045       |
| 62201 2RS | 180501 | 12              | 32  | 14 | 6900                  | 3100                 | 15000                    | -    | 0.048       |
| 62202 2RS | 180502 | 15              | 35  | 14 | 7800                  | 3750                 | 13000                    | -    | 0.054       |
| 62203 2RS | 180503 | 17              | 40  | 16 | 9500                  | 4750                 | 12000                    | -    | 0.083       |
| 62204 2RS | 180504 | 20              | 47  | 18 | 12700                 | 6550                 | 10000                    | -    | 0.130       |
| 62205 2RS | 180505 | 25              | 52  | 18 | 14000                 | 7800                 | 8500                     | -    | 0.150       |
| 62206 2RS | 180506 | 30              | 62  | 20 | 16500                 | 11200                | 7500                     | -    | 0.243       |
| 62207 2RS | 180507 | 35              | 72  | 23 | 25500                 | 15300                | 6300                     | -    | 0.388       |
| 62208 2RS | 180508 | 40              | 80  | 23 | 30700                 | 19000                | 5600                     | -    | 0.471       |
| 62209 2RS | 180509 | 45              | 85  | 23 | 33200                 | 21600                | 5000                     | -    | 0.523       |
| 62210 2RS | 180510 | 50              | 90  | 23 | 35100                 | 23200                | 4800                     | -    | 0.550       |
| 62211 2RS | 180511 | 55              | 100 | 25 | 43600                 | 29000                | 4300                     | -    | 0.700       |
| 62212 2RS | 180512 | 60              | 110 | 28 | 47500                 | 32500                | 4000                     | -    | 0.970       |
| 62213 2RS | 180513 | 65              | 120 | 31 | 55900                 | 40500                | 3600                     | -    | 1.250       |
| 62214 2RS | 180514 | 70              | 125 | 31 | 60500                 | 45000                | 3400                     | -    | 1.300       |
| 62300 2RS | 180600 | 10              | 35  | 17 | 8000                  | 3400                 | 15000                    | -    | 0.060       |
| 62301 2RS | 180601 | 12              | 37  | 17 | 9750                  | 4150                 | 14000                    | -    | 0.070       |
| 62302 2RS | 180602 | 15              | 42  | 17 | 11400                 | 5400                 | 12000                    | -    | 0.110       |
| 62303 2RS | 180603 | 17              | 47  | 19 | 13500                 | 6550                 | 11000                    | -    | 0.150       |
| 62304 2RS | 180604 | 20              | 52  | 21 | 15900                 | 7800                 | 9500                     | -    | 0.207       |
| 62305 2RS | 180605 | 25              | 62  | 24 | 22500                 | 11600                | 7500                     | -    | 0.326       |
| 62306 2RS | 180606 | 30              | 72  | 27 | 28100                 | 16000                | 6300                     | -    | 0.493       |
| 62307 2RS | 180607 | 35              | 80  | 31 | 33200                 | 19000                | 6000                     | -    | 0.680       |
| 62308 2RS | 180608 | 40              | 90  | 33 | 41000                 | 24000                | 5000                     | -    | 0.890       |
| 62309 2RS | 180609 | 45              | 100 | 36 | 52700                 | 31500                | 4500                     | -    | 1.190       |
| 62310 2RS | 180610 | 50              | 110 | 40 | 61800                 | 38000                | 4300                     | -    | 1.500       |
| 62311 2RS | 180611 | 55              | 120 | 43 | 71500                 | 45000                | 3800                     | -    | 1.950       |
| 62312 2RS | 180612 | 60              | 130 | 46 | 81900                 | 52000                | 3400                     | -    | 2.500       |
| 62313 2RS | 180613 | 65              | 140 | 48 | 92300                 | 60000                | 3200                     | -    | 3.000       |
| 62314 2RS | 180614 | 70              | 150 | 51 | 104000                | 68000                | 3000                     | -    | 3.550       |



2RS



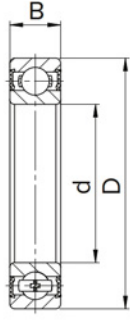
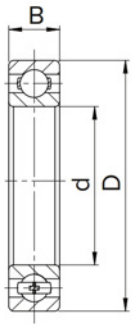
ZZ



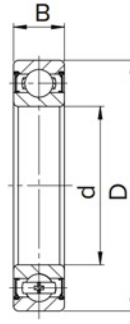
M

| ISO       | GOST        | Dimensions (mm) |     |    | Basic Load Rating (N) |                      | Limiting speed ( r/min ) |       | Weight (kg) |
|-----------|-------------|-----------------|-----|----|-----------------------|----------------------|--------------------------|-------|-------------|
|           |             |                 |     |    |                       |                      | Lubrication              |       |             |
|           |             | d               | D   | B  | Dyn. C                | Stat. C <sub>0</sub> | Grease                   | Oil   |             |
| 16001     | 7000101     | 12              | 28  | 7  | 5100                  | 2390                 | 26000                    | 30000 | 0.022       |
| 16001 ZZ  | 7000101 ZZ  | 12              | 28  | 7  | 5100                  | 2390                 | 26000                    | 30000 | 0.022       |
| 16001 2RS | 7000101 2RS | 12              | 28  | 7  | 5100                  | 2390                 | 26000                    | -     | 0.022       |
| 16002     | 7000102     | 15              | 32  | 8  | 5590                  | 2850                 | 22000                    | 26000 | 0.025       |
| 16002 ZZ  | 7000102 ZZ  | 15              | 32  | 8  | 5590                  | 2850                 | 22000                    | 26000 | 0.025       |
| 16002 2RS | 7000102 2RS | 15              | 32  | 8  | 5590                  | 2850                 | 22000                    | -     | 0.025       |
| 16003     | 7000103     | 17              | 35  | 8  | 6050                  | 3250                 | 20000                    | 24000 | 0.032       |
| 16003 ZZ  | 7000103 ZZ  | 17              | 35  | 8  | 6050                  | 3250                 | 20000                    | 24000 | 0.032       |
| 16003 2RS | 7000103 2RS | 17              | 35  | 8  | 6050                  | 3250                 | 20000                    | -     | 0.032       |
| 16004     | 7000104     | 20              | 42  | 8  | 6890                  | 4500                 | 18000                    | 21000 | 0.050       |
| 16004 ZZ  | 7000104 ZZ  | 20              | 42  | 8  | 6890                  | 4500                 | 18000                    | 21000 | 0.050       |
| 16004 2RS | 7000104 2RS | 20              | 42  | 8  | 6890                  | 4500                 | 18000                    | -     | 0.050       |
| 16005     | 7000105     | 25              | 47  | 8  | 7610                  | 4750                 | 15000                    | 18000 | 0.060       |
| 16005 ZZ  | 7000105 ZZ  | 25              | 47  | 8  | 7610                  | 4750                 | 15000                    | 18000 | 0.060       |
| 16005 2RS | 7000105 2RS | 25              | 47  | 8  | 7610                  | 4750                 | 15000                    | -     | 0.060       |
| 16006     | 7000106     | 30              | 55  | 9  | 11200                 | 7350                 | 13000                    | 15000 | 0.085       |
| 16006 ZZ  | 7000106 ZZ  | 30              | 55  | 9  | 11200                 | 7350                 | 13000                    | 15000 | 0.085       |
| 16006 2RS | 7000106 2RS | 30              | 55  | 9  | 11200                 | 7350                 | 13000                    | -     | 0.085       |
| 16007     | 7000107     | 35              | 62  | 9  | 12400                 | 8150                 | 12000                    | 14000 | 0.110       |
| 16007 ZZ  | 7000107 ZZ  | 35              | 62  | 9  | 12400                 | 8150                 | 12000                    | 14000 | 0.110       |
| 16007 2RS | 7000107 2RS | 35              | 62  | 9  | 12400                 | 8150                 | 12000                    | -     | 0.110       |
| 16008     | 7000108     | 40              | 68  | 9  | 13300                 | 9150                 | 10000                    | 12000 | 0.130       |
| 16008 ZZ  | 7000108 ZZ  | 40              | 68  | 9  | 13300                 | 9150                 | 10000                    | 12000 | 0.130       |
| 16008 2RS | 7000108 2RS | 40              | 68  | 9  | 13300                 | 9150                 | 10000                    | -     | 0.130       |
| 16009     | 7000109     | 45              | 75  | 10 | 15600                 | 10800                | 9200                     | 11000 | 0.170       |
| 16009 ZZ  | 7000109 ZZ  | 45              | 75  | 10 | 15600                 | 10800                | 9200                     | 11000 | 0.170       |
| 16009 2RS | 7000109 2RS | 45              | 75  | 10 | 15600                 | 10800                | 9200                     | -     | 0.170       |
| 16010     | 7000110     | 50              | 80  | 10 | 16300                 | 11400                | 8400                     | 9800  | 0.180       |
| 16010 ZZ  | 7000110 ZZ  | 50              | 80  | 10 | 16300                 | 11400                | 8400                     | 9800  | 0.180       |
| 16010 2RS | 7000110 2RS | 50              | 80  | 10 | 16300                 | 11400                | 8400                     | -     | 0.180       |
| 16011     | 7000111     | 55              | 90  | 11 | 19500                 | 14000                | 7700                     | 9000  | 0.260       |
| 16011 ZZ  | 7000111 ZZ  | 55              | 90  | 11 | 19500                 | 14000                | 7700                     | 9000  | 0.260       |
| 16011 2RS | 7000111 2RS | 55              | 90  | 11 | 19500                 | 14000                | 7700                     | -     | 0.260       |
| 16012     | 7000112     | 60              | 95  | 11 | 19900                 | 15000                | 7000                     | 8300  | 0.280       |
| 16012 ZZ  | 7000112 ZZ  | 60              | 95  | 11 | 19900                 | 15000                | 7000                     | 8300  | 0.280       |
| 16012 2RS | 7000112 2RS | 60              | 95  | 11 | 19900                 | 15000                | 7000                     | -     | 0.280       |
| 16013     | 7000113     | 65              | 100 | 11 | 21200                 | 16600                | 6500                     | 7700  | 0.300       |
| 16013 ZZ  | 7000113 ZZ  | 65              | 100 | 11 | 21200                 | 16600                | 6500                     | 7700  | 0.300       |
| 16013 2RS | 7000113 2RS | 65              | 100 | 11 | 21200                 | 16600                | 6500                     | -     | 0.300       |
| 16014     | 7000114     | 70              | 110 | 13 | 27800                 | 25000                | 6000                     | 7100  | 0.430       |
| 16014 ZZ  | 7000114 ZZ  | 70              | 110 | 13 | 27800                 | 25000                | 6000                     | 7100  | 0.430       |
| 16014 2RS | 7000114 2RS | 70              | 110 | 13 | 27800                 | 25000                | 6000                     | -     | 0.430       |
| 16015     | 7000115     | 75              | 115 | 13 | 28600                 | 27000                | 5600                     | 6600  | 0.460       |

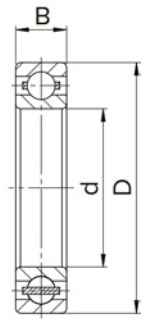
| ISO       | GOST        | Dimensions (mm) |     |    | Basic Load Rating (N) |                      | Limiting speed ( r/min ) |      | Weight (kg) |
|-----------|-------------|-----------------|-----|----|-----------------------|----------------------|--------------------------|------|-------------|
|           |             | d               | D   | B  | Dyn. C                | Stat. C <sub>0</sub> | Lubrication              |      |             |
|           |             |                 |     |    |                       |                      | Grease                   | Oil  |             |
| 16015 ZZ  | 7000115 ZZ  | 75              | 115 | 13 | 28600                 | 27000                | 5600                     | 6600 | 0.460       |
| 16015 2RS | 7000115 2RS | 75              | 115 | 13 | 28600                 | 27000                | 5600                     | -    | 0.460       |
| 16016     | 7000116     | 80              | 125 | 14 | 33200                 | 31500                | 5300                     | 6200 | 0.600       |
| 16016 ZZ  | 7000116 ZZ  | 80              | 125 | 14 | 33200                 | 31500                | 5300                     | 6200 | 0.600       |
| 16016 2RS | 7000116 2RS | 80              | 125 | 14 | 33200                 | 31500                | 5300                     | -    | 0.600       |
| 16017     | 7000117     | 85              | 130 | 14 | 33800                 | 33500                | 5000                     | 5900 | 0.630       |
| 16017 ZZ  | 7000117 ZZ  | 85              | 130 | 14 | 33800                 | 33500                | 5000                     | 5900 | 0.630       |
| 16017 2RS | 7000117 2RS | 85              | 130 | 14 | 33800                 | 33500                | 5000                     | -    | 0.630       |
| 16018     | 7000118     | 90              | 140 | 16 | 33500                 | 33500                | 4700                     | 5600 | 0.850       |
| 16018 ZZ  | 7000118 ZZ  | 90              | 140 | 16 | 33500                 | 33500                | 4700                     | 5600 | 0.850       |
| 16018 2RS | 7000118 2RS | 90              | 140 | 16 | 33500                 | 33500                | 4700                     | -    | 0.850       |
| 16019     | 7000119     | 95              | 145 | 16 | 34500                 | 35000                | 4500                     | 5300 | 0.890       |
| 16019 ZZ  | 7000119 ZZ  | 95              | 145 | 16 | 34500                 | 35000                | 4500                     | 5300 | 0.890       |
| 16019 2RS | 7000119 2RS | 95              | 145 | 16 | 34500                 | 35000                | 4500                     | -    | 0.890       |
| 16020     | 7000120     | 100             | 150 | 16 | 44200                 | 44000                | 4200                     | 5000 | 0.910       |
| 16020 ZZ  | 7000120 ZZ  | 100             | 150 | 16 | 35000                 | 36500                | 4200                     | 5000 | 0.910       |
| 16020 2RS | 7000120 2RS | 100             | 150 | 16 | 35000                 | 36500                | 4200                     | -    | 0.910       |
| 16021     | 7000121     | 105             | 160 | 18 | 52000                 | 51000                | 4000                     | 4700 | 1.200       |
| 16022     | 7000122     | 110             | 170 | 19 | 57200                 | 57000                | 3800                     | 4500 | 1.450       |
| 16024     | 7000124     | 120             | 180 | 19 | 60500                 | 64000                | 3500                     | 4100 | 1.600       |
| 16026     | 7000126     | 130             | 200 | 22 | 79300                 | 81500                | 3200                     | 3800 | 2.350       |
| 16028     | 7000128     | 140             | 210 | 22 | 80600                 | 86500                | 3000                     | 3500 | 2.500       |
| 16030     | 7000130     | 150             | 225 | 24 | 92300                 | 98000                | 2800                     | 3200 | 3.150       |
| 16032     | 7000132     | 160             | 240 | 25 | 99500                 | 108000               | 2600                     | 3000 | 3.700       |
| 16034     | 7000134     | 170             | 260 | 28 | 119000                | 129000               | 2400                     | 2800 | 5.000       |
| 16036     | 7000136     | 180             | 280 | 31 | 138000                | 146000               | 2300                     | 2700 | 6.600       |
| 16038     | 7000138     | 190             | 290 | 31 | 148000                | 166000               | 2100                     | 2500 | 7.900       |
| 16040     | 7000140     | 200             | 310 | 34 | 168000                | 190000               | 2000                     | 2400 | 8.850       |
| 16044     | 7000144     | 220             | 340 | 37 | 174000                | 204000               | 1800                     | 2200 | 11.500      |
| 16048     | 7000148     | 240             | 360 | 37 | 178000                | 217000               | 1700                     | 2000 | 12.100      |
| 16052     | 7000152     | 260             | 400 | 44 | 227000                | 299000               | 1500                     | 1800 | 18.500      |
| 16056     | 7000156     | 280             | 420 | 44 | 232000                | 315000               | 1400                     | 1600 | 23.000      |
| 16060     | 7000160     | 300             | 460 | 50 | 292000                | 410000               | 1300                     | 1500 | 32.500      |
| 16064     | 7000164     | 320             | 480 | 50 | 300000                | 440000               | 1200                     | 1400 | 34.200      |
| 16068     | 7000168     | 340             | 520 | 57 | 340000                | 515000               | 1100                     | 1300 | 47.100      |
| 16072     | 7000172     | 360             | 540 | 57 | 350000                | 550000               | 1100                     | 1200 | 49.300      |
| 16076     | 7000176     | 380             | 560 | 57 | 377000                | 620000               | 950                      | 1200 | 51.000      |
| 16080     | 7000180     | 400             | 600 | 63 | 358000                | 587000               | 890                      | 1080 | 65.000      |
| 16084     | 7000184     | 420             | 620 | 63 | 367000                | 617000               | 810                      | 1000 | 69.900      |
| 16088     | 7000188     | 440             | 650 | 67 | 407000                | 710000               | 730                      | 920  | 81.700      |
| 16092     | 7000192     | 460             | 680 | 71 | 431000                | 767000               | 650                      | 840  | 91.200      |
| 16096     | 7000196     | 480             | 700 | 71 | 444000                | 807000               | 570                      | 760  | 98.500      |



2RS



ZZ



M

| ISO       | GOST        | Dimensions (mm) |    |    | Basic Load Rating (N) |                      | Limiting speed ( r/min ) |       | Weight (kg) |
|-----------|-------------|-----------------|----|----|-----------------------|----------------------|--------------------------|-------|-------------|
|           |             |                 |    |    |                       |                      | Lubrication              |       |             |
|           |             | d               | D  | B  | Dyn. C                | Stat. C <sub>0</sub> | Grease                   | Oil   |             |
| 61800     | 1000800     | 10              | 19 | 5  | 1380                  | 585                  | 32000                    | 38000 | 0.005       |
| 61800 ZZ  | 1000800 ZZ  | 10              | 19 | 5  | 1380                  | 585                  | 32000                    | 38000 | 0.005       |
| 61800 2RS | 1000800 2RS | 10              | 19 | 5  | 1380                  | 585                  | 20000                    | -     | 0.005       |
| 61801     | 1000801     | 12              | 21 | 5  | 1430                  | 670                  | 29000                    | 35000 | 0.006       |
| 61801 ZZ  | 1000801 ZZ  | 12              | 21 | 5  | 1430                  | 670                  | 29000                    | 35000 | 0.006       |
| 61801 2RS | 1000801 2RS | 12              | 21 | 5  | 1430                  | 670                  | 19000                    | -     | 0.006       |
| 61802     | 1000802     | 15              | 24 | 5  | 1560                  | 800                  | 26000                    | 31000 | 0.007       |
| 61802 ZZ  | 1000802 ZZ  | 15              | 24 | 5  | 1560                  | 800                  | 26000                    | 31000 | 0.007       |
| 61802 2RS | 1000802 2RS | 15              | 24 | 5  | 1560                  | 800                  | 17000                    | -     | 0.007       |
| 61803     | 1000803     | 17              | 26 | 5  | 1680                  | 930                  | 24000                    | 28000 | 0.008       |
| 61803 ZZ  | 1000803 ZZ  | 17              | 26 | 5  | 1680                  | 930                  | 24000                    | 28000 | 0.008       |
| 61803 2RS | 1000803 2RS | 17              | 26 | 5  | 1680                  | 930                  | 16000                    | -     | 0.008       |
| 61804     | 1000804     | 20              | 32 | 7  | 2700                  | 1500                 | 21000                    | 25000 | 0.018       |
| 61804 ZZ  | 1000804 ZZ  | 20              | 32 | 7  | 2700                  | 1500                 | 21000                    | 25000 | 0.018       |
| 61804 2RS | 1000804 2RS | 20              | 32 | 7  | 2700                  | 1500                 | 13000                    | -     | 0.018       |
| 61805     | 1000805     | 25              | 37 | 7  | 4360                  | 2600                 | 18000                    | 21000 | 0.022       |
| 61805 ZZ  | 1000805 ZZ  | 25              | 37 | 7  | 4360                  | 2600                 | 18000                    | 21000 | 0.022       |
| 61805 2RS | 1000805 2RS | 25              | 37 | 7  | 4360                  | 2600                 | 11000                    | -     | 0.022       |
| 61806     | 1000806     | 30              | 42 | 7  | 4490                  | 2900                 | 15000                    | 18000 | 0.027       |
| 61806 ZZ  | 1000806 ZZ  | 30              | 42 | 7  | 4490                  | 2900                 | 15000                    | 18000 | 0.027       |
| 61806 2RS | 1000806 2RS | 30              | 42 | 7  | 4490                  | 2900                 | 9500                     | -     | 0.027       |
| 61807     | 1000807     | 35              | 47 | 7  | 4750                  | 3200                 | 13000                    | 16000 | 0.030       |
| 61807 ZZ  | 1000807 ZZ  | 35              | 47 | 7  | 4750                  | 3200                 | 13000                    | 16000 | 0.030       |
| 61807 2RS | 1000807 2RS | 35              | 47 | 7  | 4750                  | 3200                 | 8000                     | -     | 0.030       |
| 61808     | 1000808     | 40              | 52 | 7  | 4940                  | 3450                 | 12000                    | 14000 | 0.034       |
| 61808 ZZ  | 1000808 ZZ  | 40              | 52 | 7  | 4940                  | 3450                 | 12000                    | 14000 | 0.034       |
| 61808 2RS | 1000808 2RS | 40              | 52 | 7  | 4940                  | 3450                 | 7500                     | -     | 0.034       |
| 61809     | 1000809     | 45              | 58 | 7  | 6050                  | 4300                 | 11000                    | 12000 | 0.040       |
| 61809 ZZ  | 1000809 ZZ  | 45              | 58 | 7  | 6050                  | 4300                 | 11000                    | 12000 | 0.040       |
| 61809 2RS | 1000809 2RS | 45              | 58 | 7  | 6050                  | 4300                 | 6700                     | -     | 0.040       |
| 61810     | 1000810     | 50              | 65 | 7  | 6240                  | 4750                 | 9600                     | 11000 | 0.052       |
| 61810 ZZ  | 1000810 ZZ  | 50              | 65 | 7  | 6240                  | 4750                 | 9600                     | 11000 | 0.052       |
| 61810 2RS | 1000810 2RS | 50              | 65 | 7  | 6240                  | 4750                 | 6000                     | -     | 0.052       |
| 61811     | 1000811     | 55              | 72 | 9  | 8320                  | 6200                 | 8700                     | 10000 | 0.083       |
| 61811 ZZ  | 1000811 ZZ  | 55              | 72 | 9  | 8320                  | 6200                 | 8700                     | 10000 | 0.083       |
| 61811 2RS | 1000811 2RS | 55              | 72 | 9  | 8320                  | 6200                 | 5300                     | -     | 0.083       |
| 61812     | 1000812     | 60              | 78 | 10 | 8710                  | 6700                 | 8000                     | 9400  | 0.110       |
| 61812 ZZ  | 1000812 ZZ  | 60              | 78 | 10 | 8710                  | 6700                 | 8000                     | 9400  | 0.110       |
| 61812 2RS | 1000812 2RS | 60              | 78 | 10 | 8710                  | 6700                 | 4800                     | -     | 0.110       |
| 61813     | 1000813     | 65              | 85 | 10 | 12000                 | 11500                | 7400                     | 8700  | 0.130       |
| 61813 ZZ  | 1000813 ZZ  | 65              | 85 | 10 | 12000                 | 11500                | 7400                     | 8700  | 0.130       |
| 61813 2RS | 1000813 2RS | 65              | 85 | 10 | 12000                 | 11500                | 4500                     | -     | 0.130       |
| 61814     | 1000814     | 70              | 90 | 10 | 12100                 | 11900                | 6900                     | 8100  | 0.140       |

| ISO       | GOST        | Dimensions (mm) |     |    | Basic Load Rating (N) |                      | Limiting speed ( r/min ) |      | Weight (kg) |
|-----------|-------------|-----------------|-----|----|-----------------------|----------------------|--------------------------|------|-------------|
|           |             | d               | D   | B  | Dyn. C                | Stat. C <sub>0</sub> | Lubrication              |      |             |
|           |             |                 |     |    |                       |                      | Grease                   | Oil  |             |
| 61814 ZZ  | 1000814 ZZ  | 70              | 90  | 10 | 12100                 | 11900                | 6900                     | 8100 | 0.140       |
| 61814 2RS | 1000814 2RS | 70              | 90  | 10 | 12100                 | 11900                | 4300                     | -    | 0.140       |
| 61815     | 1000815     | 75              | 95  | 10 | 12500                 | 10800                | 6400                     | 7600 | 0.150       |
| 61815 ZZ  | 1000815 ZZ  | 75              | 95  | 10 | 12500                 | 10800                | 6400                     | 7600 | 0.150       |
| 61815 2RS | 1000815 2RS | 75              | 95  | 10 | 12500                 | 10800                | 4000                     | -    | 0.150       |
| 61816     | 1000816     | 80              | 100 | 10 | 13300                 | 12400                | 6000                     | 7100 | 0.155       |
| 61816 ZZ  | 1000816 ZZ  | 80              | 100 | 10 | 13300                 | 12400                | 6000                     | 7100 | 0.155       |
| 61816 2RS | 1000816 2RS | 80              | 100 | 10 | 13300                 | 12400                | 3600                     | -    | 0.155       |
| 61817     | 1000817     | 85              | 110 | 13 | 19500                 | 16600                | 5700                     | 6700 | 0.270       |
| 61817 ZZ  | 1000817 ZZ  | 85              | 110 | 13 | 19500                 | 16600                | 5700                     | 6700 | 0.270       |
| 61817 2RS | 1000817 2RS | 85              | 110 | 13 | 19500                 | 16600                | 3400                     | -    | 0.270       |
| 61818     | 1000818     | 90              | 115 | 13 | 19900                 | 17000                | 5400                     | 6300 | 0.280       |
| 61818 ZZ  | 1000818 ZZ  | 90              | 115 | 13 | 19900                 | 17000                | 5400                     | 6300 | 0.280       |
| 61818 2RS | 1000818 2RS | 90              | 115 | 13 | 19900                 | 17000                | 3200                     | -    | 0.280       |
| 61819     | 1000819     | 95              | 120 | 13 | 19900                 | 17600                | 5000                     | 5900 | 0.300       |
| 61819 ZZ  | 1000819 ZZ  | 95              | 120 | 13 | 19900                 | 17600                | 5000                     | 5900 | 0.300       |
| 61819 2RS | 1000819 2RS | 95              | 120 | 13 | 19900                 | 17600                | 3000                     | -    | 0.300       |
| 61820     | 1000820     | 100             | 125 | 13 | 19900                 | 18300                | 4800                     | 5600 | 0.310       |
| 61820 ZZ  | 1000820 ZZ  | 100             | 125 | 13 | 19900                 | 18300                | 4800                     | 5600 | 0.310       |
| 61820 2RS | 1000820 2RS | 100             | 125 | 13 | 19900                 | 18300                | 3000                     | -    | 0.310       |
| 61821     | 1000821     | 105             | 130 | 13 | 20800                 | 19600                | 4600                     | 5400 | 0.320       |
| 61821 ZZ  | 1000821 ZZ  | 105             | 130 | 13 | 20800                 | 19600                | 4600                     | 5400 | 0.320       |
| 61821 2RS | 1000821 2RS | 105             | 130 | 13 | 20800                 | 19600                | 2800                     | -    | 0.320       |
| 61822     | 1000822     | 110             | 140 | 16 | 28100                 | 30700                | 4300                     | 5100 | 0.600       |
| 61822 ZZ  | 1000822 ZZ  | 110             | 140 | 16 | 28100                 | 30700                | 4300                     | 5100 | 0.600       |
| 61822 2RS | 1000822 2RS | 110             | 140 | 16 | 28100                 | 30700                | 2600                     | -    | 0.600       |
| 61824     | 1000824     | 120             | 150 | 16 | 29000                 | 33000                | 4000                     | 4700 | 0.650       |
| 61824 ZZ  | 1000824 ZZ  | 120             | 150 | 16 | 29000                 | 33000                | 4000                     | 4700 | 0.650       |
| 61824 2RS | 1000824 2RS | 120             | 150 | 16 | 29000                 | 33000                | 2400                     | -    | 0.650       |
| 61826     | 1000826     | 130             | 165 | 18 | 39000                 | 43000                | 3700                     | 4300 | 0.930       |
| 61826 ZZ  | 1000826 ZZ  | 130             | 165 | 18 | 39000                 | 43000                | 3700                     | 4300 | 0.930       |
| 61826 2RS | 1000826 2RS | 130             | 165 | 18 | 39000                 | 43000                | 2200                     | -    | 0.930       |
| 61828     | 1000828     | 140             | 175 | 18 | 40500                 | 46500                | 3400                     | 4000 | 0.990       |
| 61828 ZZ  | 1000828 ZZ  | 140             | 175 | 18 | 40500                 | 46500                | 3400                     | 4000 | 0.990       |
| 61828 2RS | 1000828 2RS | 140             | 175 | 18 | 40500                 | 46500                | 2000                     | -    | 0.990       |
| 61830     | 1000830     | 150             | 190 | 20 | 47500                 | 54500                | 3100                     | 3700 | 1.200       |
| 61830 ZZ  | 1000830 ZZ  | 150             | 190 | 20 | 47500                 | 54500                | 3100                     | 3700 | 1.200       |
| 61832     | 1000832     | 160             | 200 | 20 | 49400                 | 64000                | 2900                     | 3400 | 1.300       |
| 61832 ZZ  | 1000832 ZZ  | 160             | 200 | 20 | 49400                 | 64000                | 2900                     | 3400 | 1.300       |
| 61834     | 1000834     | 170             | 215 | 22 | 61800                 | 78000                | 2700                     | 3200 | 1.850       |
| 61834 ZZ  | 1000834 ZZ  | 170             | 215 | 22 | 61800                 | 78000                | 2700                     | 3200 | 1.850       |
| 61836     | 1000836     | 180             | 225 | 22 | 62400                 | 81500                | 2600                     | 3000 | 2.000       |
| 61836 ZZ  | 1000836 ZZ  | 180             | 225 | 22 | 62400                 | 81500                | 2600                     | 3000 | 2.000       |
| 61838     | 1000838     | 190             | 240 | 24 | 73000                 | 88000                | 2400                     | 2900 | 2.620       |
| 61838 ZZ  | 1000838 ZZ  | 190             | 240 | 24 | 73000                 | 88000                | 2400                     | 2900 | 2.620       |
| 61840     | 1000840     | 200             | 250 | 24 | 76100                 | 102000               | 2300                     | 2700 | 2.700       |
| 61844     | 1000844     | 220             | 270 | 24 | 78000                 | 110000               | 2100                     | 2400 | 3.000       |
| 61848     | 1000848     | 240             | 300 | 28 | 98500                 | 127000               | 1900                     | 2200 | 4.600       |
| 61852     | 1000852     | 260             | 320 | 28 | 11000                 | 163000               | 1700                     | 2000 | 4.800       |
| 61856     | 1000856     | 280             | 350 | 33 | 138000                | 200000               | 1600                     | 1900 | 7.400       |
| 61860     | 1000860     | 300             | 380 | 38 | 162000                | 210000               | 1500                     | 1700 | 10.500      |
| 61864     | 1000864     | 320             | 400 | 38 | 168000                | 228000               | 1400                     | 1600 | 10.900      |
| 61868     | 1000868     | 340             | 420 | 38 | 170000                | 236000               | 1300                     | 1500 | 11.500      |
| 61872     | 1000872     | 360             | 440 | 38 | 187000                | 258000               | 1200                     | 1400 | 12.300      |
| 61876     | 1000876     | 380             | 480 | 46 | 231000                | 340000               | 1100                     | 1300 | 19.700      |
| 61880     | 1000880     | 400             | 500 | 46 | 235000                | 350000               | 1100                     | 1200 | 20.600      |

| ISO       | GOST        | Dimensions (mm) |     |    | Basic Load Rating (N) |                      | Limiting speed ( r/min ) |       | Weight (kg) |
|-----------|-------------|-----------------|-----|----|-----------------------|----------------------|--------------------------|-------|-------------|
|           |             | d               | D   | B  | Dyn. C                | Stat. C <sub>0</sub> | Lubrication              |       |             |
|           |             |                 |     |    |                       |                      | Grease                   | Oil   |             |
| 61884     | 1000884     | 420             | 520 | 46 | 260000                | 405000               | 1000                     | 1200  | 21.600      |
| 61888     | 1000888     | 440             | 540 | 46 | 264000                | 420000               | 880                      | 1000  | 22.500      |
| 61892     | 1000892     | 460             | 580 | 56 | 315000                | 515000               | 900                      | 1100  | 34.800      |
| 61896     | 1000896     | 480             | 600 | 56 | 325000                | 600000               | 850                      | 1000  | 36.500      |
| 61900     | 1000900     | 10              | 22  | 6  | 1950                  | 750                  | 30000                    | 36000 | 0.010       |
| 61900 ZZ  | 1000900 ZZ  | 10              | 22  | 6  | 1950                  | 750                  | 30000                    | 36000 | 0.010       |
| 61900 2RS | 1000900 2RS | 10              | 22  | 6  | 1950                  | 750                  | 19000                    | -     | 0.010       |
| 61901     | 1000901     | 12              | 24  | 6  | 2250                  | 980                  | 27000                    | 32000 | 0.011       |
| 61901 ZZ  | 1000901 ZZ  | 12              | 24  | 6  | 2250                  | 980                  | 27000                    | 32000 | 0.011       |
| 61901 2RS | 1000901 2RS | 12              | 24  | 6  | 2250                  | 980                  | 18000                    | -     | 0.011       |
| 61902     | 1000902     | 15              | 28  | 7  | 4030                  | 2040                 | 24000                    | 28000 | 0.016       |
| 61902 ZZ  | 1000902 ZZ  | 15              | 28  | 7  | 4030                  | 2040                 | 24000                    | 28000 | 0.016       |
| 61902 2RS | 1000902 2RS | 15              | 28  | 7  | 4030                  | 2040                 | 16000                    | -     | 0.016       |
| 61903     | 1000903     | 17              | 30  | 7  | 4360                  | 2320                 | 22000                    | 26000 | 0.018       |
| 61903 ZZ  | 1000903 ZZ  | 17              | 30  | 7  | 4360                  | 2320                 | 22000                    | 26000 | 0.018       |
| 61903 2RS | 1000903 2RS | 17              | 30  | 7  | 4360                  | 2320                 | 14000                    | -     | 0.018       |
| 61904     | 1000904     | 20              | 37  | 9  | 6370                  | 3650                 | 19000                    | 23000 | 0.038       |
| 61904 ZZ  | 1000904 ZZ  | 20              | 37  | 9  | 6370                  | 3650                 | 19000                    | 23000 | 0.038       |
| 61904 2RS | 1000904 2RS | 20              | 37  | 9  | 6370                  | 3650                 | 12000                    | -     | 0.038       |
| 61905     | 1000905     | 25              | 42  | 9  | 6630                  | 4000                 | 16000                    | 19000 | 0.045       |
| 61905 ZZ  | 1000905 ZZ  | 25              | 42  | 9  | 6630                  | 4000                 | 16000                    | 19000 | 0.045       |
| 61905 2RS | 1000905 2RS | 25              | 42  | 9  | 6630                  | 4000                 | 10000                    | -     | 0.045       |
| 61906     | 1000906     | 30              | 47  | 9  | 7280                  | 4550                 | 14000                    | 17000 | 0.051       |
| 61906 ZZ  | 1000906 ZZ  | 30              | 47  | 9  | 7280                  | 4550                 | 14000                    | 17000 | 0.051       |
| 61906 2RS | 1000906 2RS | 30              | 47  | 9  | 7280                  | 4550                 | 8500                     | -     | 0.051       |
| 61907     | 1000907     | 35              | 55  | 10 | 9560                  | 6200                 | 12000                    | 15000 | 0.080       |
| 61907 ZZ  | 1000907 ZZ  | 35              | 55  | 10 | 9560                  | 6200                 | 12000                    | 15000 | 0.080       |
| 61907 2RS | 1000907 2RS | 35              | 55  | 10 | 9560                  | 6200                 | 7500                     | -     | 0.080       |
| 61908     | 1000908     | 40              | 62  | 12 | 13800                 | 9300                 | 11000                    | 13000 | 0.110       |
| 61908 ZZ  | 1000908 ZZ  | 40              | 62  | 12 | 13800                 | 9300                 | 11000                    | 13000 | 0.110       |
| 61908 2RS | 1000908 2RS | 40              | 62  | 12 | 13800                 | 9300                 | 6700                     | -     | 0.110       |
| 61909     | 1000909     | 45              | 68  | 12 | 10100                 | 6700                 | 9800                     | 12000 | 0.140       |
| 61909 ZZ  | 1000909 ZZ  | 45              | 68  | 12 | 10100                 | 6700                 | 9800                     | 12000 | 0.140       |
| 61909 2RS | 1000909 2RS | 45              | 68  | 12 | 10100                 | 6700                 | 6000                     | -     | 0.140       |
| 61910     | 1000910     | 50              | 72  | 12 | 14600                 | 10400                | 8900                     | 11000 | 0.140       |
| 61910 ZZ  | 1000910 ZZ  | 50              | 72  | 12 | 14600                 | 10400                | 8900                     | 11000 | 0.140       |
| 61910 2RS | 1000910 2RS | 50              | 72  | 12 | 14600                 | 10400                | 5600                     | -     | 0.140       |
| 61911     | 1000911     | 55              | 80  | 13 | 15900                 | 11400                | 8200                     | 9600  | 0.190       |
| 61911 ZZ  | 1000911 ZZ  | 55              | 80  | 13 | 15900                 | 11400                | 8200                     | 9600  | 0.190       |
| 61911 2RS | 1000911 2RS | 55              | 80  | 13 | 15900                 | 11400                | 5000                     | -     | 0.190       |
| 61912     | 1000912     | 60              | 85  | 13 | 16500                 | 12000                | 7600                     | 8900  | 0.200       |
| 61912 ZZ  | 1000912 ZZ  | 60              | 85  | 13 | 16500                 | 12000                | 7600                     | 8900  | 0.200       |
| 61912 2RS | 1000912 2RS | 60              | 85  | 13 | 16500                 | 12000                | 4500                     | -     | 0.200       |
| 61913     | 1000913     | 65              | 90  | 13 | 17400                 | 13400                | 7000                     | 8200  | 0.220       |
| 61913 ZZ  | 1000913 ZZ  | 65              | 90  | 13 | 17400                 | 13400                | 7000                     | 8200  | 0.220       |
| 61913 2RS | 1000913 2RS | 65              | 90  | 13 | 17400                 | 13400                | 4300                     | -     | 0.220       |
| 61914     | 1000914     | 70              | 100 | 16 | 23800                 | 18300                | 6500                     | 7700  | 0.350       |
| 61914 ZZ  | 1000914 ZZ  | 70              | 100 | 16 | 23800                 | 18300                | 6500                     | 7700  | 0.350       |
| 61914 2RS | 1000914 2RS | 70              | 100 | 16 | 23800                 | 18300                | 4000                     | -     | 0.350       |
| 61915     | 1000915     | 75              | 105 | 16 | 24200                 | 19300                | 6100                     | 7200  | 0.370       |
| 61915 ZZ  | 1000915 ZZ  | 75              | 105 | 16 | 24200                 | 19300                | 6100                     | 7200  | 0.370       |
| 61915 2RS | 1000915 2RS | 75              | 105 | 16 | 24200                 | 19300                | 3600                     | -     | 0.370       |
| 61916     | 1000916     | 80              | 110 | 16 | 25100                 | 20400                | 5700                     | 6700  | 0.400       |
| 61916 ZZ  | 1000916 ZZ  | 80              | 110 | 16 | 25100                 | 20400                | 5700                     | 6700  | 0.400       |
| 61916 2RS | 1000916 2RS | 80              | 110 | 16 | 25100                 | 20400                | 3400                     | -     | 0.400       |
| 61917     | 1000917     | 85              | 120 | 18 | 32000                 | 29600                | 5400                     | 6300  | 0.517       |
| 61917 ZZ  | 1000917 ZZ  | 85              | 120 | 18 | 32000                 | 29600                | 5400                     | 6300  | 0.517       |
| 61917 2RS | 1000917 2RS | 85              | 120 | 18 | 32000                 | 29600                | 2800                     | -     | 0.517       |
| 61918     | 1000918     | 90              | 125 | 18 | 33000                 | 31500                | 5100                     | 6000  | 0.590       |

| ISO       | GOST        | Dimensions (mm) |     |    | Basic Load Rating (N) |                      | Limiting speed ( r/min ) |      | Weight (kg) |
|-----------|-------------|-----------------|-----|----|-----------------------|----------------------|--------------------------|------|-------------|
|           |             | d               | D   | B  | Dyn. C                | Stat. C <sub>0</sub> | Lubrication              |      |             |
|           |             |                 |     |    |                       |                      | Grease                   | Oil  |             |
| 61918 ZZ  | 1000918 ZZ  | 90              | 125 | 18 | 33000                 | 31500                | 5100                     | 6000 | 0.590       |
| 61918 2RS | 1000918 2RS | 90              | 125 | 18 | 33000                 | 31500                | 2400                     | -    | 0.590       |
| 61919     | 1000919     | 95              | 130 | 18 | 33500                 | 33500                | 4800                     | 5700 | 0.680       |
| 61919 ZZ  | 1000919 ZZ  | 95              | 130 | 18 | 33500                 | 33500                | 4800                     | 5700 | 0.680       |
| 61920     | 1000920     | 100             | 140 | 20 | 42300                 | 41500                | 4500                     | 5300 | 0.830       |
| 61920 ZZ  | 1000920 ZZ  | 100             | 140 | 20 | 42300                 | 41500                | 4500                     | 5300 | 0.830       |
| 61922     | 1000920     | 110             | 150 | 20 | 43600                 | 44500                | 4100                     | 4800 | 0.900       |
| 61922 ZZ  | 1000920 ZZ  | 110             | 150 | 20 | 43600                 | 44500                | 4100                     | 4800 | 0.900       |
| 61924     | 1000924     | 120             | 165 | 22 | 53000                 | 57000                | 3800                     | 4400 | 1.200       |
| 61924 ZZ  | 1000924 ZZ  | 120             | 165 | 22 | 53000                 | 57000                | 3800                     | 4400 | 1.129       |
| 61926     | 1000926     | 130             | 180 | 24 | 65000                 | 67000                | 3500                     | 4100 | 1.600       |
| 61926 ZZ  | 1000926 ZZ  | 130             | 180 | 24 | 65000                 | 67000                | 3500                     | 4100 | 1.780       |
| 61928     | 1000928     | 140             | 190 | 24 | 66300                 | 71000                | 3200                     | 3800 | 1.700       |
| 61928 ZZ  | 1000928 ZZ  | 140             | 190 | 24 | 66300                 | 71000                | 3200                     | 3800 | 1.900       |
| 61930     | 1000930     | 150             | 210 | 28 | 85000                 | 90500                | 3000                     | 3500 | 2.470       |
| 61930 ZZ  | 1000930 ZZ  | 150             | 210 | 28 | 85000                 | 90500                | 3000                     | 3500 | 2.640       |
| 61932     | 1000932     | 160             | 220 | 28 | 87000                 | 96000                | 2800                     | 3300 | 2.610       |
| 61934     | 1000934     | 170             | 230 | 28 | 86000                 | 95500                | 2600                     | 3100 | 2.740       |
| 61936     | 1000936     | 180             | 250 | 33 | 110000                | 119000               | 2400                     | 2900 | 4.760       |
| 61940     | 1000940     | 200             | 280 | 38 | 148000                | 166000               | 2200                     | 2600 | 7.400       |
| 61944     | 1000944     | 220             | 300 | 38 | 151000                | 180000               | 2000                     | 2300 | 8.000       |
| 61948     | 1000948     | 240             | 320 | 38 | 170000                | 203000               | 1800                     | 2100 | 8.280       |
| 61952     | 1000952     | 260             | 360 | 46 | 212000                | 270000               | 1600                     | 1900 | 14.500      |
| 61956     | 1000956     | 280             | 380 | 46 | 216000                | 285000               | 1500                     | 1800 | 15.500      |
| 61960     | 1000960     | 300             | 420 | 56 | 276000                | 375000               | 1400                     | 1600 | 23.500      |
| 61964     | 1000964     | 320             | 440 | 56 | 285000                | 405000               | 1300                     | 1500 | 24.800      |
| 61968     | 1000968     | 340             | 460 | 56 | 293000                | 430000               | 1200                     | 1400 | 26.200      |
| 61972     | 1000972     | 360             | 480 | 56 | 300000                | 455000               | 1100                     | 1300 | 27.500      |
| 61976     | 1000976     | 380             | 520 | 65 | 325000                | 510000               | 1100                     | 1200 | 39.800      |
| 61980     | 1000980     | 400             | 540 | 65 | 335000                | 535000               | 990                      | 1200 | 41.600      |
| 61984     | 1000984     | 420             | 560 | 65 | 340000                | 560000               | 940                      | 1100 | 43.400      |
| 61988     | 1000988     | 440             | 600 | 74 | 365000                | 615000               | 890                      | 1000 | 60.000      |
| 61992     | 1000992     | 460             | 620 | 74 | 375000                | 645000               | 850                      | 1000 | 62.200      |
| 61996     | 1000996     | 480             | 650 | 78 | 430000                | 770000               | 810                      | 950  | 73.000      |





| Subject    | Symbol | Description   |
|------------|--------|---|
| Seal type  | ZZ     | Metal shields on both sides.                              |
|            | 2RS    | Rubber seals on both sides.                               |
|            | Z      | Metal shield on one side.                                 |
|            | RS     | Rubber seal on one side.                                  |
| Tolerances | P0     | Normal tolerance level. . Is not indicated as a standard. |
|            | P6     | Greater tolerance level than P0.                          |
|            | P5     | Greater tolerance level than P6.                          |

### Features

Miniature and small bearings are used for extremely high speeds. These bearings offer a low level of noise, vibration, and frictional torque performance.

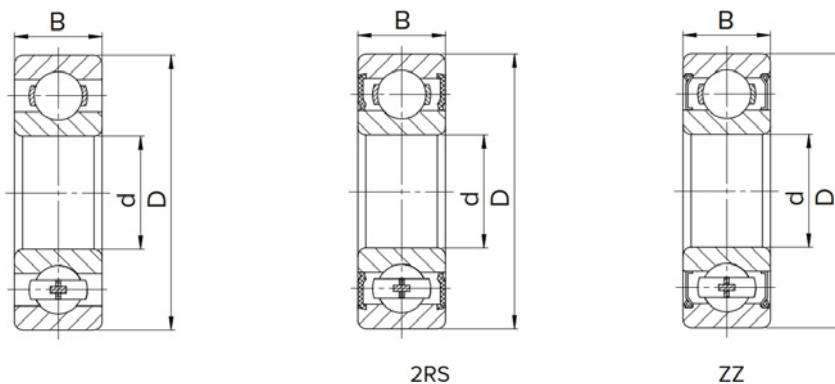
Miniature and extra-small ball bearings can be sealed by shields or rubber seals to prevent leakage of lubricating grease or entry of dust. Since the appropriate quantity of a high quality lubricating grease is factory sealed, the sealed miniature and extra-small ball bearings allows simplification of sealing devices around the bearing and facilitates easy handling.

### Sealing and lubrication

The most popular sizes of miniature and small bearings are also produced in sealed versions. These bearings with Z and ZZ are greased using high quality grease, lubricated for life and suitable for high speeds. Bearings with the suffix RS or 2RS have lip seals on one or both sides made from nitrile butadiene rubber. CRAFT bearings grease is a low noise bearing grease which is thickened by lithium 12-hydroxy stearic, it is made from deeply refined mineral oil with rust and oxidation inhibitors through special technical process. Applied temperatures range -20 C - 120 C.

### Cage

In general, a ribbon or crown type cage made of steel is used in miniature and small ball bearings. The ribbon type cage is used in relatively large bearing, while the crown type is used in smaller ones.



2RS

ZZ

| ISO       | GOST    | Dimensions (mm) |    |     | Basic Load Rating (N) |                      | Limiting speed ( r/min ) |        | Weight (kg) |
|-----------|---------|-----------------|----|-----|-----------------------|----------------------|--------------------------|--------|-------------|
|           |         | d               | D  | B   | Dyn. C                | Stat. C <sub>0</sub> | Lubrication              |        |             |
|           |         |                 |    |     |                       |                      | Grease                   | Oil    |             |
| 617/2     | 1000072 | 2               | 4  | 1.2 | 171                   | 51                   | 74000                    | 87000  | 0.00006     |
| 617/2 ZZ  |         | 2               | 4  | 2   | 171                   | 51                   | 74000                    | 87000  | 0.00006     |
| 617/3     | 1000073 | 3               | 6  | 2   | 242                   | 94                   | 60000                    | 71000  | 0.00020     |
| 617/3 ZZ  |         | 3               | 6  | 2.5 | 242                   | 94                   | 60000                    | 71000  | 0.00020     |
| 617/3 2RS |         | 3               | 6  | 2   | 242                   | 94                   | 60000                    | -      | 0.00020     |
| 617/4     | 1000074 | 4               | 7  | 2   | 269                   | 117                  | 54000                    | 63000  | 0.00028     |
| 617/4 ZZ  |         | 4               | 7  | 2.5 | 269                   | 117                  | 54000                    | 63000  | 0.00028     |
| 617/4 2RS |         | 4               | 7  | 2   | 269                   | 117                  | 54000                    | -      | 0.00028     |
| 617/5     | 1000075 | 5               | 8  | 2   | 292                   | 142                  | 49000                    | 57000  | 0.00032     |
| 617/5 ZZ  |         | 5               | 8  | 2   | 292                   | 142                  | 49000                    | 57000  | 0.00032     |
| 617/5 2RS |         | 5               | 8  | 2.5 | 292                   | 142                  | 49000                    | -      | 0.00032     |
| 617/6     | 1000076 | 6               | 10 | 2.5 | 530                   | 240                  | 43000                    | 51000  | 0.00065     |
| 617/6 ZZ  |         | 6               | 10 | 3   | 530                   | 240                  | 43000                    | 51000  | 0.00065     |
| 617/6 2RS |         | 6               | 10 | 2.5 | 530                   | 240                  | 43000                    | -      | 0.00065     |
| 617/7     | 1000077 | 7               | 11 | 2.5 | 560                   | 270                  | 40000                    | 47000  | 0.00067     |
| 617/7 ZZ  |         | 7               | 11 | 3   | 560                   | 270                  | 40000                    | 47000  | 0.00067     |
| 617/7 2RS |         | 7               | 11 | 2.5 | 560                   | 270                  | 40000                    | -      | 0.00067     |
| 617/8     | 1000078 | 8               | 12 | 2.5 | 575                   | 298                  | 38000                    | 45000  | 0.00075     |
| 617/8 ZZ  |         | 8               | 12 | 3.5 | 575                   | 298                  | 38000                    | 45000  | 0.00075     |
| 617/8 2RS |         | 8               | 12 | 2.5 | 575                   | 298                  | 38000                    | 45000  | 0.00075     |
| 617/9     | 1000079 | 9               | 14 | 3   | 920                   | 465                  | 36000                    | 42000  | 0.00140     |
| 617/9 ZZ  |         | 9               | 14 | 4.5 | 920                   | 465                  | 36000                    | 42000  | 0.00140     |
| 617/9 2RS |         | 9               | 14 | 3   | 920                   | 465                  | 36000                    | -      | 0.00140     |
| 618/1     | 1000081 | 1               | 3  | 1   | 80                    | 22                   | 120000                   | 140000 | 0.00005     |
| 618/1 ZZ  |         | 1               | 3  | 1.5 | 80                    | 22                   | 120000                   | 140000 | 0.00005     |
| 618/1 2RS |         | 1               | 3  | 1.5 | 80                    | 22                   | 120000                   | -      | 0.00005     |
| 618/2     | 1000082 | 2               | 5  | 1.5 | 171                   | 51                   | 74000                    | 87000  | 0.00013     |
| 618/2 ZZ  |         | 2               | 5  | 1.5 | 171                   | 51                   | 74000                    | 87000  | 0.00013     |
| 618/2 2RS |         | 2               | 5  | 1.5 | 171                   | 51                   | 74000                    | -      | 0.00013     |
| 618/3     | 1000083 | 3               | 7  | 2   | 390                   | 130                  | 58000                    | 68000  | 0.00031     |
| 618/3 ZZ  |         | 3               | 7  | 3   | 390                   | 130                  | 58000                    | 68000  | 0.00031     |
| 618/3 2RS |         | 3               | 7  | 3   | 390                   | 130                  | 58000                    | -      | 0.00031     |
| 618/4     | 1000084 | 4               | 9  | 2.5 | 540                   | 180                  | 49000                    | 57000  | 0.00070     |
| 618/4 ZZ  |         | 4               | 9  | 4   | 540                   | 180                  | 49000                    | 57000  | 0.00070     |
| 618/4 2RS |         | 4               | 9  | 4   | 540                   | 180                  | 49000                    | -      | 0.00070     |
| 618/5     | 1000085 | 5               | 11 | 3   | 637                   | 255                  | 43000                    | 51000  | 0.00120     |
| 618/5 ZZ  |         | 5               | 11 | 5   | 637                   | 255                  | 43000                    | 51000  | 0.00120     |
| 618/5 2RS |         | 5               | 11 | 5   | 637                   | 255                  | 43000                    | -      | 0.00120     |
| 618/6     | 1000086 | 6               | 13 | 3.5 | 884                   | 345                  | 39000                    | 46000  | 0.00200     |
| 618/6 ZZ  |         | 6               | 13 | 5   | 884                   | 345                  | 39000                    | 46000  | 0.00200     |
| 618/6 2RS |         | 6               | 13 | 5   | 884                   | 345                  | 39000                    | -      | 0.00200     |
| 618/7     | 1000087 | 7               | 14 | 3.5 | 956                   | 400                  | 37000                    | 44000  | 0.00220     |
| 618/7 ZZ  |         | 7               | 14 | 5   | 956                   | 400                  | 37000                    | 44000  | 0.00220     |

| ISO       | GOST    | Dimensions (mm) |    |     | Basic Load Rating (N) |                      | Limiting speed ( r/min ) |        | Weight (kg) |
|-----------|---------|-----------------|----|-----|-----------------------|----------------------|--------------------------|--------|-------------|
|           |         | d               | D  | B   | Dyn. C                | Stat. C <sub>0</sub> | Lubrication              |        |             |
|           |         |                 |    |     |                       |                      | Grease                   | Oil    |             |
| 618/7 2RS |         | 7               | 14 | 3.5 | 956                   | 400                  | 37000                    | -      | 0.00220     |
| 618/8     | 1000088 | 8               | 16 | 4   | 1330                  | 570                  | 35000                    | 41000  | 0.00300     |
| 618/8 ZZ  |         | 8               | 16 | 5   | 1330                  | 570                  | 35000                    | 41000  | 0.00300     |
| 618/8 2RS |         | 8               | 16 | 4   | 1330                  | 570                  | 35000                    | -      | 0.00300     |
| 618/9     | 1000089 | 9               | 17 | 4   | 1430                  | 665                  | 33000                    | 39000  | 0.00340     |
| 618/9 ZZ  |         | 9               | 17 | 5   | 1430                  | 665                  | 33000                    | 39000  | 0.00340     |
| 618/9 2RS |         | 9               | 17 | 4   | 1430                  | 665                  | 33000                    | -      | 0.00340     |
| 619/1     | 1000091 | 1               | 4  | 1.6 | 157                   | 43                   | 96000                    | 110000 | 0.00011     |
| 619/1 ZZ  | 1080091 | 1               | 4  | 2.3 | 157                   | 43                   | 96000                    | 110000 | 0.00011     |
| 619/1 2RS |         | 1               | 4  | 2.3 | 157                   | 43                   | 96000                    | -      | 0.00011     |
| 619/2     | 1000092 | 2               | 6  | 2.3 | 279                   | 89                   | 67000                    | 79000  | 0.00031     |
| 619/2 ZZ  | 1080092 | 2               | 6  | 3   | 279                   | 89                   | 67000                    | 79000  | 0.00031     |
| 619/2 2RS |         | 2               | 6  | 3   | 279                   | 89                   | 67000                    | 79000  | 0.00031     |
| 619/3     | 1000093 | 3               | 8  | 3   | 560                   | 180                  | 54000                    | 63000  | 0.00059     |
| 619/3 ZZ  | 1080093 | 3               | 8  | 4   | 560                   | 180                  | 54000                    | 63000  | 0.00059     |
| 619/3 2RS |         | 3               | 8  | 4   | 560                   | 180                  | 54000                    | -      | 0.00059     |
| 619/4     | 1000094 | 4               | 11 | 4   | 715                   | 276                  | 45000                    | 52000  | 0.00167     |
| 619/4 ZZ  | 1080094 | 4               | 11 | 4   | 715                   | 276                  | 45000                    | 52000  | 0.00167     |
| 619/4 2RS |         | 4               | 11 | 4   | 715                   | 276                  | 45000                    | -      | 0.00167     |
| 619/5     | 1000095 | 5               | 13 | 4   | 1080                  | 430                  | 40000                    | 47000  | 0.00238     |
| 619/5 ZZ  | 1080095 | 5               | 13 | 4   | 1080                  | 430                  | 40000                    | 47000  | 0.00238     |
| 619/5 2RS |         | 5               | 13 | 4   | 1080                  | 430                  | 40000                    | -      | 0.00238     |
| 619/6     | 1000096 | 6               | 15 | 5   | 1350                  | 530                  | 37000                    | 44000  | 0.00379     |
| 619/6 ZZ  | 1080096 | 6               | 15 | 5   | 1350                  | 530                  | 37000                    | 44000  | 0.00379     |
| 619/6 2RS |         | 6               | 15 | 5   | 1350                  | 530                  | 37000                    | -      | 0.00379     |
| 619/7     | 1000097 | 7               | 17 | 5   | 1610                  | 715                  | 35000                    | 41000  | 0.00526     |
| 619/7 ZZ  | 1080097 | 7               | 17 | 5   | 1610                  | 715                  | 35000                    | 41000  | 0.00526     |
| 619/7 2RS |         | 7               | 17 | 5   | 1610                  | 715                  | 35000                    | -      | 0.00526     |
| 619/8     | 1000098 | 8               | 19 | 6   | 1990                  | 865                  | 33000                    | 39000  | 0.00709     |
| 619/8 ZZ  | 1080098 | 8               | 19 | 6   | 1990                  | 865                  | 33000                    | 39000  | 0.00709     |
| 619/8 2RS |         | 8               | 19 | 6   | 1990                  | 865                  | 33000                    | -      | 0.00709     |
| 619/9     | 1000099 | 9               | 20 | 6   | 2480                  | 1090                 | 32000                    | 38000  | 0.00845     |
| 619/9 ZZ  | 1080099 | 9               | 20 | 6   | 2480                  | 1090                 | 32000                    | 38000  | 0.00845     |
| 619/9 2RS |         | 9               | 20 | 6   | 2480                  | 1090                 | 32000                    | -      | 0.00845     |
| 602       | 12      | 2               | 7  | 2.8 | 380                   | 125                  | 62000                    | 73000  | 0.00054     |
| 602 ZZ    | 80012   | 2               | 7  | 3.5 | 380                   | 125                  | 62000                    | 73000  | 0.00054     |
| 602 2RS   | 180012  | 2               | 7  | 3.5 | 380                   | 125                  | 62000                    | -      | 0.00054     |
| 603       | 13      | 3               | 9  | 3   | 635                   | 219                  | 50000                    | 59000  | 0.00092     |
| 603 ZZ    | 80013   | 3               | 9  | 5   | 635                   | 219                  | 50000                    | 59000  | 0.00092     |
| 603 2RS   | 180013  | 3               | 9  | 5   | 635                   | 219                  | 50000                    | -      | 0.00092     |
| 604       | 14      | 4               | 12 | 4   | 970                   | 360                  | 43000                    | 51000  | 0.00220     |
| 604 ZZ    | 80014   | 4               | 12 | 4   | 970                   | 360                  | 43000                    | 51000  | 0.00220     |
| 604 2RS   | 180014  | 4               | 12 | 4   | 970                   | 360                  | 43000                    | -      | 0.00220     |
| 605       | 15      | 5               | 14 | 5   | 1330                  | 510                  | 39000                    | 46000  | 0.00400     |
| 605 ZZ    | 80015   | 5               | 14 | 5   | 1330                  | 510                  | 39000                    | 46000  | 0.00400     |
| 605 2RS   | 180015  | 5               | 14 | 5   | 1330                  | 510                  | 39000                    | -      | 0.00400     |
| 606       | 16      | 6               | 17 | 6   | 2190                  | 865                  | 35000                    | 42000  | 0.00600     |
| 606 ZZ    | 80016   | 6               | 17 | 6   | 2190                  | 865                  | 35000                    | 42000  | 0.00600     |
| 606 2RS   | 180016  | 6               | 17 | 6   | 2190                  | 865                  | 35000                    | -      | 0.00600     |
| 607       | 17      | 7               | 19 | 6   | 1720                  | 620                  | 34000                    | 40000  | 0.07500     |
| 607 ZZ    | 80017   | 7               | 19 | 6   | 1720                  | 620                  | 34000                    | 40000  | 0.07500     |
| 607 2RS   | 180017  | 7               | 19 | 6   | 1720                  | 620                  | 34000                    | -      | 0.07500     |
| 608       | 18      | 8               | 22 | 7   | 3250                  | 1370                 | 32000                    | 37000  | 0.01200     |
| 608 ZZ    | 80018   | 8               | 22 | 7   | 3250                  | 1370                 | 32000                    | 37000  | 0.01200     |
| 608 2RS   | 180018  | 8               | 22 | 7   | 3250                  | 1370                 | 32000                    | -      | 0.01200     |
| 609       | 19      | 9               | 24 | 7   | 3710                  | 1660                 | 31000                    | 36000  | 0.01400     |
| 609 ZZ    | 80019   | 9               | 24 | 7   | 3710                  | 1660                 | 31000                    | 36000  | 0.01400     |
| 609 2RS   | 180019  | 9               | 24 | 7   | 3710                  | 1660                 | 31000                    | -      | 0.01400     |
| 623       | 23      | 3               | 10 | 4   | 490                   | 150                  | 50000                    | 58000  | 0.0014      |

| ISO     | GOST   | Dimensions (mm) |    |   | Basic Load Rating (N) |                      | Limiting speed ( r/min ) |       | Weight (kg) |
|---------|--------|-----------------|----|---|-----------------------|----------------------|--------------------------|-------|-------------|
|         |        |                 |    |   |                       |                      | Lubrication              |       |             |
|         |        | d               | D  | B | Dyn. C                | Stat. C <sub>0</sub> | Grease                   | Oil   |             |
| 623 ZZ  | 80023  | 3               | 10 | 4 | 490                   | 150                  | 50000                    | 58000 | 0.0014      |
| 623 2RS | 180023 | 3               | 10 | 4 | 490                   | 150                  | 50000                    | -     | 0.0014      |
| 624     | 24     | 4               | 13 | 5 | 980                   | 305                  | 42000                    | 49000 | 0.0031      |
| 624 ZZ  | 80024  | 4               | 13 | 5 | 980                   | 305                  | 42000                    | 49000 | 0.0031      |
| 624 2RS | 180024 | 4               | 13 | 5 | 980                   | 305                  | 42000                    | -     | 0.0031      |
| 625     | 25     | 5               | 16 | 5 | 1110                  | 380                  | 37000                    | 44000 | 0.0050      |
| 625 ZZ  | 80025  | 5               | 16 | 5 | 1110                  | 380                  | 37000                    | 44000 | 0.0050      |
| 625 2RS | 180025 | 5               | 16 | 5 | 1110                  | 380                  | 37000                    | -     | 0.0050      |
| 626     | 26     | 6               | 19 | 6 | 1720                  | 620                  | 34000                    | 40000 | 0.0084      |
| 626 ZZ  | 80026  | 6               | 19 | 6 | 1720                  | 620                  | 34000                    | 40000 | 0.0084      |
| 626 2RS | 180026 | 6               | 19 | 6 | 1720                  | 620                  | 34000                    | -     | 0.0084      |
| 627     | 27     | 7               | 22 | 7 | 3250                  | 1370                 | 32000                    | 37000 | 0.0130      |
| 627 ZZ  | 80026  | 7               | 22 | 7 | 3250                  | 1370                 | 32000                    | 37000 | 0.0130      |
| 627 2RS | 180026 | 7               | 22 | 7 | 3250                  | 1370                 | 32000                    | -     | 0.0130      |
| 628     | 28     | 8               | 24 | 8 | 4000                  | 1590                 | 31000                    | 36000 | 0.0170      |
| 628 ZZ  | 80028  | 8               | 24 | 8 | 4000                  | 1590                 | 31000                    | 36000 | 0.0170      |
| 628 2RS | 180028 | 8               | 24 | 8 | 4000                  | 1590                 | 31000                    | -     | 0.0170      |
| 629     | 29     | 9               | 26 | 8 | 4620                  | 1960                 | 30000                    | 35000 | 0.0200      |
| 629 ZZ  | 80029  | 9               | 26 | 8 | 4620                  | 1960                 | 30000                    | 35000 | 0.0200      |
| 629 2RS | 180029 | 9               | 26 | 8 | 4620                  | 1960                 | 30000                    | -     | 0.0200      |
| 634     | 34     | 4               | 16 | 5 | 1110                  | 380                  | 37000                    | 44000 | 0.0054      |
| 634 ZZ  | 80034  | 4               | 16 | 5 | 1110                  | 380                  | 37000                    | 44000 | 0.0054      |
| 634 2RS | 180034 | 4               | 16 | 5 | 1110                  | 380                  | 37000                    | -     | 0.0054      |
| 635     | 35     | 5               | 19 | 6 | 1720                  | 620                  | 34000                    | 40000 | 0.0090      |
| 635 2RS | 80035  | 5               | 19 | 6 | 1720                  | 620                  | 34000                    | 40000 | 0.0090      |
| 635 ZZ  | 180035 | 5               | 19 | 6 | 1720                  | 620                  | 34000                    | -     | 0.0090      |