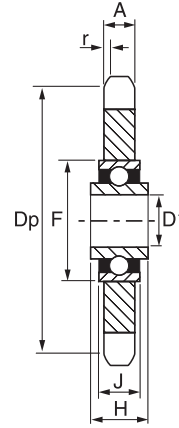
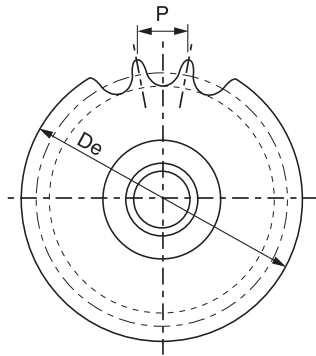


Idler Sprockets

Idler Sprockets

Idler Sprockets



Material C45

| ISO Chain Size | Chain Pitch x Width Between Inner Plates | Teeth | Outer Dia de | Pitch Dia dp | Tooth Width A | Bearing Bore D1 | Bearing Bore Width H | Bearing Outside Dia F | Bearing Width J |
|----------------|--|-------|--------------|--------------|---------------|-----------------|----------------------|-----------------------|-----------------|
| 05B | 8 mm x 3 mm | 23 | 62.0 | 58.75 | 2.8 | 16.2 | 18.3 | 40 | 12 |
| 06B | 3/8" x 7/32" | 21 | 68.0 | 63.91 | 5.3 | 16.2 | 18.3 | 40 | 12 |
| 081 | 1/2" x 1/8" | 18 | 78.9 | 73.14 | 3.0 | 16.2 | 18.3 | 40 | 12 |
| 083 | 1/2" x 3/16" | 18 | 78.9 | 73.14 | 4.5 | 16.2 | 18.3 | 40 | 12 |
| 084 | 1/2" x 3/16" | 18 | 78.9 | 73.14 | 4.5 | 16.2 | 18.3 | 40 | 12 |
| 08B | 1/2" x 5/16" | 16 | 69.5 | 65.10 | 7.2 | 16.2 | 18.3 | 40 | 12 |
| 08B | 1/2" x 5/16" | 18 | 77.8 | 73.14 | 7.2 | 16.2 | 18.3 | 40 | 12 |
| 10B | 5/8" x 3/8" | 14 | 78.0 | 71.34 | 9.1 | 16.2 | 18.3 | 40 | 12 |
| 10B | 5/8" x 3/8" | 15 | 83.0 | 76.36 | 9.1 | 16.2 | 18.3 | 40 | 12 |
| 10B | 5/8" x 3/8" | 17 | 93.0 | 86.30 | 9.1 | 16.2 | 18.3 | 40 | 12 |
| 12B | 3/4" x 7/16" | 13 | 87.5 | 79.59 | 11.1 | 16.2 | 18.3 | 40 | 12 |
| 12B | 3/4" x 7/16" | 15 | 99.8 | 91.63 | 11.1 | 16.2 | 18.3 | 40 | 12 |
| 16B | 1" x 17.02 mm | 12 | 109.0 | 98.14 | 16.2 | 20.0 | 17.7 | 47 | 14 |
| 20B | 1.1/4" x 3/4" | 13 | 147.8 | 132.65 | 18.5 | 25.0 | 21.0 | 52 | 15 |

| ANSI Chain Size | Chain Pitch x Width Between Inner Plates | Teeth | Outer Dia de | Pitch Dia dp | Tooth Width A | Bearing Bore D1 | Bearing Bore Width H | Bearing Outside Dia F | Bearing Width J |
|-----------------|--|-------|--------------|--------------|---------------|-----------------|----------------------|-----------------------|-----------------|
| 35 | 3/8" x 3/16" | 20 | 65.77 | 60.89 | 4.4 | 16.20 | 18.3 | 40 | 12 |
| 40 | 1/2" x 5/16" | 17 | 75.68 | 69.12 | 7.4 | 16.20 | 18.3 | 40 | 12 |
| 40 | 1/2" x 5/16" | 18 | 79.70 | 73.14 | 7.4 | 16.20 | 18.3 | 40 | 12 |
| 50 | 5/8" x 3/8" | 15 | 83.00 | 76.36 | 9.0 | 16.20 | 18.3 | 40 | 12 |
| 50 | 5/8" x 3/8" | 17 | 93.00 | 86.39 | 9.0 | 16.20 | 18.3 | 40 | 12 |
| 60 | 3/4" x 1/2" | 13 | 89.49 | 79.59 | 12.0 | 16.20 | 18.3 | 40 | 12 |
| 60 | 3/4" x 1/2" | 15 | 101.52 | 91.63 | 12.0 | 16.20 | 18.3 | 40 | 12 |
| 80 | 1" x 5/8" | 12 | 103.28 | 90.14 | 15.0 | 19.05 | 17.7 | 47 | 14 |