

L.D.

5 X --	=	mm
5 X 08	=	40 mm
5 X 20	=	100 mm

Clearance:

- /C2: Less than nominal clearance
- /C0: Nominal clearance, omitted in designation
- /C3: Larger clearance, than C0
- /C4: Larger clearance, than C3
- /C5: Larger clearance, than C4

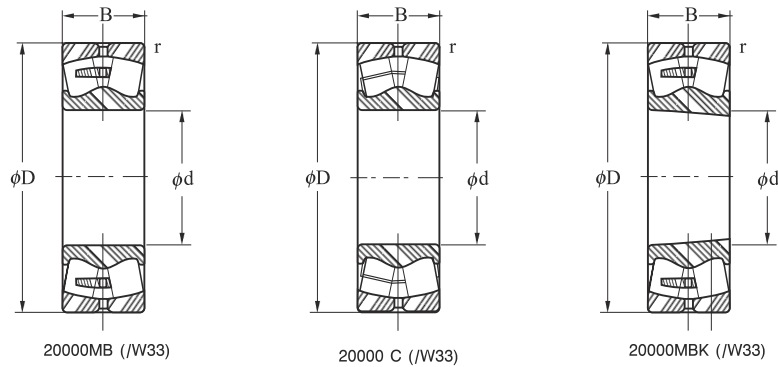
Internal structure and retainer material change

- C: symmetrical roller, stamped steel retainer
- Ca: symmetrical roller, one-piece brass retainer
- Mb: symmetrical roller, two-piece brass retainer
- CTN1: symmetrical roller, nylon retainer
- K: tapered bore bearing, taper is 1:12
- K30: tapered bore bearing, taper is 1:30
- /W33: a lubricating groove and three lubricating holes on the outer race

Working temperature:

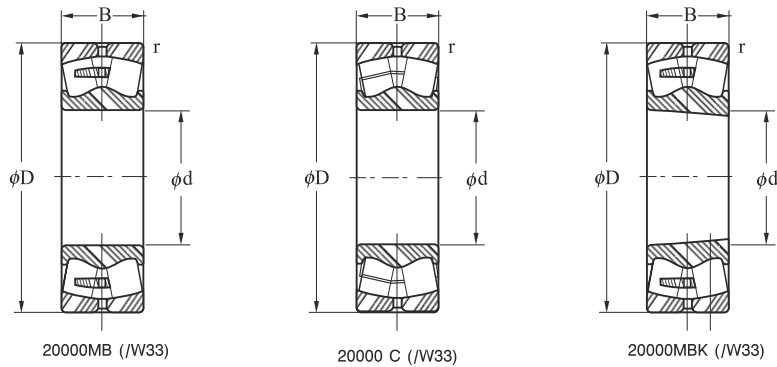
- /S0: Working temperature is up to 150 °C
- /S1: Working temperature is up to 200 °C
- /S2: Working temperature is up to 250 °C
- /S3: Working temperature is up to 300 °C
- /S4: Working temperature is up to 350 °C

SPHERICAL ROLLER BEARINGS



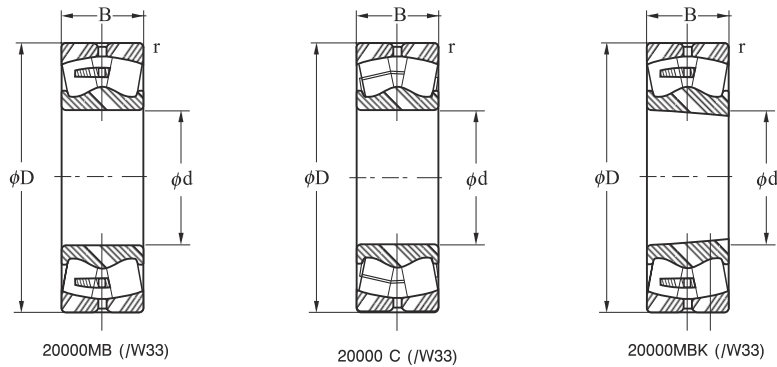
Principal dimensions mm (in)				Weight kg (lb)	Bearing Number		Basic Load Rating kN (lbf)		Limiting Speed (rpm)	
d	D	B	r _{min}		Cylindrical Bore	Tapered Bore	Dynamic Cr	Static Cor	Grease	Oil
25 0.9842	52 2.0472	18.0 0.7086	1.0 0.039	0.17 0.374	22205C	22205CK	39.38 8860	36.80 8280	8000	10000
30 1.1811	62 2.4409	20.0 0.7874	1.0 0.039	0.27 0.595	22206MB W33	22206MBK W33	51.80 11660	56.80 12730	6300	8000
35 1.3779	72 2.8346	23.0 0.9055	1.1 0.043	0.39 0.859	22207MB W33	22207MBK W33	66.50 14960	76.00 17100	5300	6700
40 1.5748	80 3.1496	23.0 0.9055	1.1 0.043	0.47 1.036	22208MB W33	22208MBK W33	78.50 17660	90.80 20430	5000	6000
	90 3.5433	33.0 1.2992	1.5 0.059	0.96 2.116	22308MB W33	22308MBK W33	120.00 27000	138.00 31050	4300	5300
45 1.7716	85 3.3464	23.0 0.9055	1.1 0.043	0.52 1.146	22209MB W33	22209MBK W33	82.00 18450	97.50 21940	4500	5600
	100 3.9370	36.0 1.4173	1.5 0.059	1.28 2.822	22309MB W33	22309MBK W33	142.00 31950	170.00 38250	3800	4800
50 1.9685	90 3.5433	23.0 0.9055	1.1 0.043	0.56 1.234	22210MB W33	22210MBK W33	92.95 20910	105.00 23630	4000	5000
	110 4.3307	40.0 1.5748	2.0 0.078	1.69 3.726	22310MB W33	22310MBK W33	192.50 43310	210.00 47250	3400	4300
55 2.1653	100 3.9370	25.0 0.9842	1.5 0.059	0.76 1.675	22211MB W33	22211MBK W33	112.20 25250	125.00 28130	3600	4500
	120 4.7244	43.0 1.6929	2.0 0.078	2.16 4.762	22311MB W33	22311MBK W33	228.80 51480	250.00 56250	3000	3800
60 2.3622	110 4.3307	28.0 1.1023	1.5 0.059	1.04 2.293	22212MB W33	22212MBK W33	134.20 30200	155.00 34880	3200	4000
	130 5.1181	46.0 1.8110	2.1 0.082	2.72 5.997	22312MB W33	22312MBK W33	261.80 58910	285.00 64130	2800	3600
65 2.5590	120 4.7244	31.0 1.2204	1.5 0.059	1.43 3.153	22213MB W33	22213MBK W33	165.00 37130	195.00 43880	2800	3600
	140 5.5118	48.0 1.8897	2.1 0.082	3.59 7.915	22313MB W33	22313MBK W33	286.00 64350	315.00 70880	2400	3200
70 2.7559	125 4.9212	31.0 1.2204	1.5 0.059	1.51 3.329	22214MB W33	22214MBK W33	173.80 39110	205.00 46130	2600	3400
	150 5.9055	51.0 2.0078	2.1 0.082	4.39 9.679	22314MB W33	22314MBK W33	321.20 72270	362.00 81450	2200	3000
75 2.9527	130 5.1181	31.0 1.2204	1.5 0.059	1.59 3.505	22215MB W33	22215MBK W33	178.20 40100	215.00 48380	2400	3200
	160 6.2992	55.0 2.1653	2.1 0.082	4.96 10.936	22315MB W33	22315MBK W33	376.20 84650	438.00 98550	2000	2800
80 3.1496	140 5.5118	33.0 1.2992	2.0 0.078	1.90 4.189	22216MB W33	22216MBK W33	192.50 43310	238.00 53550	2200	3000
	170 6.6929	58.0 2.2834	2.1 0.082	6.41 14.134	22316MB W33	22316MBK W33	423.50 95290	498.00 112050	1900	2600
85 3.3464	150 5.9055	36.0 1.4173	2.0 0.078	2.41 5.314	22217MB W33	22217MBK W33	231.00 51980	278.00 62550	2000	2800
	180 7.0866	60.0 2.3622	3.0 0.118	7.33 16.162	22317MB W33	22317MBK W33	462.00 103950	540.00 121500	1800	2400
90 3.5433	160 6.2992	40.0 1.5748	2.0 0.078	3.11 6.857	22218MB W33	22218MBK W33	264.00 59400	322.00 72450	1900	2600
	160 6.2992	52.4 2.0629	2.0 0.078	4.51 9.944	23218MB W33	23218MBK W33	315.00 70880	455.00 102380	1800	2500
	190 7.4803	64.0 2.5196	3.0 0.118	8.06 17.772	22318MB W33	22318MBK W33	522.50 117560	622.00 139950	1800	2400
95 3.7401	170 6.6929	43.0 1.6929	2.1 0.082	3.82 8.423	22219MB W33	22219MBK W33	305.80 68810	380.00 85500	1900	2600
	200 7.8740	67.0 2.6377	3.0 0.118	9.29 20.484	22319MB W33	22319MBK W33	572.00 128700	688.00 154800	1700	2200
100 3.9370	150 5.9055	50.0 1.9685	1.5 0.059	3.08 6.791	24020MB W33	24020MBK W33	212.40 47790	228.60 51440	1600	2000
	165 6.4960	52.0 2.0472	2.0 0.078	4.35 9.591	23120MB W33	23120MBK W33	352.00 79200	505.00 113630	1600	2000
	180 7.0866	46.0 1.8110	2.1 0.082	4.62 10.187	22220MB W33	22220MBK W33	341.00 76730	425.00 95630	1800	2400
	180 7.0866	60.3 2.3740	2.1 0.082	6.58 14.508	23220MB W33	23220MBK W33	405.00 91130	580.00 130500	1600	2200
	215 8.4645	73.0 2.8740	3.0 0.118	12.20 26.901	22320MB W33	22320MBK W33	668.80 150480	815.00 183380	1400	1800
110 4.3307	170 6.6929	45.0 1.7716	2.0 0.078	3.75 8.268	23022MB W33	23022MBK W33	297.00 66830	448.00 100800	1400	1800
	170 6.6929	60.0 2.3622	2.0 0.078	4.94 10.892	24022MB W33	24022MBK W33	759.00 170780	1030.00 231750	1400	1800
	180 7.0866	56.0 2.2047	2.0 0.078	5.70 12.568	23122MB W33	23122MBK W33	412.50 92810	595.00 133880	1300	1700

SPHERICAL ROLLER BEARINGS



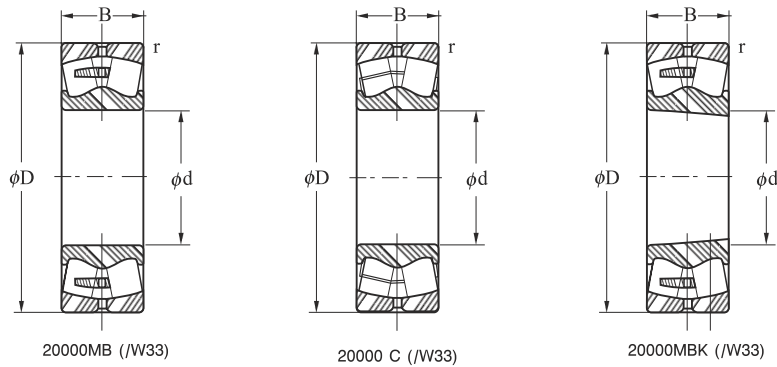
Principal dimensions mm (in)				Weight kg (lb)	Bearing Number		Basic Load Rating kN (lbf)		Limiting Speed (rpm)	
d	D	B	r _{min}		Cylindrical Bore	Tapered Bore	Dynamic Cr	Static Cor	Grease	Oil
120 4.7244	180 7.0866	69.0 2.7165	2.0 0.078	6.48 14.288	24122MB W33	24122MBK W33	503.80 113360	775.00 174380	1600	2000
	200 7.8740	53.0 2.0866	2.1 0.082	6.77 14.927	22222MB W33	22222MBK W33	445.50 100240	575.00 129380	1700	2200
	200 7.8740	69.8 2.7480	2.1 0.082	9.54 21.035	23222MB W33	23222MBK W33	566.50 127460	785.00 176630	1400	1800
	240 9.4488	80.0 3.1496	3.0 0.118	17.00 37.485	22322MB W33	22322MBK W33	764.50 172010	935.00 210380	1500	1900
	180 7.0866	46.0 1.811	2.0 0.078	4.11 9.062	23024MB W33	23024MBK W33	233.20 52470	470.00 105750	1200	1600
130 5.1181	180 7.0866	60.0 2.3622	2.0 0.078	5.33 11.752	24024MB W33	24024MBK W33	418.00 94050	675.00 151880	1500	2000
	200 7.8740	62.0 2.4409	2.0 0.078	7.84 17.287	23124MB W33	23124MBK W33	495.00 111380	722.00 162450	1400	1800
	200 7.8740	80.0 3.1496	2.0 0.078	10.00 22.050	24124MB W33	24124MBK W33	632.50 142310	998.00 224550	1200	1600
	215 8.4645	58.0 2.2834	2.1 0.082	8.45 18.632	22224MB W33	22224MBK W33	517.00 116330	678.00 152550	1600	2000
	215 8.4645	76.0 2.9921	2.1 0.082	12.10 26.680	23224MB W33	23224MBK W33	585.00 131650	880.00 198000	1300	1900
	260 10.2362	86.0 3.3858	3.0 0.118	22.60 49.833	22324MB W33	22324MBK W33	929.50 209140	1160.00 261000	1500	1900
	200 7.8740	52.0 2.0472	2.0 0.078	5.98 13.185	23026MB W33	23026MBK W33	412.50 92810	630.00 141750	1700	2000
	200 7.8740	69.0 2.7165	2.0 0.078	7.84 17.287	24026MB W33	24026MBK W33	505.00 113630	895.00 201380	1300	1900
	210 8.2677	64.0 2.5196	2.0 0.078	8.68 19.139	23126MB W33	23126MBK W33	495.00 111380	795.00 178880	1300	1800
	210 8.2677	80.0 3.1496	2.0 0.078	10.70 23.593	24126MB W33	24126MBK W33	643.50 144790	1030.00 231750	1300	1700
140 5.5118	230 9.0551	64.0 2.5196	3.0 0.118	10.50 23.152	22226MB W33	22226MBK W33	605.00 136130	810.00 182250	1400	1800
	230 9.0551	80.0 3.1496	3.0 0.118	14.30 31.531	23226MB W33	23226MBK W33	618.20 139100	832.00 187300	1600	2000
	280 11.0236	93.0 3.6614	4.0 0.157	28.10 61.960	22326MB W33	22326MBK W33	1062.00 238950	1300.00 292500	1400	1800
	210 8.2677	53.0 2.0866	2.0 0.078	6.49 14.310	23028MB W33	23028MBK W33	434.50 97760	680.00 153000	1600	1900
	210 8.2677	69.0 2.7165	2.0 0.078	8.37 18.455	24028MB W33	24028MBK W33	536.80 120780	895.00 201380	1300	1700
	225 8.8582	68.0 2.6771	2.1 0.082	10.50 23.152	23128MB W33	23128MBK W33	591.80 133160	905.00 203630	1200	1600
	225 8.8582	85.0 3.3464	2.1 0.082	13.00 28.665	24128MB W33	24128MBK W33	737.00 165830	1200.00 270000	1200	1600
	250 9.8425	68.0 2.6771	3.0 0.118	14.50 31.972	22228MB W33	22228MBK W33	690.80 155430	930.00 209250	1300	1700
	250 9.8482	88.0 3.4645	3.0 0.118	18.80 41.454	23228MB W33	23228MBK W33	805.00 181130	1270.00 285750	1100	1600
	300 11.8110	102.0 4.0157	4.0 0.157	35.50 78.277	22328MB W33	22328MBK W33	1243.00 279680	1610.00 362250	1300	1700
150 5.9055	225 8.8582	56.0 2.2047	2.1 0.082	7.90 17.419	23230MB W33	23230MBK W33	475.20 106920	750.00 168750	1400	1800
	225 8.8582	75.0 2.9527	2.1 0.082	10.50 23.152	24030MB W33	24030MBK W33	585.00 131630	1060.00 238500	1100	1600
	250 9.8425	80.0 3.1496	2.1 0.082	15.80 34.839	23130MB W33	23130MBK W33	730.00 164250	1190.00 267750	1100	1500
	250 9.8482	100.0 3.9370	2.1 0.082	19.80 43.659	24130MB W33	24130MBK W33	895.00 201380	1550.00 348750	1100	1500
	270 10.6299	73.0 2.8740	3.0 0.118	18.40 40.572	22230MB W33	22230MBK W33	825.00 185630	1130.00 254250	1300	1600
	270 10.6299	96.0 3.7795	3.0 0.118	24.20 53.361	23230MB W33	23230MBK W33	935.00 210380	1460.00 328500	1000	1500
	320 12.5984	108.0 4.2519	4.0 0.157	41.50 91.507	22330MB W33	22330MBK W33	1397.00 314330	1850.00 416250	1200	1500
	240 9.4488	60.0 2.3622	2.1 0.082	9.66 21.300	23032MB W33	23032MBK W33	558.80 125730	890.00 200250	14300	1700
160 6.2992	240 9.4488	80.0 3.1496	2.1 0.082	12.70 28.003	24032MB W33	24032MBK W33	650.00 146250	1200.00 270000	1100	1500
	270 10.6299	86.0 3.3858	2.1 0.082	20.30 44.761	23132MB W33	23132MBK W33	840.00 189000	1370.00 308250	1000	1400
	270 10.6299	109.0 4.2913	2.1 0.082	25.40 56.007	24132MB W33	24132MBK W33	1040.00 234000	1780.00 400500	1000	1400

SPHERICAL ROLLER BEARINGS



Principal dimensions mm (in)				Weight kg (lb)	Bearing Number		Basic Load Rating kN (lbf)		Limiting Speed (rpm)		
d	D	B	r _{min}		Cylindrical Bore	Tapered Bore	Dynamic C _r	Static C _{or}	Grease	Oil	
	290 11.4173	80 3.1496	3.0 0.118	23.20 51.156	22232MB W33	22232MBK W33	932.80 209880	1290.00 290250	1200	1500	
	290 11.4173	104 4.0944	3.0 0.118	30.50 67.252	23232MB W33	23232MBK W33	1050.00 236250	1660.00 373500	950	1400	
	340 13.3858	114 4.4881	4.0 0.157	49.40 108.927	22332MB W33	22332MBK W33	1390.00 312750	1950.00 438750	940	1300	
170 6.6929	260 10.2362	67 2.6377	2.1 0.082	13.00 28.665	23034MB W33	23034MBK W33	676.50 152210	1100.00 247500	1200	1600	
	260 10.2362	90 3.5433	2.1 0.082	17.30 38.146	24034MB W33	24034MBK W33	800.00 180000	1470.00 330750	990	1400	
	280 11.0236	88 3.4645	2.1 0.082	21.80 48.069	23134MB W33	23134MBK W33	885.00 199130	1490.00 335250	940	1300	
	280 11.0236	109 4.2913	2.1 0.082	26.60 58.653	24134MB W33	24134MBK W33	1080.00 243000	1880.00 423000	940	1300	
	310 12.2047	86 3.3858	4.0 0.157	28.80 63.504	22234MB W33	22234MBK W33	1073.00 241430	1500.00 337500	1100	1400	
	310 12.2047	110 4.3307	4.0 0.157	36.40 80.262	23234MB W33	23234MBK W33	1180.00 265500	1960.00 441000	890	1300	
	360 14.1732	120 4.7244	4.0 0.157	57.90 127.669	22334MB W33	22334MBK W33	1520.00 342000	2150.00 483750	870	1200	
	180 7.0866	280 11.0236	74 2.9133	2.1 0.082	17.10 37.705	23036MB W33	23036MBK W33	789.80 177710	1310.00 294750	1200	1400
		280 11.0236	100 3.9370	2.1 0.082	22.70 50.053	24036MB W33	24036MBK W33	975.00 219380	1800.00 405000	940	1300
		300 11.8110	96 3.7795	3.0 0.118	27.50 60.637	23136MB W33	23136MBK W33	1155.00 259880	1830.00 411750	900	1200
300 11.8110		118 4.6456	3.0 0.118	33.10 72.985	24136MB W33	24136MBK W33	1320.00 297000	2200.00 495000	900	1200	
260 10.2362		86 3.3858	4.0 0.157	30.20 66.5591	22236MB W33	22236MBK W33	1111.00 249980	1590.00 357750	1100	1300	
320 12.5984		112 4.4094	4.0 0.157	38.90 85.7745	23236MB W33	23236MBK W33	1260.00 283500	2080.00 468000	830	1200	
320 12.5984		126 4.9606	4.0 0.157	67.00 147.735	22336MB W33	22336MBK W33	1710.00 384750	2520.00 567000	820	1200	
190 7.4803		380 14.9606	75 2.9527	2.1 0.082	17.60 38.808	23038MB W33	23038MBK W33	830.50 186860	1380.00 310500	1100	1400
		290 11.4173	100 3.9370	2.1 0.082	23.90 52.699	24038MB W33	24038MBK W33	995.00 223880	1850.00 416250	880	1300
		290 11.4173	104 4.0944	3.0 0.118	34.50 76.072	23138MB W33	23138MBK W33	1190.00 267750	2020.00 454500	840	1200
	320 12.5984	128 5.0393	3.0 0.118	41.50 91.507	24138MB W33	24138MBK W33	1420.00 319500	2480.00 558000	840	1200	
	320 12.5984	92 3.6220	4.0 0.157	35.50 78.277	22238MB W33	22238MBK W33	1595.00 358880	2490.00 560250	800	1100	
	340 13.3858	120 4.7244	4.0 0.157	47.60 104.958	23238MB W33	23238MBK W33	1420.00 319500	2360.00 531000	780	1100	
	340 13.3858	132 5.1968	5.0 0.157	78.10 172.210	22338MB W33	22338MBK W33	1850.00 416250	2750.00 618750	770	1100	
	200 7.8740	400 15.7480	82 3.2283	2.1 0.082	22.60 49.833	23040MB W33	23040MBK W33	979.00 220280	1650.00 371250	1000	1100
310 12.2047		109 4.2913	2.1 0.082	30.40 67.032	24040MB W33	24040MBK W33	1170.00 263250	2180.00 490500	840	1200	
310 12.2047		112 2.9527	3.0 0.118	42.60 93.933	23140MB W33	23140MBK W33	1518.00 341550	2460.00 553500	800	1000	
340 13.3858		140 5.5118	3.0 0.118	51.30 113.116	24140MB W33	24140MBK W33	1630.00 366750	2900.00 652500	790	1100	
340 13.3858		98 3.8582	4.0 0.157	42.70 94.153	22240MB W33	22240MBK W33	1771.00 398480	2790.00 627750	750	1000	
360 14.1732		128 5.0393	4.0 0.157	57.10 125.905	23240MB W33	23240MBK W33	1610.00 362250	2640.00 594000	740	1100	
360 14.1732		138 5.4330	5.0 0.157	92.60 204.183	22340MB W33	22340MBK W33	2040.00 459000	3050.00 686250	730	1000	

SPHERICAL ROLLER BEARINGS



Principal dimensions mm (in)				Weight kg (lb)	Bearing Number		Basic Load Rating kN (lbf)		Limiting Speed (rpm)	
d	D	B	r _{min}		Cylindrical Bore	Tapered Bore	Dynamic Cr	Static Cor	Grease	Oil
220 8.6614	340	90	3.0	29.90	23044MB W33	23044MBK W33	954.00	1728.00	774	1080
	13.3858	3.5433	0.118	65.929			214650	388800		
	340	118	3.0	40.20	24044MB W33	24044MBK W33	1215.00	2313.00	675	990
	13.3858	4.6456	0.118	88.641			273380	520430		
	370	120	4.0	53.30	23144MB W33	23144MBK W33	1404.00	2439.00	639	900
	14.5669	4.7244	0.157	117.526			315900	548780		
	370	150	4.0	67.00	24144MB W33	24144MBK W33	1692.00	3060.00	639	900
	14.5669	5.9055	0.157	147.735			380700	688500		
	400	108	4.0	60.40	22244MB W33	22244MBK W33	1395.00	2178.00	648	900
	15.7480	4.2519	0.157	133.182			313880	490050		
400	144	4.0	80.00	23244MB W33	23244MBK W33	1773.00	2925.00	594	846	
15.7480	5.6692	0.157	176.400			398930	658130			
460	145	5.0	117.00	22344MB W33	22344MBK W33	2115.00	3150.00	594	846	
18.1102	5.7086	0.157	257.985			475880	708750			
240 9.4488	360	92	3.0	33.40	23048MB W33	23048MBK W33	1017.00	1926.00	702	990
	14.1732	3.6220	0.118	73.647			228880	433350		
	360	118	3.0	43.00	24048MB W33	24048MBK W33	1278.00	2529.00	621	882
	14.1732	4.6456	0.118	94.815			287530	569030		
	400	128	4.0	65.80	23148MB W33	23148MBK W33	1557.00	2745.00	576	828
	15.7480	5.0393	0.157	145.089			350330	617630		
	400	160	4.0	82.20	24148MB W33	24148MBK W33	1899.00	3420.00	576	828
	15.7480	6.2992	0.157	181.251			427280	769500		
	440	120	4.0	81.70	22248MB W33	22248MBK W33	1728.00	2745.00	594	846
	17.3228	4.7244	0.157	180.148			388800	617630		
440	160	4.0	108.00	23248MB W33	23248MBK W33	2142.00	3600.00	540	774	
17.3228	6.2992	0.157	238.14			481950	810000			
500	155	5.0	148.00	22348MB W33	22348MBK W33	2421.00	3645.00	540	765	
19.6850	6.1023	0.157	326.34			544730	820130			
260 10.2362	400	104	4.0	48.50	23052MB W33	23052MBK W33	1278.00	2358.00	648	900
	15.7480	4.0944	0.157	106.942			287530	530550		
	400	140	4.0	65.20	24052MB W33	24052MBK W33	1647.00	3195.00	567	810
	15.7480	5.5118	0.157	143.766			370580	718880		
	440	144	4.0	91.40	23152MB W33	23152MBK W33	1890.00	3375.00	531	756
	17.3228	5.6692	0.157	201.537			425250	759380		
	440	180	4.0	114.00	24152MB W33	24152MBK W33	2214.00	4050.00	531	756
	17.3228	7.0866	0.157	251.370			498150	911250		
	480	130	5.0	106.00	22252MB W33	22252MBK W33	2007.00	3240.00	540	774
	18.8976	5.1181	0.157	233.730			451580	729000		
480	174	5.0	141.00	23252MB W33	23252MBK W33	2428.00	4230.00	495	702	
18.8976	6.8503	0.157	310.905			558900	951750			
540	165	6.0	183.00	22352MB W33	22352MBK W33	2790.00	4230.00	486	702	
21.2598	6.4960	0.236	403.515			627750	951750			
280 11.0236	420	106	4.0	52.40	23056MB W33	23056MBK W33	1359.00	2628.00	594	846
	16.5354	4.1732	0.157	115.542			305780	591300		
	420	140	4.0	69.00	24056MB W33	24056MBK W33	1755.00	3555.00	522	738
	16.5354	5.5118	0.157	152.145			394880	799880		
	460	146	4.0	97.70	23156MB W33	23156MBK W33	2025.00	3735.00	486	693
	18.1102	5.7480	0.157	215.428			455630	840380		
	460	180	4.0	120.00	24156MB W33	24156MBK W33	2412.00	4590.00	486	693
	18.1102	7.0866	0.157	264.600			542700	1032750		
	500	130	5.0	112.00	22256MB W33	22256MBK W33	2079.00	3420.00	495	711
	19.6850	5.1181	0.157	246.960			467780	769500		
500	176	5.0	150.00	23256MB W33	23256MBK W33	2637.00	4635.00	450	648	
19.6850	6.9291	0.157	330.750			593330	1042880			
580	175	6.0	224.00	22356MB W33	22356MBK W33	3150.00	4815.00	450	639	
22.8346	6.8897	0.236	493.920			708750	1083380			
300 11.8110	460	118	4.0	72.40	23060MB W33	23060MBK W33	1701.00	3195.00	549	783
	18.1102	4.6456	0.157	159.642			382730	718880		
	460	160	4.0	98.00	24060MB W33	24060MBK W33	2205.00	4455.00	477	684
	18.1102	6.2992	0.157	216.090			496130	1002380		
	500	160	5.0	131.00	23160MB W33	23160MBK W33	2421.00	4365.00	450	639
	19.6850	6.2992	0.157	288.855			544730	982130		
	500	200	5.0	161.00	24160MB W33	24160MBK W33	2970.00	5760.00	450	639
	19.6850	7.8740	0.157	355.005			668250	1296000		
	540	140	5.0	141.00	22260MB W33	22260MBK W33	2403.00	3915.00	459	657
	21.2598	5.5118	0.157	310.905			540680	880880		
540	192	5.0	193.00	23260MB W33	23260MBK W33	3105.00	5400.00	414	594	
21.2598	7.5590	0.157	425.365			698630	1215000			
620	185	7.5	270.00	22360MB W33	22360MBK W33	3240.00	4860.00	414	594	
24.4094	7.2834	0.295	595.350			729000	1093500			