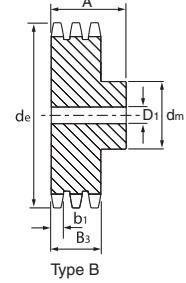
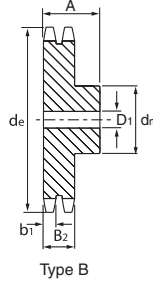
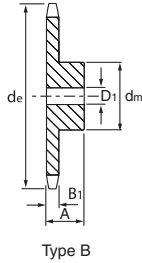


# ANSI Pilot Bore Sprockets

## ANSI Pilot Bore Sprockets (all C45 steel construction)

35 3/8" pitch



Teeth	Outer Dia de	Simplex					Duplex						Triplex						
		Hub Dia dm	Length thro' Bore A	B1	Stock Bore D1	Type	Hub Dia dm	Length thro' Bore A	b1	B2	Stock Bore D1	Type	Hub Dia dm	Length thro' Bore A	b1	B3	Stock Bore D1	Type	
8	1.13	3/4*	3/4	0.168	3/8	B	-	-	-	-	-	-	-	-	-	-	-	-	-
9	1.26	27/32*	3/4	0.168	3/8	B	-	-	-	-	-	-	-	-	-	-	-	-	-
10	1.38	31/32*	3/4	0.168	3/8	B	-	-	-	-	-	-	-	-	-	-	-	-	-
11	1.50	1.1/16*	3/4	0.168	3/8	B	-	-	-	-	-	-	-	-	-	-	-	-	-
12	1.63	1.7/32*	3/4	0.168	1/2	B	63/64	1.1/4	0.162	0.561	1/2	B	-	-	-	-	-	-	-
13	1.75	1.1/4*	3/4	0.168	1/2	B	1.7/64	1.1/4	0.162	0.561	1/2	B	1.7/64	1.3/4	0.162	0.960	1/2	B	
14	1.87	1.1/4	3/4	0.168	1/2	B	1.1/4	1.1/4	0.162	0.561	1/2	B	1.1/4	1.3/4	0.162	0.960	1/2	B	
15	1.99	1.11/32	3/4	0.168	1/2	B	1.13/32	1.1/4	0.162	0.561	1/2	B	1.13/32	1.3/4	0.162	0.960	1/2	B	
16	2.11	1.15/32	3/4	0.168	1/2	B	1.15/32	1.1/4	0.162	0.561	1/2	B	1.15/32	1.3/4	0.162	0.960	1/2	B	
17	2.23	1.19/32	3/4	0.168	1/2	B	1.19/32	1.1/4	0.162	0.561	1/2	B	1.19/32	1.3/4	0.162	0.960	1/2	B	
18	2.35	1.23/32	3/4	0.168	1/2	B	1.23/32	1.1/4	0.162	0.561	1/2	B	1.23/32	1.3/4	0.162	0.960	1/2	B	
19	2.47	1.27/32	3/4	0.168	1/2	B	1.7/8	1.1/4	0.162	0.561	1/2	B	1.7/8	1.3/4	0.162	0.960	1/2	B	
20	2.59	1.15/16	3/4	0.168	1/2	B	1.15/16	1.3/8	0.162	0.561	3/4	B	1.15/16	1.7/8	0.162	0.960	3/4	B	
21	2.71	2	7/8	0.168	1/2	B	2.1/16	1.3/8	0.162	0.561	3/4	B	2.1/16	1.7/8	0.162	0.960	3/4	B	
22	2.83	2	7/8	0.168	1/2	B	2.3/16	1.3/8	0.162	0.561	3/4	B	2.3/16	1.7/8	0.162	0.960	3/4	B	
23	2.95	2	7/8	0.168	1/2	B	2.1/4	1.3/8	0.162	0.561	3/4	B	2.1/4	1.7/8	0.162	0.960	3/4	B	
24	3.07	2	7/8	0.168	1/2	B	2.1/4	1.3/8	0.162	0.561	3/4	B	2.1/4	1.7/8	0.162	0.960	3/4	B	
25	3.19	2	7/8	0.168	1/2	B	2.1/4	1.3/8	0.162	0.561	3/4	B	2.1/4	1.7/8	0.162	0.960	3/4	B	
26	3.31	2	7/8	0.168	1/2	B	2.1/2	1.3/8	0.162	0.561	3/4	B	2.1/2	1.7/8	0.162	0.960	3/4	B	
27	3.43	2	7/8	0.168	1/2	B	-	-	-	-	-	-	-	-	-	-	-	-	
28	3.55	2	7/8	0.168	1/2	B	-	-	-	-	-	-	-	-	-	-	-	-	
30	3.79	2	7/8	0.168	1/2	B	2.1/2	1.3/8	0.162	0.561	3/4	B	2.1/2	1.7/8	0.162	0.960	3/4	B	
32	4.03	2	7/8	0.168	1/2	B	-	-	-	-	-	-	-	-	-	-	-	-	
35	4.39	2.1/4	7/8	0.168	5/8	B	-	-	-	-	-	-	-	-	-	-	-	-	
36	4.51	2.1/4	7/8	0.168	5/8	B	2.1/2	1.3/8	0.162	0.561	3/4	B	2.1/2	1.7/8	0.162	0.960	3/4	B	
40	4.99	2.1/4	1	0.168	5/8	B	-	-	-	-	-	-	-	-	-	-	-	-	
42	5.23	2.1/4	1	0.168	5/8	B	2.1/2	1.3/8	0.162	0.561	3/4	B	2.1/2	1.7/8	0.162	0.960	3/4	B	
45	5.59	2.1/4	1	0.168	5/8	B	-	-	-	-	-	-	-	-	-	-	-	-	
48	5.95	2.1/4	1	0.168	5/8	B	2.1/2	1.3/8	0.162	0.561	3/4	B	2.1/2	1.7/8	0.162	0.960	3/4	B	
52	6.43	-	-	-	-	-	2.1/2	1.3/8	0.162	0.561	3/4	B	2.1/2	1.7/8	0.162	0.960	3/4	B	
54	6.66	2.1/4	1	0.168	5/8	B	-	-	-	-	-	-	-	-	-	-	-	-	
60	7.38	2.1/4	1	0.168	3/4	B	2.1/2	1.3/8	0.162	0.561	3/4	B	2.1/2	1.7/8	0.162	0.960	3/4	B	
68	8.34	-	-	-	-	-	3.1/2	1.1/2	0.162	0.561	3/4	B	3.1/2	1.7/8	0.162	0.960	3/4	B	
70	8.58	2.1/4	1	0.168	3/4	B	-	-	-	-	-	-	-	-	-	-	-	-	
72	8.81	2.1/4	1	0.168	3/4	B	3.1/2	1.1/2	0.162	0.561	3/4	B	3.1/2	1.7/8	0.162	0.960	3/4	B	
76	9.29	-	-	-	-	-	3.1/2	1.1/2	0.162	0.561	3/4	B	3.1/2	1.7/8	0.162	0.960	3/4	B	
80	9.77	2.1/4	1	0.168	3/4	B	-	-	-	-	-	-	-	-	-	-	-	-	
84	10.25	2.1/4	1	0.168	3/4	B	3.1/2	1.1/2	0.162	0.561	3/4	B	3.1/2	1.7/8	0.162	0.960	3/4	B	
95	11.56	-	-	-	-	-	3.1/2	1.1/2	0.162	0.561	1	B	3.3/4	2.1/8	0.162	0.960	1	B	
96	11.68	2.1/4	1	0.168	3/4	B	3.1/2	1.1/2	0.162	0.561	1	B	3.3/4	2.1/8	0.162	0.960	1	B	
102	12.40	-	-	-	-	-	3.1/2	1.1/2	0.162	0.561	1	B	3.3/4	2.1/8	0.162	0.960	1	B	
112	13.59	2.1/4	1	0.168	3/4	B	-	-	-	-	-	-	-	-	-	-	-	-	

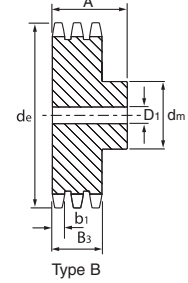
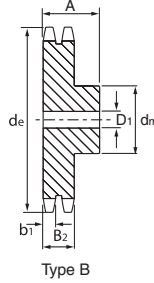
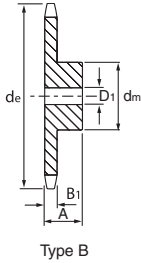
The full range of sprockets are also available with hardened teeth - contact CHALLENGE for further details

\* has a recessed groove in the hub for chain clearance

# ANSI Pilot Bore Sprockets

## ANSI Pilot Bore Sprockets (all C45 steel construction)

40 1/2" pitch



Teeth	Outer Dia de	Simplex					Duplex					Triplex							
		Hub Dia dm	Length thro' Bore A	B1	Stock Bore D1	Type	Hub Dia dm	Length thro' Bore A	b1	B2	Stock Bore D1	Type	Hub Dia dm	Length thro' Bore A	b1	B3	Stock Bore D1	Type	
8	1.51	63/64*	7/8	0.284	1/2	B	-	-	-	-	-	-	-	-	-	-	-	-	-
9	1.67	1.1/16*	7/8	0.284	1/2	B	-	-	-	-	-	-	-	-	-	-	-	-	-
10	1.84	1.1/4*	7/8	0.284	1/2	B	-	-	-	-	-	-	-	-	-	-	-	-	-
11	2.00	1.3/8*	7/8	0.284	1/2	B	1.7/16*	1.1/2	0.275	0.841	1/2	B	1.7/16*	2.1/8	0.275	1.407	1/2	B	B
12	2.17	1.9/16*	7/8	0.284	1/2	B	1.9/16*	1.1/2	0.275	0.841	1/2	B	1.9/16*	2.1/8	0.275	1.407	1/2	B	B
13	2.33	1.9/16	7/8	0.284	1/2	B	1.1/2	1.1/2	0.275	0.841	1/2	B	1.1/2	2.1/8	0.275	1.407	1/2	B	B
14	2.49	1.11/16	7/8	0.284	1/2	B	1.11/16	1.1/2	0.275	0.841	1/2	B	1.11/16	2.1/8	0.275	1.407	1/2	B	B
15	2.65	1.13/16	7/8	0.284	1/2	B	1.13/16	1.1/2	0.275	0.841	1/2	B	1.13/16	2.1/8	0.275	1.407	1/2	B	B
16	2.81	2	7/8	0.284	5/8	B	2	1.1/2	0.275	0.841	5/8	B	2	2.1/8	0.275	1.407	5/8	B	B
17	2.98	2.1/8	1	0.284	5/8	B	2.1/8	1.1/2	0.275	0.841	5/8	B	2.1/8	2.1/8	0.275	1.407	5/8	B	B
18	3.14	2.5/16	1	0.284	5/8	B	2.5/16	1.1/2	0.275	0.841	5/8	B	2.5/16	2.1/8	0.275	1.407	5/8	B	B
19	3.30	2.1/2	1	0.284	5/8	B	2.1/2	1.1/2	0.275	0.841	5/8	B	2.1/2	2.1/8	0.275	1.407	5/8	B	B
20	3.46	2.5/8	1	0.284	5/8	B	2.5/8	1.5/8	0.275	0.841	5/8	B	2.5/8	2.1/4	0.275	1.407	5/8	B	B
21	3.62	2.3/4	1	0.284	5/8	B	2.3/4	1.5/8	0.275	0.841	5/8	B	2.3/4	2.1/4	0.275	1.407	5/8	B	B
22	3.78	2.7/8	1	0.284	5/8	B	2.7/8	1.5/8	0.275	0.841	5/8	B	2.7/8	2.1/4	0.275	1.407	5/8	B	B
23	3.94	3	1	0.284	5/8	B	3	1.5/8	0.275	0.841	5/8	B	3	2.1/4	0.275	1.407	5/8	B	B
24	4.10	3.1/4	1	0.284	5/8	B	3.1/4	1.5/8	0.275	0.841	5/8	B	3.1/4	2.1/4	0.275	1.407	5/8	B	B
25	4.26	3.1/4	1	0.284	5/8	B	3.1/4	1.5/8	0.275	0.841	5/8	B	3.1/4	2.1/4	0.275	1.407	5/8	B	B
26	4.42	3.1/4	1	0.284	5/8	B	3.1/4	1.5/8	0.275	0.841	5/8	B	3.1/4	2.1/4	0.275	1.407	5/8	B	B
27	4.58	3.1/4	1	0.284	5/8	B	-	-	-	-	-	-	-	-	-	-	-	-	-
28	4.74	3.1/4	1	0.284	5/8	B	-	-	-	-	-	-	-	-	-	-	-	-	-
29	4.90	3.1/4	1	0.284	5/8	B	-	-	-	-	-	-	-	-	-	-	-	-	-
30	5.06	3.1/4	1	0.284	5/8	B	3.1/4	1.5/8	0.275	0.841	7/8	B	3.1/4	2.1/4	0.275	1.407	7/8	B	B
31	5.22	3.1/4	1	0.284	5/8	B	-	-	-	-	-	-	-	-	-	-	-	-	-
32	5.38	3.1/4	1	0.284	5/8	B	-	-	-	-	-	-	-	-	-	-	-	-	-
33	5.54	3.1/4	1	0.284	5/8	B	-	-	-	-	-	-	-	-	-	-	-	-	-
34	5.70	3.1/4	1	0.284	5/8	B	-	-	-	-	-	-	-	-	-	-	-	-	-
35	5.86	3.1/4	1	0.284	5/8	B	3.1/4	1.5/8	0.275	0.841	7/8	B	3.1/4	2.1/4	0.275	1.407	7/8	B	B
36	6.02	3.1/4	1	0.284	5/8	B	3.3/4	1.5/8	0.275	0.841	15/16	B	3.3/4	2.3/8	0.275	1.407	15/16	B	B
37	6.18	3.1/4	1	0.284	5/8	B	-	-	-	-	-	-	-	-	-	-	-	-	-
38	6.33	3.1/4	1	0.284	5/8	B	-	-	-	-	-	-	-	-	-	-	-	-	-
39	6.49	3.1/4	1	0.284	5/8	B	-	-	-	-	-	-	-	-	-	-	-	-	-
40	6.65	3.1/2	1.1/8	0.284	3/4	B	3.3/4	1.3/4	0.275	0.841	15/16	B	-	-	-	-	-	-	-
41	6.81	3.1/2	1.1/8	0.284	3/4	B	-	-	-	-	-	-	-	-	-	-	-	-	-
42	6.97	3.1/2	1.1/8	0.284	3/4	B	3.3/4	1.3/4	0.275	0.841	15/16	B	3.3/4	2.3/8	0.275	1.407	15/16	B	B
43	7.13	3.1/2	1.1/8	0.284	3/4	B	-	-	-	-	-	-	-	-	-	-	-	-	-
44	7.29	3.1/2	1.1/8	0.284	3/4	B	-	-	-	-	-	-	-	-	-	-	-	-	-
45	7.45	3.1/2	1.1/8	0.284	3/4	B	3.3/4	1.3/4	0.275	0.841	15/16	B	-	-	-	-	-	-	-
46	7.61	3.1/2	1.1/8	0.284	3/4	B	-	-	-	-	-	-	-	-	-	-	-	-	-
47	7.77	3.1/2	1.1/8	0.284	3/4	B	-	-	-	-	-	-	-	-	-	-	-	-	-
48	7.93	3.1/2	1.1/8	0.284	3/4	B	3.3/4	1.3/4	0.275	0.841	15/16	B	3.3/4	2.3/8	0.275	1.407	15/16	B	B
49	8.09	3.1/2	1.1/8	0.284	3/4	B	-	-	-	-	-	-	-	-	-	-	-	-	-
50	8.25	3.1/2	1.1/8	0.284	3/4	B	-	-	-	-	-	-	-	-	-	-	-	-	-
51	8.41	3.1/2	1.1/8	0.284	3/4	B	-	-	-	-	-	-	-	-	-	-	-	-	-
52	8.57	3.1/2	1.1/8	0.284	3/4	B	3.3/4	1.3/4	0.275	0.841	15/16	B	3.3/4	2.3/8	0.275	1.407	15/16	B	B
53	8.73	3.1/2	1.1/8	0.284	3/4	B	-	-	-	-	-	-	-	-	-	-	-	-	-
54	8.89	3.1/2	1.1/8	0.284	3/4	B	3.3/4	1.3/4	0.275	0.841	15/16	B	-	-	-	-	-	-	-
55	9.04	3.1/2	1.1/8	0.284	3/4	B	-	-	-	-	-	-	-	-	-	-	-	-	-
56	9.20	3.1/2	1.1/8	0.284	3/4	B	-	-	-	-	-	-	-	-	-	-	-	-	-
57	9.36	3.1/2	1.1/8	0.284	3/4	B	-	-	-	-	-	-	-	-	-	-	-	-	-
58	9.52	3.1/2	1.1/8	0.284	3/4	B	-	-	-	-	-	-	-	-	-	-	-	-	-
59	9.68	3.1/2	1.1/8	0.284	3/4	B	-	-	-	-	-	-	-	-	-	-	-	-	-
60	9.84	3.1/2	1.1/8	0.284	3/4	B	3.3/4	1.3/4	0.275	0.841	15/16	B	3.3/4	2.3/8	0.275	1.407	15/16	B	B
68	11.12	-	-	0.284	-	-	4.1/4	2.1/8	0.275	0.841	1.3/16	B	4	2.5/8	0.275	1.407	1.3/16	B	B
70	11.43	4	1.1/4	0.284	3/4	B	-	-	-	-	-	-	-	-	-	-	-	-	-
72	11.75	4	1.1/4	0.284	3/4	B	4.1/4	2.1/8	0.275	0.841	1.3/16	B	4	2.5/8	0.275	1.407	1.3/16	B	B
76	12.39	-	-	-	-	-	4.1/4	2.1/8	0.275	0.841	1.3/16	B	4	2.5/8	0.275	1.407	1.3/16	B	B
80	13.03	4	1.1/4	0.284	3/4	B	-	-	-	-	-	-	-	-	-	-	-	-	-
84	13.66	4	1.1/4	0.284	3/4	B	4.1/4	2.1/8	0.275	0.841	1.3/16	B	4.1/4	2.3/4	0.275	1.407	1.3/16	B	B
95	15.41	-	-	-	-	-	4.1/4	2.1/8	0.275	0.841	1.3/16	B	4.1/4	2.3/4	0.275	1.407	1.3/16	B	B
96	15.57	4	1.1/4	0.284	1	B	4.1/4	2.1/8	0.275	0.841	1.3/16	B	-	-	-	-	-	-	-
102	16.53	-	-	-	-	-	4.1/4	2.1/8	0.275	0.841	1.3/16	B	4.1/4	2.3/4	0.275	1.407	1.3/16	B	B
112	18.12	4	1.1/4	0.284	1	B	4.1/4	2.1/8	0.275	0.841	1.3/16	B	-	-	-	-	-	-	-

The full range of sprockets are also available with hardened teeth - contact CHALLENGE for further details

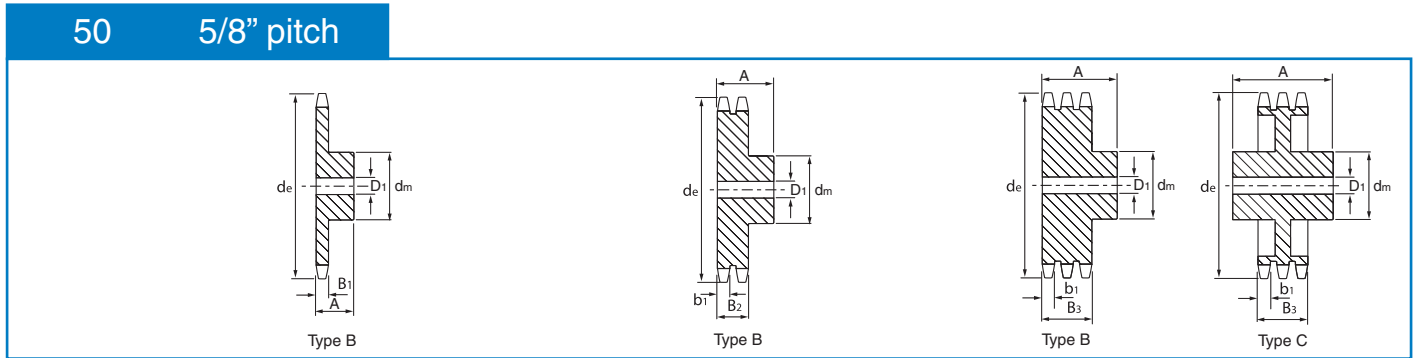
\* has a recessed groove in the hub for chain clearance

Every effort has been taken to ensure that the data listed in this catalogue is correct. Challenge accepts no liability for any inaccuracies or damage caused.

All dimensions in inches unless otherwise stated.

# ANSI Pilot Bore Sprockets

## ANSI Pilot Bore Sprockets (all C45 steel construction)



Teeth	Outer Dia de	Simplex					Duplex					Triplex							
		Hub Dia dm	Length thro' Bore A	B1	Stock Bore D1	Type	Hub Dia dm	Length thro' Bore A	b1	B2	Stock Bore D1	Type	Hub Dia dm	Length thro' Bore A	b1	B3	Stock Bore D1	Type	
8	1.88	1.1/8*	1	0.343	5/8	B	-	-	-	-	-	-	-	-	-	-	-	-	-
9	2.09	1.3/8*	1	0.343	5/8	B	-	-	-	-	-	-	-	-	-	-	-	-	-
10	2.30	1.9/16*	1	0.343	5/8	B	-	-	-	-	-	-	-	-	-	-	-	-	-
11	2.50	1.3/4*	1	0.343	5/8	B	1.15/32	1.3/4	0.332	1.045	5/8	B	1.15/32	2.1/2	0.332	1.758	5/8	B	B
12	2.71	1.63/64*	1	0.343	5/8	B	1.11/16	1.3/4	0.332	1.045	5/8	B	1.11/16	2.1/2	0.332	1.758	5/8	B	B
13	2.91	1.7/8	1	0.343	5/8	B	1.7/8	1.3/4	0.332	1.045	5/8	B	1.7/8	2.1/2	0.332	1.758	5/8	B	B
14	3.11	2.1/8	1	0.343	5/8	B	2.1/16	1.3/4	0.332	1.045	5/8	B	2.1/16	2.1/2	0.332	1.758	5/8	B	B
15	3.32	2.3/8	1	0.343	5/8	B	2.5/16	1.3/4	0.332	1.045	3/4	B	2.5/16	2.1/2	0.332	1.758	3/4	B	B
16	3.52	2.1/2	1	0.343	5/8	B	2.1/2	1.3/4	0.332	1.045	3/4	B	2.1/2	2.1/2	0.332	1.758	3/4	B	B
17	3.72	2.11/16	1	0.343	5/8	B	2.11/16	1.3/4	0.332	1.045	3/4	B	2.11/16	2.1/2	0.332	1.758	3/4	B	B
18	3.92	2.7/8	1	0.343	5/8	B	2.15/16	1.3/4	0.332	1.045	3/4	B	2.15/16	2.1/2	0.332	1.758	3/4	B	B
19	4.12	3	1	0.343	5/8	B	3.1/8	1.3/4	0.332	1.045	1	B	3.1/8	2.1/2	0.332	1.758	1	B	B
20	4.32	3	1	0.343	3/4	B	3.1/4	1.3/4	0.332	1.045	1	B	3.1/4	2.5/8	0.332	1.758	1	B	B
21	4.52	3	1	0.343	3/4	B	3.1/2	1.3/4	0.332	1.045	1	B	3.1/2	2.5/8	0.332	1.758	1	B	B
22	4.72	3	1	0.343	3/4	B	3.9/16	1.7/8	0.332	1.045	1	B	3.9/16	2.5/8	0.332	1.758	1	B	B
23	4.92	3	1	0.343	3/4	B	3.5/8	1.7/8	0.332	1.045	1	B	3.5/8	2.5/8	0.332	1.758	1	B	B
24	5.12	3	1.1/4	0.343	3/4	B	3.5/8	1.7/8	0.332	1.045	1	B	3.5/8	2.5/8	0.332	1.758	1	B	B
25	5.32	3	1.1/4	0.343	3/4	B	3.5/8	1.7/8	0.332	1.045	1	B	3.5/8	2.5/8	0.332	1.758	1	B	B
26	5.52	3	1.1/4	0.343	3/4	B	3.3/4	1.7/8	0.332	1.045	1	B	3.3/4	2.5/8	0.332	1.758	1	B	B
27	5.72	3	1.1/4	0.343	3/4	B	-	-	-	-	-	-	-	-	-	-	-	-	-
28	5.92	3	1.1/4	0.343	3/4	B	-	-	-	-	-	-	-	-	-	-	-	-	-
29	6.12	3	1.1/4	0.343	3/4	B	-	-	-	-	-	-	-	-	-	-	-	-	-
30	6.32	3.1/4	1.1/4	0.343	3/4	B	3.3/4	1.7/8	0.332	1.045	1	B	3.3/4	2.5/8	0.332	1.758	1	B	B
31	6.52	3.1/4	1.1/4	0.343	3/4	B	-	-	-	-	-	-	-	-	-	-	-	-	-
32	6.72	3.1/4	1.1/4	0.343	3/4	B	3.3/4	1.7/8	0.332	1.045	1	B	-	-	-	-	-	-	-
33	6.92	3.1/4	1.1/4	0.343	3/4	B	-	-	-	-	-	-	-	-	-	-	-	-	-
34	7.12	3.1/4	1.1/4	0.343	3/4	B	-	-	-	-	-	-	-	-	-	-	-	-	-
35	7.32	3.1/4	1.1/4	0.343	3/4	B	3.3/4	1.7/8	0.332	1.045	1	B	3.3/4	2.5/8	0.332	1.758	1	B	B
36	7.52	3.1/4	1.1/4	0.343	3/4	B	4	2.1/8	0.332	1.045	1.3/16	B	4	2.3/4	0.332	1.758	1.3/16	B	B
37	7.72	3.1/4	1.1/4	0.343	3/4	B	-	-	-	-	-	-	-	-	-	-	-	-	-
38	7.92	3.1/4	1.1/4	0.343	3/4	B	-	-	-	-	-	-	-	-	-	-	-	-	-
39	8.12	3.1/4	1.1/4	0.343	3/4	B	-	-	-	-	-	-	-	-	-	-	-	-	-
40	8.32	3.1/4	1.1/4	0.343	3/4	B	4	2.1/8	0.332	1.045	1.3/16	B	-	-	-	-	-	-	-
41	8.52	3.1/4	1.1/4	0.343	3/4	B	-	-	-	-	-	-	-	-	-	-	-	-	-
42	8.72	3.1/4	1.1/4	0.343	3/4	B	4	2.1/8	0.332	1.045	1.3/16	B	4	2.3/4	0.332	1.758	1.3/16	B	B
43	8.91	3.1/4	1.1/4	0.343	3/4	B	-	-	-	-	-	-	-	-	-	-	-	-	-
44	9.11	3.1/4	1.1/4	0.343	3/4	B	-	-	-	-	-	-	-	-	-	-	-	-	-
45	9.31	3.3/4	1.1/4	0.343	3/4	B	4	2.1/8	0.332	1.045	1.3/16	B	-	-	-	-	-	-	-
46	9.51	3.3/4	1.1/4	0.343	1	B	-	-	-	-	-	-	-	-	-	-	-	-	-
47	9.71	3.3/4	1.1/4	0.343	1	B	-	-	-	-	-	-	-	-	-	-	-	-	-
48	9.91	3.3/4	1.1/4	0.343	1	B	4.1/4	2.3/8	0.332	1.045	1.3/16	B	4	3.1/8	0.332	1.758	1.3/16	B	B
49	10.11	3.3/4	1.1/4	0.343	1	B	-	-	-	-	-	-	-	-	-	-	-	-	-
50	10.31	3.3/4	1.1/4	0.343	1	B	-	-	-	-	-	-	-	-	-	-	-	-	-
51	10.51	3.3/4	1.1/4	0.343	1	B	-	-	-	-	-	-	-	-	-	-	-	-	-
52	10.71	3.3/4	1.1/4	0.343	1	B	4.1/4	2.3/8	0.332	1.045	1.3/16	B	4	3.1/8	0.332	1.758	1.3/16	B	B
53	10.91	3.3/4	1.1/4	0.343	1	B	-	-	-	-	-	-	-	-	-	-	-	-	-
54	11.11	3.3/4	1.1/4	0.343	1	B	4.1/4	2.3/8	0.332	1.045	1.3/16	B	-	-	-	-	-	-	-
55	11.31	3.3/4	1.1/4	0.343	1	B	-	-	-	-	-	-	-	-	-	-	-	-	-
56	11.50	3.3/4	1.1/4	0.343	1	B	-	-	-	-	-	-	-	-	-	-	-	-	-
57	11.70	3.3/4	1.1/4	0.343	1	B	-	-	-	-	-	-	-	-	-	-	-	-	-
58	11.90	3.3/4	1.1/4	0.343	1	B	-	-	-	-	-	-	-	-	-	-	-	-	-
59	12.10	3.3/4	1.1/4	0.343	1	B	-	-	-	-	-	-	-	-	-	-	-	-	-
60	12.30	3.3/4	1.1/4	0.343	1	B	4.1/2	2.3/8	0.332	1.045	1.5/16	B	4.1/2	3.1/8	0.332	1.758	1.5/16	B	B
68	13.89	-	-	-	-	-	4.1/2	2.3/8	0.332	1.045	1.5/16	B	4.1/2	3.1/8	0.332	1.758	1.5/16	B	B
70	14.29	3.3/4	1.3/4	0.343	1	B	-	-	-	-	-	-	-	-	-	-	-	-	-
72	14.69	3.3/4	1.3/4	0.343	1	B	4.1/2	2.3/8	0.332	1.045	1.5/16	B	4.3/4	3.1/2	0.332	1.758	1.5/16	C	C
76	15.49	3.3/4	1.3/4	0.343	1	B	4.1/2	2.3/8	0.332	1.045	1.5/16	B	4.3/4	3.1/2	0.332	1.758	1.5/16	C	C
80	16.28	4.1/4	1.3/4	0.343	1	B	-	-	-	-	-	-	-	-	-	-	-	-	-
84	17.08	4.1/4	1.3/4	0.343	1	B	4.1/2	2.3/8	0.332	1.045	1.5/16	B	4.3/4	3.1/2	0.332	1.758	1.5/16	C	C
95	19.27	4.1/4	1.3/4	0.343	1	B	4.1/2	2.3/8	0.332	1.045	1.5/16	B	4.3/4	3.3/4	0.332	1.758	1.5/16	C	C
96	19.47	4.1/4	1.3/4	0.343	1	B	4.1/2	2.3/8	0.332	1.045	1.5/16	B	-	-	-	-	-	-	-
102	20.66	-	-	-	-	-	4.1/2	2.3/8	0.332	1.045	1.5/16	B	4.3/4	3.3/4	0.332	1.758	1.5/16	C	C
112	22.65	4.1/4	1.3/4	0.343	1	B	5.1/4	2.3/8	0.332	1.045	1.5/16	B	-	-	-	-	-	-	-

The full range of sprockets are also available with hardened teeth - contact CHALLENGE for further details

\* has a recessed groove in the hub for chain clearance

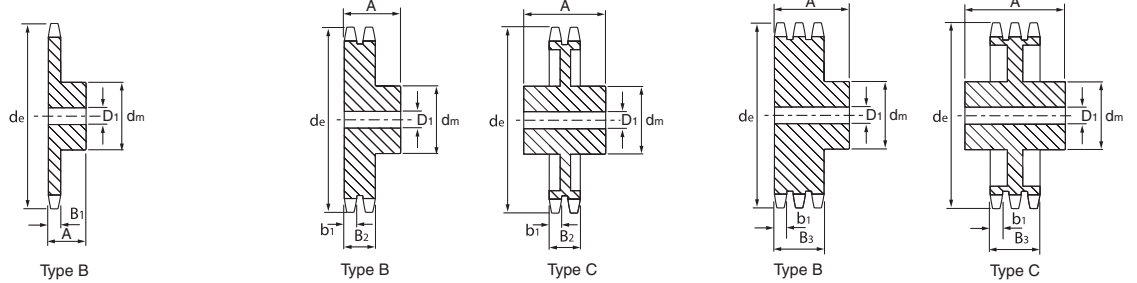
All dimensions in inches unless otherwise stated.

Every effort has been taken to ensure that the data listed in this catalogue is correct. Challenge accepts no liability for any inaccuracies or damage caused.

# ANSI Pilot Bore Sprockets

## ANSI Pilot Bore Sprockets (all C45 steel construction)

60 3/4" pitch



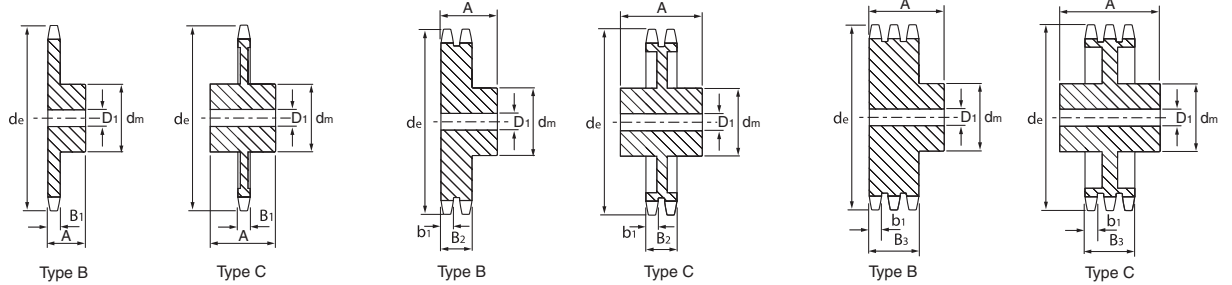
Teeth	Outer Dia de	Simplex					Duplex					Triplex							
		Hub Dia dm	Length thro' Bore A	B1	Stock Bore D1	Type	Hub Dia dm	Length thro' Bore A	b1	B2	Stock Bore D1	Type	Hub Dia dm	Length thro' Bore A	b1	B3	Stock Bore D1	Type	
8	2.26	1.15/32*	1.1/4	0.459	5/8	B	-	-	-	-	-	-	-	-	-	-	-	-	-
9	2.51	1.9/16*	1.1/4	0.459	3/4	B	-	-	-	-	-	-	-	-	-	-	-	-	-
10	2.76	1.15/16*	1.1/4	0.459	3/4	B	-	-	-	-	-	-	-	-	-	-	-	-	-
11	3.00	2.1/16*	1.1/4	0.459	3/4	B	1.13/16	2.1/8	0.444	1.341	1	B	1.13/16	3	0.444	2.238	1	B	B
12	3.25	2.3/8*	1.1/4	0.459	3/4	B	2.1/8	2.1/8	0.444	1.341	1	B	2.1/8	3	0.444	2.238	1	B	B
13	3.49	2.11/32	1.1/4	0.459	3/4	B	2.1/4	2.1/8	0.444	1.341	1	B	2.1/4	3	0.444	2.238	1	B	B
14	3.74	2.9/16	1.1/4	0.459	3/4	B	2.1/2	2.1/8	0.444	1.341	1	B	2.1/2	3	0.444	2.238	1	B	B
15	3.98	2.7/8	1.1/4	0.459	3/4	B	2.13/16	2.1/8	0.444	1.341	1	B	2.13/16	3	0.444	2.238	1	B	B
16	4.22	3.1/16	1.1/4	0.459	3/4	B	3	2.1/8	0.444	1.341	1	B	3	3	0.444	2.238	1	B	B
17	4.46	3.1/4	1.1/4	0.459	3/4	B	3.1/4	2.1/8	0.444	1.341	1	B	3.1/4	3	0.444	2.238	1	B	B
18	4.70	3.1/2	1.1/4	0.459	3/4	B	3.1/2	2.1/8	0.444	1.341	1	B	3.1/2	3	0.444	2.238	1	B	B
19	4.95	3.1/2	1.1/4	0.459	3/4	B	3.11/16	2.1/8	0.444	1.341	1	B	3.11/16	3	0.444	2.238	1	B	B
20	5.19	3.7/8	1.1/4	0.459	3/4	B	3.3/4	2.1/8	0.444	1.341	1	B	3.3/4	3	0.444	2.238	1	B	B
21	5.43	4	1.1/4	0.459	3/4	B	4.1/8	2.1/8	0.444	1.341	1	B	4.1/8	3	0.444	2.238	1	B	B
22	5.67	4	1.1/4	0.459	3/4	B	4.1/4	2.1/8	0.444	1.341	1	B	4.1/4	3	0.444	2.238	1	B	B
23	5.91	4	1.1/4	0.459	3/4	B	4.1/4	2.1/8	0.444	1.341	1	B	4.1/4	3	0.444	2.238	1	B	B
24	6.15	4	1.1/4	0.459	3/4	B	4.1/4	2.1/8	0.444	1.341	1	B	4.1/4	3	0.444	2.238	1	B	B
25	6.39	4	1.1/4	0.459	3/4	B	4.1/4	2.1/8	0.444	1.341	1	B	4.1/4	3	0.444	2.238	1	B	B
26	6.63	4	1.1/4	0.459	3/4	B	4.1/4	2.1/8	0.444	1.341	1	B	4.1/4	3	0.444	2.238	1	B	B
27	6.87	4	1.1/4	0.459	3/4	B	-	-	-	-	-	-	-	-	-	-	-	-	-
28	7.11	4	1.1/4	0.459	3/4	B	-	-	-	-	-	-	-	-	-	-	-	-	-
29	7.35	4	1.1/4	0.459	3/4	B	-	-	-	-	-	-	-	-	-	-	-	-	-
30	7.59	4	1.1/4	0.459	3/4	B	4.1/4	2.1/8	0.444	1.341	1	B	4.1/4	3	0.444	2.238	1	B	B
31	7.83	4	1.1/4	0.459	3/4	B	-	-	-	-	-	-	-	-	-	-	-	-	-
32	8.07	4	1.1/4	0.459	3/4	B	4.1/2	2.3/8	0.444	1.341	1.1/4	B	-	-	-	-	-	-	-
33	8.30	4	1.1/4	0.459	1	B	-	-	-	-	-	-	-	-	-	-	-	-	-
34	8.54	4	1.1/4	0.459	1	B	-	-	-	-	-	-	-	-	-	-	-	-	-
35	8.78	4	1.1/4	0.459	1	B	4.1/2	2.3/8	0.444	1.341	1.1/4	B	4.1/2	3.1/4	0.444	2.238	1.1/4	B	B
36	9.02	4	1.1/4	0.459	1	B	4.1/2	2.3/8	0.444	1.341	1.1/4	B	4.1/2	3.1/4	0.444	2.238	1.1/4	B	B
37	9.26	4	1.1/4	0.459	1	B	-	-	-	-	-	-	-	-	-	-	-	-	-
38	9.50	4.1/4	1.1/4	0.459	1	B	-	-	-	-	-	-	-	-	-	-	-	-	-
39	9.74	4.1/4	1.1/4	0.459	1	B	-	-	-	-	-	-	-	-	-	-	-	-	-
40	9.98	4.1/4	1.1/4	0.459	1	B	4.3/4	2.3/4	0.444	1.341	1.1/4	B	-	-	-	-	-	-	-
41	10.22	4.1/4	1.1/4	0.459	1	B	-	-	-	-	-	-	-	-	-	-	-	-	-
42	10.46	4.1/4	1.1/4	0.459	1	B	4.3/4	2.3/4	0.444	1.341	1.1/4	B	4.3/4	3.5/8	0.444	2.238	1.1/4	B	B
43	10.70	4.1/4	1.1/4	0.459	1	B	-	-	-	-	-	-	-	-	-	-	-	-	-
44	10.94	4.1/4	1.1/4	0.459	15/16	B	-	-	-	-	-	-	-	-	-	-	-	-	-
45	11.18	4.1/4	1.1/4	0.459	15/16	B	4.3/4	2.3/4	0.444	1.341	1.1/4	B	4.3/4	3.5/8	0.444	2.238	1.1/4	B	B
46	11.42	4.1/4	1.1/4	0.459	15/16	B	-	-	-	-	-	-	-	-	-	-	-	-	-
47	11.65	4.1/4	1.1/4	0.459	15/16	B	-	-	-	-	-	-	-	-	-	-	-	-	-
48	11.89	4.1/4	1.1/4	0.459	15/16	B	-	-	-	-	-	-	-	-	-	-	-	-	-
49	12.13	4.1/4	1.1/4	0.459	15/16	B	-	-	-	-	-	-	-	-	-	-	-	-	-
50	12.37	4.1/4	1.1/4	0.459	15/16	B	-	-	-	-	-	-	-	-	-	-	-	-	-
51	12.61	4.1/4	1.1/4	0.459	15/16	B	-	-	-	-	-	-	-	-	-	-	-	-	-
52	12.85	4.1/4	1.1/4	0.459	15/16	B	4.3/4	2.3/4	0.444	1.341	1.1/4	B	4.3/4	3.1/2	0.444	2.238	1.1/4	C	C
53	13.09	4.1/4	1.1/4	0.459	15/16	B	-	-	-	-	-	-	-	-	-	-	-	-	-
54	13.33	4.1/4	1.3/4	0.459	15/16	B	-	-	-	-	-	-	-	-	-	-	-	-	-
55	13.57	4.1/4	1.3/4	0.459	1.1/4	B	-	-	-	-	-	-	-	-	-	-	-	-	-
56	13.81	4.1/4	1.3/4	0.459	1.1/4	B	-	-	-	-	-	-	-	-	-	-	-	-	-
57	14.04	4.1/4	1.3/4	0.459	1.1/4	B	-	-	-	-	-	-	-	-	-	-	-	-	-
58	14.28	4.1/4	1.3/4	0.459	1.1/4	B	-	-	-	-	-	-	-	-	-	-	-	-	-
59	14.52	4.1/4	1.3/4	0.459	1.1/4	B	-	-	-	-	-	-	-	-	-	-	-	-	-
60	14.76	4.1/4	1.3/4	0.459	1.1/4	B	4.3/4	2.3/4	0.444	1.341	1.1/4	B	4.3/4	3.1/2	0.444	2.238	1.1/4	C	C
64	15.72	4.1/4	1.3/4	0.459	1.1/4	B	-	-	-	-	-	-	-	-	-	-	-	-	-
65	15.96	4.1/4	1.3/4	0.459	1.1/4	B	-	-	-	-	-	-	-	-	-	-	-	-	-
68	16.67	4.1/4	1.3/4	0.459	1.1/4	B	5	3	0.444	1.341	1.1/4	C	5	3.1/2	0.444	2.238	1.1/4	C	C
70	17.15	4.1/4	1.3/4	0.459	1.1/4	B	-	-	-	-	-	-	-	-	-	-	-	-	-
72	17.63	4.1/4	2	0.459	1.1/4	B	5	3	0.444	1.341	1.1/4	C	5	3.1/2	0.444	2.238	1.1/4	C	C
76	18.58	4.1/4	2	0.459	1.1/4	B	5	3	0.444	1.341	1.1/4	C	5.1/2	3.1/2	0.444	2.238	1.1/2	C	C
80	19.54	4.1/4	2	0.459	1.1/4	B	-	-	-	-	-	-	-	-	-	-	-	-	-
84	20.49	4.3/4	2	0.459	1.1/4	B	-	-	-	-	-	-	-	-	-	-	-	-	-
90	21.93	5	2.1/4	0.459	1.1/4	B	-	-	-	-	-	-	-	-	-	-	-	-	-
95	23.12	-	-	-	-	-	5.1/2	3.1/2	0.444	1.341	1.1/4	C	5.1/2	4	0.444	2.238	1.1/2	C	C
96	23.36	5.1/2	2.1/4	0.459	1.1/4	B	-	-	-	-	-	-	-	-	-	-	-	-	-
112	27.18	5.1/2	2.1/4	0.459	1.1/4	B	-	-	-	-	-	-	-	-	-	-	-	-	-

The full range of sprockets are also available with hardened teeth - contact CHALLENGE for further details \* has a recessed groove in the hub for chain clearance  
 Every effort has been taken to ensure that the data listed in this catalogue is correct. Challenge accepts no liability for any inaccuracies or damage caused. All dimensions in inches unless otherwise stated.

# ANSI Pilot Bore Sprockets

## ANSI Pilot Bore Sprockets (all C45 steel construction)

80 1" pitch



Teeth	Outer Dia de	Simplex					Duplex					Triplex							
		Hub Dia dm	Length thro' Bore A	B1	Stock Bore D1	Type	Hub Dia dm	Length thro' Bore A	b1	B2	Stock Bore D1	Type	Hub Dia dm	Length thro' Bore A	b1	B3	Stock Bore D1	Type	
8	3.01	1.15/16*	1.5/8	0.575	1	B	-	-	-	-	-	-	-	-	-	-	-	-	-
9	3.35	2.1/4*	1.5/8	0.575	1	B	-	-	-	-	-	-	-	-	-	-	-	-	-
10	3.68	2.9/16*	1.5/8	0.575	1	B	2.9/16*	2.3/4	0.557	1.710	1	B	2.1/2	3.5/8	0.557	2.863	1	B	
11	4.01	2.13/16*	1.5/8	0.575	1	B	2.1/2	2.1/2	0.557	1.710	1	B	2.27/32	3.5/8	0.557	2.863	1	B	
12	4.33	3.1/8*	1.5/8	0.575	1	B	2.27/32	2.1/2	0.557	1.710	1	B	3.5/32	3.5/8	0.557	2.863	1	B	
13	4.66	3	1.1/2	0.575	1	B	3.5/32	2.1/2	0.557	1.710	1	B	3.15/32	3.5/8	0.557	2.863	1	B	
14	4.98	3.1/4	1.1/2	0.575	1	B	3.15/32	2.1/2	0.557	1.710	1	B	3.51/64	3.5/8	0.557	2.863	1	B	
15	5.30	3.13/16	1.1/2	0.575	1	B	3.51/64	2.1/2	0.557	1.710	1	B	4	3.7/8	0.557	2.863	1	B	
16	5.63	4	1.1/2	0.575	1	B	4	2.3/4	0.557	1.710	1	B	4.27/64	3.7/8	0.557	2.863	1	B	
17	5.95	4	1.1/2	0.575	1	B	4.27/64	2.3/4	0.557	1.710	1	B	4.47/64	3.7/8	0.557	2.863	1	B	
18	6.27	4.1/4	1.1/2	0.575	1	B	4.47/64	2.3/4	0.557	1.710	1	B	5	3.7/8	0.557	2.863	1	B	
19	6.59	4.1/4	1.1/2	0.575	1	B	5	2.3/4	0.557	1.710	1	B	5	3.7/8	0.557	2.863	1	B	
20	6.91	4.1/4	1.1/2	0.575	1	B	5	2.3/4	0.557	1.710	1	B	5	3.7/8	0.557	2.863	1	B	
21	7.24	4.1/4	1.3/4	0.575	1	B	5	2.3/4	0.557	1.710	1	B	5	3.7/8	0.557	2.863	1	B	
22	7.56	4.1/4	1.3/4	0.575	1	B	5	2.3/4	0.557	1.710	1	B	5	3.7/8	0.557	2.863	1	B	
23	7.88	4.1/4	1.3/4	0.575	1	B	5	2.3/4	0.557	1.710	1	B	5	3.7/8	0.557	2.863	1	B	
24	8.20	4.1/4	1.3/4	0.575	1	B	5.1/4	2.3/4	0.557	1.710	1	B	5.1/4	3.7/8	0.557	2.863	1	B	
25	8.52	4.1/4	1.3/4	0.575	1	B	5.1/4	3	0.557	1.710	1	B	5.1/4	3.7/8	0.557	2.863	1	B	
26	8.84	4.3/4	2	0.575	1.1/4	B	5.1/4	3	0.557	1.710	1	B	5.1/4	3.7/8	0.557	2.863	1	B	
27	9.16	4.3/4	2	0.575	1.1/4	B	-	-	-	-	-	-	-	-	-	-	-	-	
28	9.48	4.3/4	2	0.575	1.1/4	B	-	-	-	-	-	-	-	-	-	-	-	-	
29	9.80	4.3/4	2	0.575	1.3/16	B	-	-	-	-	-	-	-	-	-	-	-	-	
30	10.11	4.3/4	2	0.575	1.3/16	B	5.3/4	3	0.557	1.710	1.1/4	B	5.3/4	4.1/4	0.557	2.863	1.1/4	B	
31	10.43	4.3/4	2	0.575	1.3/16	B	-	-	-	-	-	-	-	-	-	-	-	-	
32	10.75	4.3/4	2	0.575	1.3/16	B	5.3/4	3	0.557	1.710	1.1/4	B	-	-	-	-	-	-	
33	11.07	4.3/4	2	0.575	1.3/16	B	-	-	-	-	-	-	-	-	-	-	-	-	
34	11.39	4.3/4	2	0.575	1.3/16	B	-	-	-	-	-	-	-	-	-	-	-	-	
35	11.71	4.3/4	2	0.575	1.3/16	B	5.3/4	3	0.557	1.710	1.1/4	B	5.3/4	4.1/4	0.557	2.863	1.1/4	B	
36	12.03	4.3/4	2	0.575	1.3/16	B	5.3/4	3.1/8	0.557	1.710	1.1/4	B	5.3/4	4.1/4	0.557	2.863	1.1/4	B	
37	12.35	4.3/4	2	0.575	1.3/16	B	-	-	-	-	-	-	-	-	-	-	-	-	
38	12.67	4.3/4	2	0.575	1.3/16	B	-	-	-	-	-	-	-	-	-	-	-	-	
39	12.99	4.3/4	2	0.575	1.3/16	B	-	-	-	-	-	-	-	-	-	-	-	-	
40	13.31	4.3/4	2	0.575	1.3/16	B	-	-	-	-	-	-	-	-	-	-	-	-	
41	13.63	4.3/4	2	0.575	1.1/4	B	-	-	-	-	-	-	-	-	-	-	-	-	
42	13.94	4.3/4	2	0.575	1.1/4	B	5.3/4	3.1/8	0.557	1.710	1.1/4	B	6	4.1/2	0.557	2.863	1.1/4	C	
43	14.26	4.3/4	2	0.575	1.1/4	B	-	-	-	-	-	-	-	-	-	-	-	-	
44	14.58	4.3/4	2	0.575	1.1/4	B	-	-	-	-	-	-	-	-	-	-	-	-	
45	14.90	4.3/4	2	0.575	1.1/4	B	5.3/4	3.1/8	0.557	1.710	1.1/4	B	6	4.1/2	0.557	2.863	1.1/4	C	
46	15.22	4.3/4	2	0.575	1.1/4	B	-	-	-	-	-	-	-	-	-	-	-	-	
47	15.54	4.3/4	2	0.575	1.1/4	B	-	-	-	-	-	-	-	-	-	-	-	-	
48	15.86	4.3/4	2	0.575	1.1/4	B	-	-	-	-	-	-	-	-	-	-	-	-	
49	16.18	4.3/4	2	0.575	1.1/4	B	-	-	-	-	-	-	-	-	-	-	-	-	
50	16.50	4.3/4	2	0.575	1.1/4	B	-	-	-	-	-	-	-	-	-	-	-	-	
51	16.81	4.3/4	2	0.575	1.1/4	B	-	-	-	-	-	-	-	-	-	-	-	-	
52	17.13	4.3/4	2	0.575	1.1/4	B	5.3/4	3.3/4	0.557	1.710	1.1/2	C	6	4.1/2	0.557	2.863	1.1/2	C	
53	17.45	4.3/4	2	0.575	1.1/4	B	-	-	-	-	-	-	-	-	-	-	-	-	
54	17.77	5.1/4	2	0.575	1.1/4	B	-	-	-	-	-	-	-	-	-	-	-	-	
55	18.09	5.1/4	2	0.575	1.1/4	B	-	-	-	-	-	-	-	-	-	-	-	-	
56	18.41	5.1/4	2	0.575	1.1/4	B	-	-	-	-	-	-	-	-	-	-	-	-	
57	18.73	5.1/4	2	0.575	1.1/4	B	-	-	-	-	-	-	-	-	-	-	-	-	
58	19.04	5.1/4	2	0.575	1.1/4	B	-	-	-	-	-	-	-	-	-	-	-	-	
59	19.36	5.1/4	2	0.575	1.1/4	B	-	-	-	-	-	-	-	-	-	-	-	-	
60	19.68	5.1/4	2	0.575	1.1/4	B	5.3/4	3.3/4	0.557	1.710	1.1/2	C	6.1/4	4.3/4	0.557	2.863	1.1/2	C	
65	21.27	5.1/4	2	0.575	1.1/4	B	-	-	-	-	-	-	-	-	-	-	-	-	
68	22.23	-	-	-	-	-	6	4	0.557	1.710	1.1/2	C	6.1/4	4.3/4	0.557	2.863	1.1/2	C	
70	22.87	6.1/4	3.1/2	0.575	1.1/2	C	-	-	-	-	-	-	-	-	-	-	-	-	
72	23.50	6.1/4	3.1/2	0.575	1.1/2	C	-	-	-	-	-	-	-	-	-	-	-	-	
76	24.78	6.1/4	3.1/2	0.575	1.1/2	C	6	4	0.557	1.710	1.1/2	C	6.1/4	4.3/4	0.557	2.863	1.1/2	C	
80	26.05	6.1/4	3.1/2	0.575	1.1/2	C	-	-	-	-	-	-	-	-	-	-	-	-	
84	27.33	6.1/4	3.1/2	0.575	1.1/2	C	-	-	-	-	-	-	-	-	-	-	-	-	
90	29.24	6.1/4	3.1/2	0.575	1.1/2	C	-	-	-	-	-	-	-	-	-	-	-	-	
95	30.83	-	-	-	-	-	6	4.1/4	0.557	1.710	1.1/2	C	6.3/4	5	0.557	2.863	1.1/2	C	
96	31.15	6.1/4	3.1/2	0.575	1.1/2	C	-	-	-	-	-	-	-	-	-	-	-	-	
112	36.24	6.1/4	3.1/2	0.575	1.1/2	C	-	-	-	-	-	-	-	-	-	-	-	-	

The full range of sprockets are also available with hardened teeth - contact CHALLENGE for further details

\* has a recessed groove in the hub for chain clearance

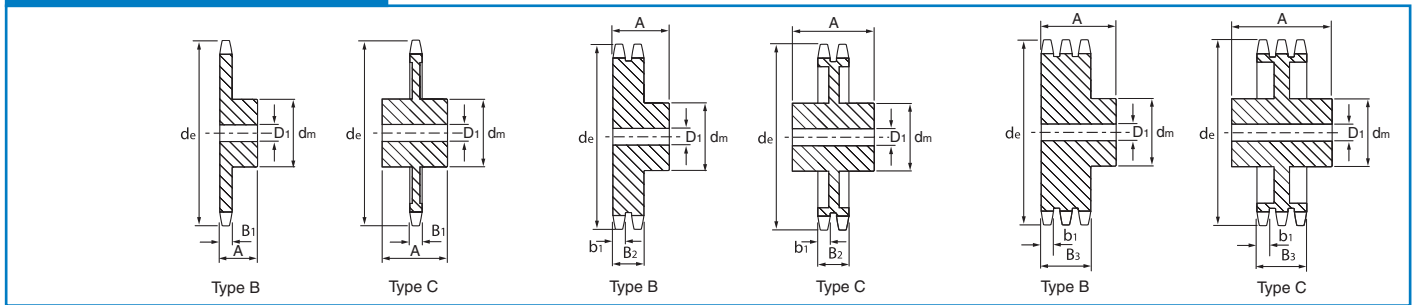
All dimensions in inches unless otherwise stated.

Every effort has been taken to ensure that the data listed in this catalogue is correct. Challenge accepts no liability for any inaccuracies or damage caused.

# ANSI Pilot Bore Sprockets

## ANSI Pilot Bore Sprockets (all C45 steel construction)

100 1.1/4" pitch



Teeth	Outer Dia de	Simplex					Duplex						Triplex						
		Hub Dia dm	Length thro' Bore A	B1	Stock Bore D1	Type	Hub Dia dm	Length thro' Bore A	b1	B2	Stock Bore D1	Type	Hub Dia dm	Length thro' Bore A	b1	B3	Stock Bore D1	Type	
8	3.77	2.7/16*	1.7/8	0.692	1	B	-	-	-	-	-	-	-	-	-	-	-	-	-
9	4.18	2.13/16*	1.7/8	0.692	1	B	2.3/8	2.7/8	0.669	2.077	1	B	-	-	-	-	-	-	-
10	4.60	3.1/4*	1.7/8	0.692	1	B	2.3/4	2.7/8	0.669	2.077	1	B	-	-	-	-	-	-	-
11	5.01	3.9/16*	1.7/8	0.692	1	B	3.1/8	2.7/8	0.669	2.077	1	B	3.1/8	4.1/4	0.669	3.485	1	B	
12	5.42	4*	1.7/8	0.692	1	B	3.3/8	2.7/8	0.669	2.077	1.1/8	B	3.3/8	4.1/4	0.669	3.485	1.1/8	B	
13	5.82	3.7/8	1.5/8	0.692	1	B	3.13/16	2.7/8	0.669	2.077	1.1/8	B	3.13/16	4.1/4	0.669	3.485	1.1/8	B	
14	6.23	4.3/16	1.5/8	0.692	1.1/4	B	4.3/16	2.7/8	0.669	2.077	1.1/8	B	4.3/16	4.1/4	0.669	3.485	1.1/8	B	
15	6.63	4.1/2	1.3/4	0.692	1.1/4	B	4.5/8	3.1/8	0.669	2.077	1.1/4	B	4.5/8	4.1/2	0.669	3.485	1.1/4	B	
16	7.03	4.1/2	1.3/4	0.692	1.5/16	B	5	3.1/8	0.669	2.077	1.1/4	B	5	4.1/2	0.669	3.485	1.1/4	B	
17	7.44	4.1/2	1.3/4	0.692	1.5/16	B	5.1/4	3.1/8	0.669	2.077	1.1/4	B	5.1/4	4.1/2	0.669	3.485	1.1/4	B	
18	7.84	4.1/2	1.3/4	0.692	1.5/16	B	5.1/4	3.1/8	0.669	2.077	1.1/4	B	5.1/4	4.3/4	0.669	3.485	1.1/4	B	
19	8.24	4.1/2	2	0.692	1.5/16	B	5.1/2	3.3/8	0.669	2.077	1.1/4	B	5.1/2	4.3/4	0.669	3.485	1.1/4	B	
20	8.64	4.1/2	2	0.692	1.5/16	B	5.1/2	3.3/8	0.669	2.077	1.1/4	B	5.1/2	4.3/4	0.669	3.485	1.1/4	B	
21	9.04	4.1/2	2	0.692	1.5/16	B	5.1/2	3.3/8	0.669	2.077	1.1/4	B	5.1/2	4.3/4	0.669	3.485	1.1/4	B	
22	9.44	4.1/2	2	0.692	1.5/16	B	5.1/2	3.3/8	0.669	2.077	1.1/4	B	5.1/2	4.3/4	0.669	3.485	1.1/4	B	
23	9.84	4.1/2	2	0.692	1.1/4	B	5.1/2	3.3/8	0.669	2.077	1.1/4	B	5.1/2	4.3/4	0.669	3.485	1.1/4	B	
24	10.25	4.1/2	2	0.692	1.1/4	B	5.3/4	3.3/8	0.669	2.077	1.1/4	B	5.3/4	4.3/4	0.669	3.485	1.1/4	B	
25	10.65	4.1/2	2	0.692	1.1/4	B	5.3/4	3.3/8	0.669	2.077	1.1/4	B	5.3/4	4.3/4	0.669	3.485	1.1/4	B	
26	11.05	5	2	0.692	1.1/4	B	5.3/4	3.3/8	0.669	2.077	1.1/2	B	5.3/4	4.3/4	0.669	3.485	1.1/2	B	
27	11.44	5	2	0.692	1.1/4	B	-	-	-	-	-	-	-	-	-	-	-	-	
28	11.84	5	2	0.692	1.1/4	B	-	-	-	-	-	-	-	-	-	-	-	-	
29	12.24	5	2	0.692	1.1/4	B	-	-	-	-	-	-	-	-	-	-	-	-	
30	12.64	5	2	0.692	1.1/4	B	5.3/4	3.3/8	0.669	2.077	1.1/2	B	5.3/4	4.3/4	0.669	3.485	1.1/2	B	
32	13.44	5	2	0.692	1.1/4	B	-	-	-	-	-	-	-	-	-	-	-	-	
35	14.64	5	2.1/2	0.692	1.1/4	B	6	4.1/4	0.669	2.077	1.1/2	C	6	5	0.669	3.485	1.1/2	C	
36	15.04	5	2.1/2	0.692	1.1/4	B	-	-	-	-	-	-	-	-	-	-	-	-	
38	15.84	5	2.1/2	0.692	1.1/4	B	-	-	-	-	-	-	-	-	-	-	-	-	
39	16.23	5	2.1/2	0.692	1.1/4	B	-	-	-	-	-	-	-	-	-	-	-	-	
40	16.63	5	2.1/2	0.692	1.1/4	B	-	-	-	-	-	-	-	-	-	-	-	-	
42	17.43	5	2.1/2	0.692	1.1/4	B	-	-	-	-	-	-	-	-	-	-	-	-	
45	18.63	5	2.1/2	0.692	1.1/2	B	6	4.1/2	0.669	2.077	1.1/2	C	6	5	0.669	3.485	1.1/2	C	
48	19.82	6	2.1/2	0.692	1.1/2	B	-	-	-	-	-	-	-	-	-	-	-	-	
54	22.21	6	3.1/4	0.692	1.1/2	C	-	-	-	-	-	-	-	-	-	-	-	-	
60	24.60	6	3.1/4	0.692	1.1/2	C	7.1/2	5	0.669	2.077	1.1/2	C	7.1/2	5	0.669	3.485	1.1/2	C	
70	28.58	7	3.3/4	0.692	1.1/2	C	7.1/2	5	0.669	2.077	1.1/2	C	7.1/2	5	0.669	3.485	1.1/2	C	
72	29.38	7	3.3/4	0.692	1.1/2	C	-	-	-	-	-	-	-	-	-	-	-	-	
76	30.97	7	3.3/4	0.692	1.1/2	C	-	-	-	-	-	-	-	-	-	-	-	-	
80	32.57	7	3.3/4	0.692	1.1/2	C	7.1/2	5	0.669	2.077	1.1/2	C	7.1/2	5	0.669	3.485	1.1/2	C	
84	34.16	7	3.3/4	0.692	1.1/2	C	-	-	-	-	-	-	-	-	-	-	-	-	
90	36.55	7	3.3/4	0.692	1.1/2	C	-	-	-	-	-	-	-	-	-	-	-	-	
96	38.93	7	4.1/2	0.692	1.1/2	C	-	-	-	-	-	-	-	-	-	-	-	-	

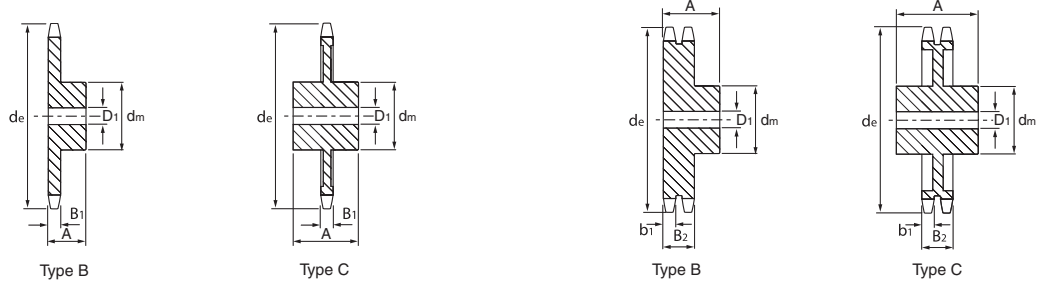
The full range of sprockets are also available with hardened teeth - contact CHALLENGE for further details

\* has a recessed groove in the hub for chain clearance

# ANSI Pilot Bore Sprockets

## ANSI Pilot Bore Sprockets (all C45 steel construction)

120 1.1/2" pitch



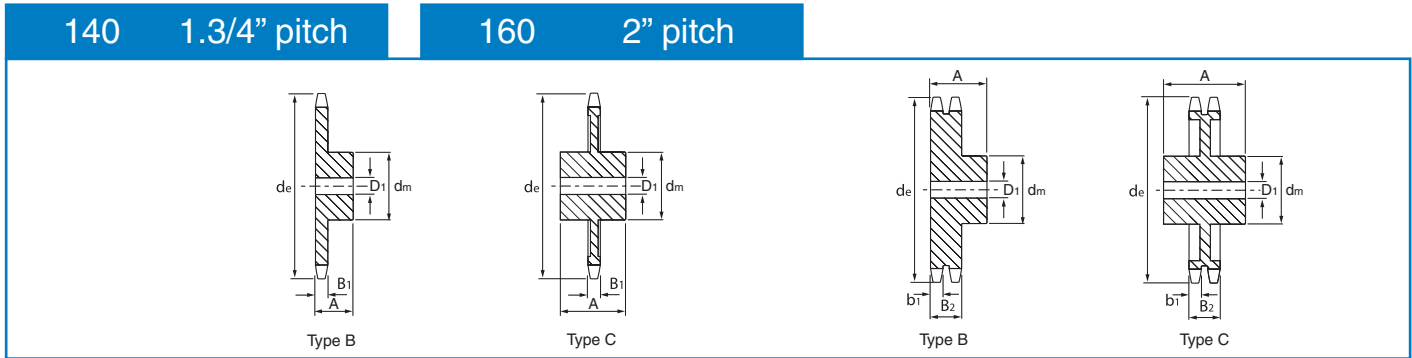
Teeth	Outer Dia de	Simplex					Duplex					
		Hub Dia dm	Length thro' Bore A	B1	Stock Bore D1	Type	Hub Dia dm	Length thro' Bore A	b1	B2	Stock Bore D1	Type
9	5.02	3.3/8*	2.1/4	0.924	1.3/8	B	-	-	-	-	-	-
10	5.52	3.3/4*	2.1/4	0.924	1.3/8	B	-	-	-	-	-	-
11	6.01	3.9/16	2.1/8	0.924	1.3/8	B	3.9/16	3.3/4	0.894	2.683	1.1/2	B
12	6.50	4.1/8	2.1/8	0.924	1.3/8	B	4.1/16	3.3/4	0.894	2.683	1.1/2	B
13	6.99	4.9/16	2.1/4	0.924	1.3/8	B	4.1/2	3.3/4	0.894	2.683	1.1/2	B
14	7.47	4.3/4	2.1/4	0.924	1.3/8	B	5	3.3/4	0.894	2.683	1.1/2	B
15	7.96	4.3/4	2.3/8	0.924	1.1/4	B	5.1/4	3.3/4	0.894	2.683	1.1/2	B
16	8.44	5.1/4	2.3/8	0.924	1.1/4	B	5.1/4	3.3/4	0.894	2.683	1.1/2	B
17	8.92	5.1/4	2.3/8	0.924	1.1/4	B	5.1/4	3.3/4	0.894	2.683	1.1/2	B
18	9.41	5.1/4	2.3/8	0.924	1.1/4	B	5.1/4	3.3/4	0.894	2.683	1.1/2	B
19	9.89	5.1/4	2.3/8	0.924	1.1/4	B	5.1/4	3.3/4	0.894	2.683	1.1/2	B
20	10.37	5.1/4	2.3/8	0.924	1.1/4	B	5.1/2	3.3/4	0.894	2.683	1.1/2	B
21	10.85	5.1/4	2.3/8	0.924	1.1/4	B	5.1/2	3.3/4	0.894	2.683	1.1/2	B
22	11.33	5.1/4	2.3/8	0.924	1.1/4	B	5.3/4	4	0.894	2.683	1.1/2	B
23	11.81	5.1/4	2.3/8	0.924	1.1/4	B	6.1/2	4	0.894	2.683	1.1/2	B
24	12.29	5.1/4	2.3/8	0.924	1.1/4	B	6.1/2	4	0.894	2.683	1.1/2	B
25	12.77	5.1/4	2.3/8	0.924	1.1/4	B	6.1/2	4	0.894	2.683	1.1/2	B
26	13.25	6	2.1/2	0.924	1.1/2	B	6.1/2	4	0.894	2.683	1.1/2	B
28	14.21	6	2.1/2	0.924	1.1/2	B	-	-	-	-	-	-
30	15.17	6	2.1/2	0.924	1.1/2	B	6.1/2	4	0.894	2.683	1.1/2	B
32	16.13	6	2.1/2	0.924	1.1/2	B	-	-	-	-	-	-
35	17.57	6	2.1/2	0.924	1.1/2	B	7.1/2	6	0.894	2.683	1.1/2	C
36	18.05	6	2.1/2	0.924	1.1/2	B	-	-	-	-	-	-
40	19.96	6	3.3/4	0.924	1.1/2	C	-	-	-	-	-	-
42	20.92	6	3.3/4	0.924	1.1/2	C	-	-	-	-	-	-
45	22.35	6	3.3/4	0.924	1.1/2	C	7.1/2	6	0.894	2.683	1.1/2	C
48	23.79	6	4	0.924	1.1/2	C	-	-	-	-	-	-
54	26.65	6	4	0.924	1.1/2	C	-	-	-	-	-	-
60	29.52	7	4	0.924	1.1/2	C	9.1/2	6.1/4	0.894	2.683	1.1/2	C
70	34.30	7.1/2	4.1/2	0.924	1.1/2	C	-	-	-	-	-	-
80	39.08	7.1/2	4.1/2	0.924	1.1/2	C	-	-	-	-	-	-

The full range of sprockets are also available with hardened teeth - contact CHALLENGE for further details

\* has a recessed groove in the hub for chain clearance

# ANSI Pilot Bore Sprockets

## ANSI Pilot Bore Sprockets (all C45 steel construction)



### 140 1.3/4" pitch

Teeth	Outer Dia de	Hub Dia dm	Simplex				Duplex					
			Length thro' Bore A	B1	Stock Bore D1	Type	Length thro' Bore A	b1	B2	Stock Bore D1	Type	
11	7.01	4.1/4	2.1/4	0.924	1.1/2	B	-	-	-	-	-	
12	7.58	4.1/2	2.1/4	0.924	1.1/2	B	-	-	-	-	-	
13	8.15	5.5/16	2.3/8	0.924	1.1/2	B	5	3.3/4	0.894	2.818	1.5/8	B
14	8.72	5.1/2	2.3/8	0.924	1.1/2	B	5.1/2	3.3/4	0.894	2.818	1.5/8	B
15	9.28	6.1/4	2.3/8	0.924	1.1/2	B	6.1/2	3.3/4	0.894	2.818	1.5/8	B
16	9.85	6.1/4	2.1/2	0.924	1.1/2	B	7	4	0.894	2.818	1.5/8	B
17	10.14	6.1/4	2.1/2	0.924	1.1/2	B	7	4	0.894	2.818	1.5/8	B
18	10.98	6.1/4	2.1/2	0.924	1.1/2	B	7	4	0.894	2.818	1.3/4	B
19	11.54	6.1/4	2.1/2	0.924	1.1/2	B	7	4	0.894	2.818	1.3/4	B
20	12.10	6.1/4	2.1/2	0.924	1.1/2	B	7	4	0.894	2.818	1.3/4	B
21	12.66	6.1/4	2.1/2	0.924	1.1/2	B	7	4	0.894	2.818	1.3/4	B
22	13.22	6.1/4	2.1/2	0.924	1.1/2	B	7	4	0.894	2.818	1.3/4	B
23	13.78	6.1/4	2.1/2	0.924	1.1/2	B	7	4	0.894	2.818	1.3/4	B
24	14.34	6.1/4	2.1/2	0.924	1.1/2	B	7	4	0.894	2.818	1.3/4	B
25	14.90	6.1/4	2.1/2	0.924	1.1/2	B	7	4	0.894	2.818	1.3/4	B
26	15.46	6.1/4	3	0.924	1.1/2	B	7	4	0.894	2.818	1.3/4	B
27	16.02	6.1/4	3	0.924	1.1/2	B	-	-	-	-	-	-
28	16.58	6.1/4	3	0.924	1.1/2	B	-	-	-	-	-	-
30	17.70	6.1/4	3	0.924	1.1/2	B	-	-	-	-	-	-
32	18.82	6.1/4	3	0.924	1.1/2	B	-	-	-	-	-	-
35	20.49	7	4	0.924	1.1/2	C	7.1/2	6	0.894	2.818	1.1/2	C
40	23.29	7	4	0.924	1.1/2	C	-	-	-	-	-	-
45	26.08	7	4	0.924	1.1/2	C	7.1/2	6	0.894	2.818	1.1/2	C
48	27.75	7	4	0.924	1.1/2	C	-	-	-	-	-	-
54	31.10	7	4	0.924	1.1/2	C	-	-	-	-	-	-
60	34.44	7	5	0.924	1.1/2	C	9.1/2	6.1/4	0.894	2.818	1.1/2	C
70	40.02	7.1/2	5	0.924	1.1/2	C	-	-	-	-	-	-
80	45.59	7.1/2	5	0.924	1.1/2	C	-	-	-	-	-	-

### 160 2" pitch

Teeth	Outer Dia de	Hub Dia dm	Simplex				Duplex					
			Length thro' Bore A	B1	Stock Bore D1	Type	Length thro' Bore A	b1	B2	Stock Bore D1	Type	
8	6.03	3.1/4	2.1/4	1.156	1.1/2	B	-	-	-	-	-	-
9	6.70	3.5/8	2.1/4	1.156	1.1/2	B	-	-	-	-	-	-
10	7.36	4.1/8	2.1/4	1.156	1.1/2	B	-	-	-	-	-	-
11	8.01	4.3/4	2.1/2	1.156	1.1/2	B	-	-	-	-	-	-
12	8.66	5.1/2	2.1/2	1.156	1.1/2	B	-	-	-	-	-	-
13	9.31	6	2.3/4	1.156	1.1/2	B	6	4.3/4	1.119	3.424	2	B
14	9.96	6.1/2	2.3/4	1.156	1.1/2	B	6.3/4	4.3/4	1.119	3.424	2	B
15	10.61	7	2.3/4	1.156	1.1/2	B	7	4.3/4	1.119	3.424	2	B
16	11.26	7	2.3/4	1.156	1.1/2	B	7	4.3/4	1.119	3.424	2	B
17	11.90	7	2.3/4	1.156	1.1/2	B	7	4.3/4	1.119	3.424	2	B
18	12.54	7	2.3/4	1.156	1.1/2	B	7	4.3/4	1.119	3.424	2	B
19	13.19	7	2.3/4	1.156	1.1/2	B	7	4.3/4	1.119	3.424	2	B
20	13.83	7	2.3/4	1.156	1.1/2	B	7	4.3/4	1.119	3.424	2	B
21	14.47	7	2.3/4	1.156	1.1/2	B	7.1/2	4.3/4	1.119	3.424	2	B
22	15.11	7	2.3/4	1.156	1.1/2	B	7.1/2	4.3/4	1.119	3.424	2	B
23	15.75	7	2.3/4	1.156	1.1/2	B	7.1/2	4.3/4	1.119	3.424	2	B
24	16.39	7	3	1.156	1.1/2	B	7.1/2	4.3/4	1.119	3.424	2	B
25	17.03	7	3	1.156	1.1/2	B	7.1/2	4.3/4	1.119	3.424	2	B
26	17.67	7	3	1.156	1.1/2	B	7.1/2	4.3/4	1.119	3.424	2	B
27	18.31	7	3	1.156	1.1/2	B	-	-	-	-	-	-
28	18.95	7	3	1.156	1.1/2	B	-	-	-	-	-	-
30	20.23	7	3	1.156	1.1/2	B	-	-	-	-	-	-
35	23.42	8	4.1/2	1.156	1.1/2	C	9.1/2	6.5/8	1.119	3.424	1.1/2	C
40	26.61	8	4.1/2	1.156	1.1/2	C	-	-	-	-	-	-
45	29.80	8	5	1.156	1.1/2	C	10	7.1/8	1.119	3.424	1.1/2	C
54	35.54	8	5	1.156	1.1/2	C	-	-	-	-	-	-
60	39.36	8	5	1.156	1.1/2	C	10	7.1/8	1.119	3.424	1.1/2	C
70	45.73	8	5	1.156	1.1/2	C	-	-	-	-	-	-
80	52.10	8	6	1.156	1.1/2	C	-	-	-	-	-	-

The full range of sprockets are also available with hardened teeth - contact CHALLENGE for further details

\* has a recessed groove in the hub for chain clearance

Every effort has been taken to ensure that the data listed in this catalogue is correct. Challenge accepts no liability for any inaccuracies or damage caused.

All dimensions in inches unless otherwise stated.