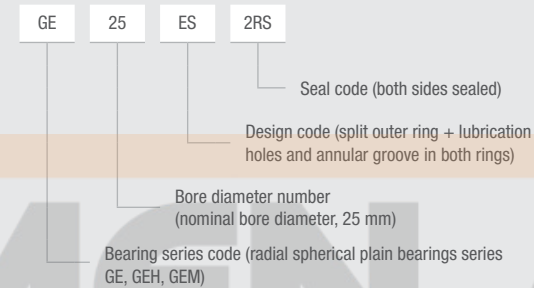


Spherical plain bearings and rod ends



The inner ring has a spherical, convex, outside diameter and the outer ring has a correspondingly spherical, concave, inside surface. Spherical plain bearings are designed to carry radial and axial loads and are ideal for static and oscillatory applications where moderate misalignment may exist. These kinds of bearings are suitable for heavy-duty vehicles, agricultural equipment, construction, mining and logging equipment.

NOMENCLATURE:



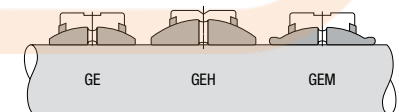
SHIELD CODE:

No symbol Open type
2RS double side rubber seal

PREFIX/SUFFIX:

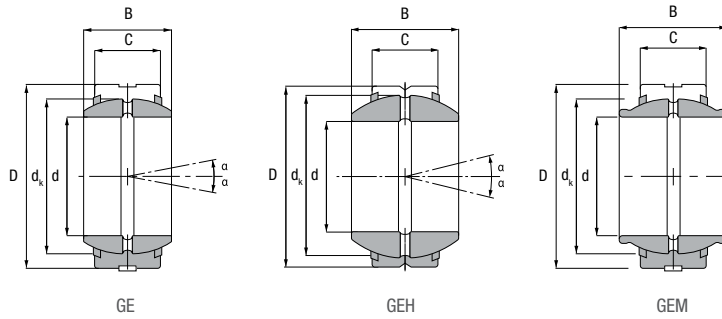
E split outer ring
S lubrication holes and annular groove in both rings
ES E+S
C maintenance free

CODEX BASIC TYPES & SERIES



Spherical plain bearings utilise inner and outer ring with spherical sliding surface and can accommodate heavy radial loads as well as bi-directional axial loads at the same time.

Steel/steel spherical plain bearings



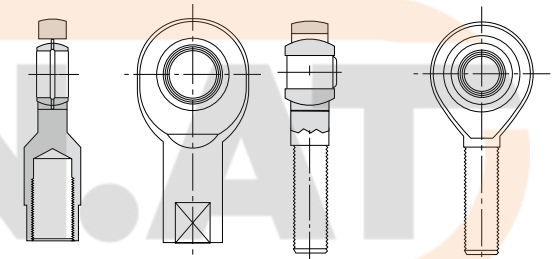
Main dimensions (mm)						Load ratings (kN)		Weight (kg)	Designation
d	D	B	C	dk	α	Dynamic (Cr)	Static (Cor)		
60	90	44	36	80	6	245	1220	1,03	GE60
	105	63	40	92	17	313	1560	2,09	GEH60
70	90	54	36	80	3	245	1220	1,06	GEM60
	105	49	40	92	6	313	1560	1,57	GE70
80	120	70	45	105	16	400	2000	3,01	GEH70
	120	55	45	105	6	400	2000	2,32	GE80
90	130	75	50	115	14	488	2440	3,61	GEH80
	130	60	50	115	5	488	2440	2,79	GE90

* For applications close to the limiting speeds please contact Codex QA department.

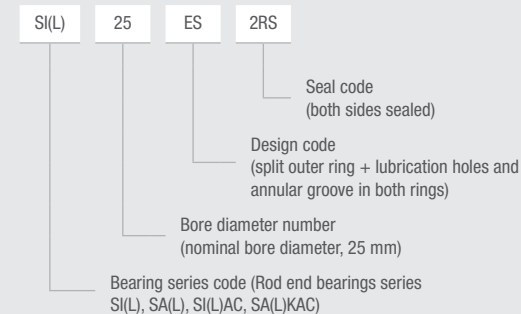
Main dimensions (mm)						Load ratings (kN)		Weight (kg)	Designation
d	D	B	C	dk	α	Dynamic (Cr)	Static (Cor)		
6	14	6	4	10	13	3,4	17	0,004	GE6
8	16	8	5	13	15	5,5	27	0,007	GE8
	19	11	6	16	21	8,1	40	0,014	GEH8
10	19	9	6	16	12	8,1	40	0,011	GE10
	22	12	7	18	18	10	53	0,021	GEH10
12	22	10	7	18	10	10	53	0,017	GE12
	26	15	9	22	18	16	84	0,036	GEH12
15	26	12	9	22	8	16	84	0,026	GE15
	30	16	10	25	16	21	106	0,048	GEH15
17	30	14	10	25	10	21	106	0,04	GE17
	35	20	12	29	19	30	146	0,08	GEH17
20	35	16	12	29	9	30	146	0,064	GE20
	42	25	16	35,5	17	48	240	0,152	GEH20
25	42	20	16	35,5	7	48	240	0,115	GE25
	47	28	18	40,7	17	62	310	0,199	GEH25
	42	29	16	35,5	4	48	240	0,13	GEM25
30	47	22	18	40,7	6	62	310	0,149	GE30
	55	32	20	47	17	79	399	0,296	GEH30
	47	30	18	40,7	4	62	310	0,16	GEM30
35	55	25	20	47	6	79	399	0,228	GE35
	62	35	22	53	16	99	495	0,402	GEH35
	55	35	20	47	4	79	399	0,25	GEM35
40	62	28	22	53	7	99	495	0,318	GE40
	68	40	25	60	17	127	637	0,535	GEH40
	62	38	22	53	4	99	495	0,34	GEM40
45	68	32	25	60	7	127	637	0,421	GE45
	75	43	28	66	15	156	780	0,698	GEH45
	68	40	25	60	4	127	637	0,45	GEM45
50	75	35	28	66	6	156	780	0,562	GE50
	90	56	36	80	17	245	1220	1,42	GEH50
	75	43	28	66	4	156	780	0,59	GEM50

ROD ENDS

Spherical plain bearing rod ends are bearings that consist of a spherical plain bearing in the eye-shaped head of the rod end housing. Available with an internal (female) thread, external (male) thread, left-handed or right-handed thread.



NOMENCLATURE:



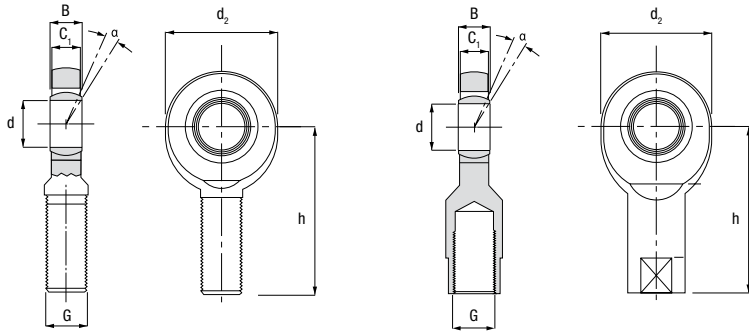
SHIELD CODE:

No symbol – Open type
2RS - double side rubber seal

PREFIX/SUFFIX:

- L left-hand thread
- E split on bearing outer ring
- S (suffix) lubrication holes and annular groove in both rings
- ES E+S
- C maintenance-free rod ends
- M sliding surface steel/bronze
- S (prefix) stainless steel rod end

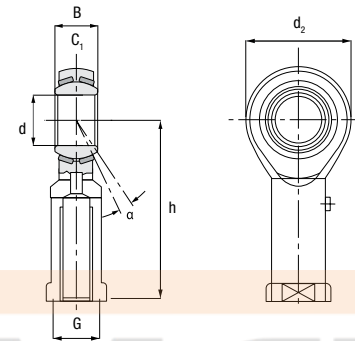
Rod ends with a female thread SI/SIL and a male thread SA/SAL



Main dimensions (mm)							Load ratings (kN)		Weight (kg)	Designations	
d	d2	G	B	C1 (max)	h	α	C	C0		Right-hand thread	Left-hand thread
6	21	M6	6	4,5	30	13	3,4	8,1	0,023	SI6	SIL6
	21	M6	6	4,5	36	13	3,4	5,5	0,016	SA6	SAL6
8	24	M8	8	6,5	36	15	5,5	12,9	0,04	SI8	SIL8
	24	M8	8	6,5	42	15	5,5	10	0,026	SA8	SAL8
10	29	M10	9	7,5	43	12	8,1	17,6	0,065	SI10	SIL10
	29	M10	9	7,5	48	12	8,1	16	0,05	SA10	SAL10
12	34	M12	10	8,5	50	10	10	24,5	0,108	SI12	SIL12
	34	M12	10	8,5	54	10	10	23	0,068	SA12	SAL12
15	40	M14	12	10,5	61	8	16	36	0,169	SI15	SIL15
	40	M14	12	10,5	63	8	16	32	0,12	SA15	SAL15
17	46	M16	14	11,5	67	10	21	45	0,235	SI17	SIL17
	46	M16	14	11,5	69	10	21	44	0,19	SA17	SAL17
20	53	M20X1,5	16	13,5	77	9	30	60	0,335	SI20	SIL20
	53	M20X1,5	16	13,5	78	9	30	60	0,3	SA20	SAL20
25	64	M24X2	20	18	94	7	48	83	0,665	SI25	SIL25
	64	M24X2	20	18	94	7	48	83	0,555	SA25	SAL25

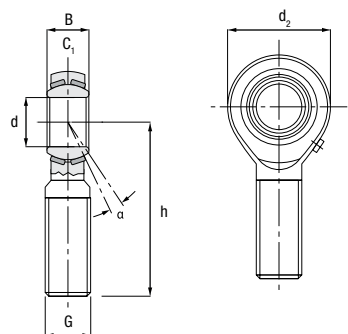
SIKAC/SILKAC Rod ends with a threaded shank

Steel-on-bronze rod ends with a female thread SIKAC/SI(L)KAC



Main dimensions (mm)							Load ratings (kN)		Weight (kg)	Designations	
d	d2	G	B	C1 (max)	h	α	C	C0	Kg	Right-hand thread	Left-hand thread
6	18	M6	9	6,75	30	13	4,3	5,3	0,026	SIKAC 6 M	SILKAC 6 M
8	22	M8	12	9	36	14	6,8	8,5	0,044	SIKAC 8 M	SILKAC 8 M
10	26	M10	14	10,5	43	14	10	11	0,072	SIKAC 10 M	SILKAC 10 M
12	30	M12	16	12	50	13	13	14	0,108	SIKAC 12 M	SILKAC 12 M
14	34	M14	19	13,5	57	16	17	20	0,161	SIKAC 14 M	SILKAC 14 M
16	38	M16	21	15	64	15	21	25	0,225	SIKAC 16 M	SILKAC 16 M
18	42	M18X1,5	23	16,5	71	15	26	30	0,295	SIKAC 18 M	SILKAC 18 M
20	46	M20X1,5	25	18	77	15	31	35	0,382	SIKAC 20 M	SILKAC 20 M
22	50	M22X1,5	28	20	84	15	38	43	0,488	SIKAC 22 M	SILKAC 22 M
25	60	M24X2	31	22	94	15	47	65	0,749	SIKAC 25 M	SILKAC 25 M

Steel-on-bronze rod ends with a male thread
SAKAC/SA(L)KAC



Main dimensions (mm)							Load ratings (kN)		Weight (kg)	Designations	
d	d2	G	B	C1 (max)	h	α	C	C0	Kg	Right-hand thread	Left-hand thread
6	18	M6	9	6,75	36	13	4,3	5,3	0,026	SAKAC 6 M	SALKAC 6 M
8	22	M8	12	9	42	14	6,8	8,5	0,044	SAKAC 8 M	SALKAC 8 M
10	26	M10	14	10,5	48	14	10	11	0,072	SAKAC 10 M	SALKAC 10 M
12	30	M12	16	12	54	13	13	14	0,108	SAKAC 12 M	SALKAC 12 M
14	34	M14	19	13,5	60	16	17	20	0,161	SAKAC 14 M	SALKAC 14 M
16	38	M16	21	15	66	15	21	25	0,225	SAKAC 16 M	SALKAC 16 M
18	42	M18X1,5	23	16,5	72	15	26	30	0,295	SAKAC 18 M	SALKAC 18 M
20	46	M20X1,5	25	18	78	15	31	35	0,382	SAKAC 20 M	SALKAC 20 M
22	50	M22X1,5	28	20	84	15	38	43	0,488	SAKAC 22 M	SALKAC 22 M
25	60	M24X2	31	22	94	15	47	65	0,749	SAKAC 25 M	SALKAC 25 M

EMEN.AT