



V-BELTS

Rubber V-belts



MEGADYNE

INTRODUCTION TO V-BELTS

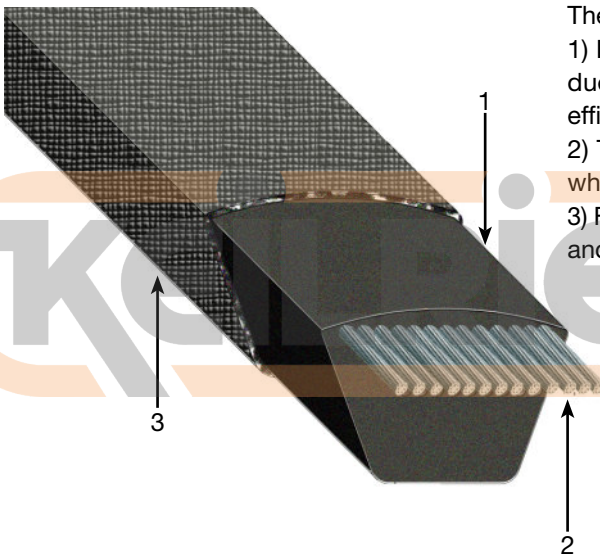


Megadyne V-belts have been used for decades in the most different industries and applications, offering drive solutions to customers all over the world.

Applied technology guarantees such a dimensional precision in V-belts which allows them to be suitable for multiple transmissions. This dimensional stability continues also during belt use.

The variety of belt sizes available allows the application of Megadyne V-belt in a wide range of drive applications, such as:

- machine tools
- industrial washing machines
- textile machines
- continuous paper machines
- high power mills
- stone crushers



The main V-belt components are:

- 1) Belt body made of a special rubber compound which provides, due to its excellent mechanical characteristics, high transmission efficiency and assures a minimum rubber wear off;
- 2) Tensile member consisting in high-strength low-stretch cords, which grant length stability over the belt life time;
- 3) Fabric jacket or cover made of fabric, protecting the tensile member and permitting the use of back side idler.

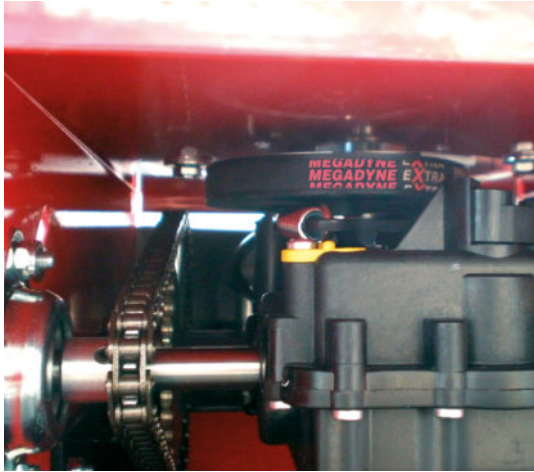
MECHANICAL AND CHEMICAL FEATURES

- smooth starting and running
- wide range of driven speed
- low maintenance
- high efficiency
- extremely wide horsepower ranges
- dampen vibration between driver and driven pulleys
- silent operations
- long life service
- easy installation
- reduction in drive dimension
- working temperature range from -30°C to $+80/90^{\circ}\text{C}$ (see details in family pages)
- oil and heat resistance
- antistatic properties

MEGAMATCH **MEGA MATCH**

All V-belts carrying the MEGA MATCH logo are made and supplied according to the matching set tolerances and limits indicated by the relevant international standards (ISO, RMA, etc)

INTRODUCTION TO V-BELTS



WRAPPED BELTS

EXTRA

Extra belts were designed to offer durable and reliable performances on light and medium-duty drives. They represent an affordable solution for transmission systems of all industrial sectors.

OLEOSTATIC

Oleostatic rubber belts are developed with high resistant tensile elements, they are characterised by high performances, length stability during belts life, conductivity, oil and heat resistance. They are particularly suitable for centrifugal pumps, compressor, tool machines, generators, high power mills and stone mills.

OLEOSTATIC GOLD

Different materials and design features, together with an improved production process, have led to the development of a new class of higher rated wrapped V-belts. The new OLEOSTATIC GOLD V-belts products family can operate in a wide range of industrial applications, within a large spread of load capacities and speeds — offering rated performance from 100 to 8,000 RPM and power capability from 1 to 400 kW, meanwhile granting large cost advantages for the end users.



Oleostatic Gold structure:

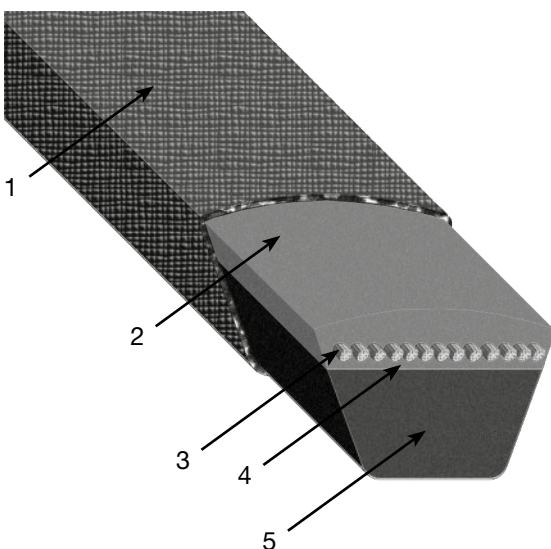
- 1) FABRIC: Double cover ply - CR Dip.

A reinforced, double fabric cover is plied around the belt to protect it against contamination and moisture. Its increased flexibility allows the belt to bend more easily around the smallest pulleys with far less strain on the fabric, while assuring a smoother running drive.

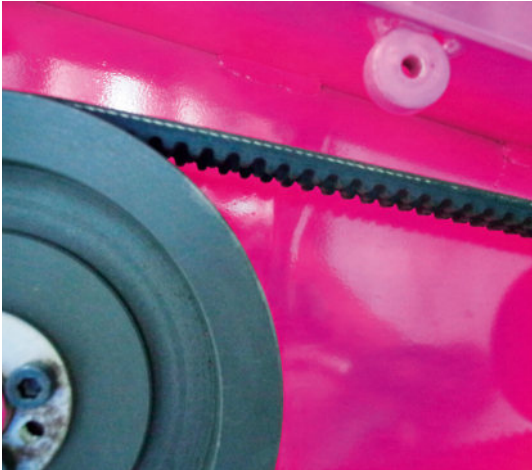
- 2) TOP CUSHION: SBR compound + Fibers
- 3) TENSILE CORD: H.T. Polyester

The tensile section is made up of a multiple number of high-strength, low elongation polyester cords, completely embedded in the adhesion layers, to enhance resistance to tension and flex-fatigue. Each cord is individually and specially coated to secure a long-lasting bond with the surrounding rubber and to grant a longer operational lifetime. In addition the belt requires significantly less retensioning and take-up due to its cord's consistent length stability. Longer belt life means less frequent replacement, less downtime and lower maintenance costs.

- 4) BOTTOM CUSHION: SBR compound + Fibers
- 5) BODY COMPOUND: Polychloroprene (CR) based



INTRODUCTION TO V-BELTS



RAW EDGE

LINEA-X

These belts have been specifically developed to run where small pulleys diameters and high transmission ratios put a limit to the use of wrapped belts of the same section.

Compared to wrapped belts, the LINEA-X family offers important improvements, like specific compounds and special production technology. In particular the transverse orientation of the fibers improves the cord support capacity of the body section and reinforces its transverse rigidity, while maintaining, (due to the cogged profile and the precision-ground sidewalls) the highest longitudinal flexibility and running stability. These characteristics guarantee an excellent structure with advantages such as: high transmission ratios, improved grip and resistance to continuous bending.



LINEA GOLD

The NEW generation of raw edge belts

New materials, advanced design features and an innovative production process has led MEGADYNE to develop a new generation of raw edge V-belt drives that outperform, in a wide range of industrial applications, all the previous drives equipped with standard raw edge belts, granting large cost advantages for the end users and greater design flexibility for the engineers. The belt has a narrow cross section and a raw edge construction, based on a new EPDM rubber compound which can withstand chemically aggressive environments, ageing, ozone, UV and heat.

Linea Gold structure:

1) BACKSIDE FABRIC

A textile fabric is plied on the belt backside to protect it against contamination and moisture.

Its flexibility gives the belt excellent reversed bending properties when backside idlers are used and protects the belt against wear.

2) ADHESION LAYERS

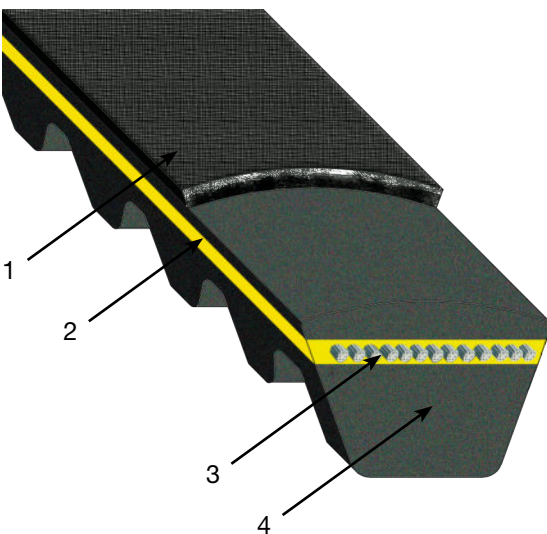
An innovative, colored, EPDM compound located immediately above and below the belt cords, guarantees the best possible bonding with the under cord body material.

3) TENSILE CORD

The tensile section is made up of a multiple number of high-strength, low elongation polyester tensile cords which are completely embedded in the adhesion layers and vulcanized as one solid unit to enhance resistance to tensile and flex-fatigue forces. On request, for special extreme requirements, aramid or glassfibre cords are also available.

4) BODY COMPOUND

A newly developed EPDM compound, with high-performance fibers embodied in the rubber matrix, provides to the belt with superior abrasion and wear resistance. The transversal orientation of the fibers improves the cord support capacity of the body section and reinforces its transversal rigidity, while maintaining, in connection with the cogged profile and the precision-ground sidewalls, the utmost longitudinal flexibility and running stability.



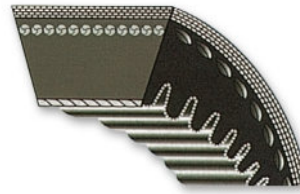


SECTIONS

- Z E
- A 20
- B 25
- C 45
- D 50

Classical wrapped V-belts

(Extra - Oleostatic - Oleostatic Gold)



SECTIONS

- AX
- BX
- CX

Classical raw edge V-belts

(Linea Gold)



SECTIONS

- SPZ
- SPA
- SPB
- SPC

Narrow wrapped V-belts DIN

(Extra - Oleostatic Gold)



SECTIONS

- XPZ
- XPA
- XPB
- XPC

Narrow raw edge V-belts DIN

(Linea-X - Linea Gold)



SECTIONS

- 3V
- 5V
- 8V

Narrow wrapped V-belts RMA

(Oleostatic)



SECTIONS

- 13x6 36x12
- 17x6 37x10
- 21x7 42x13
- 22x8 47x13
- 26x8 52x16
- 28x8 55x16
- 30x10 65x20
- 32x10 70x20

Variable speed V-belts

(Varisect)



SECTIONS

- XDV2-38
- XDV2-48
- XDV2-58

Xtra Duty V-belts

(XDV2)



SECTIONS

- AA
- BB
- CC

Double V-belts

(Esaflex)

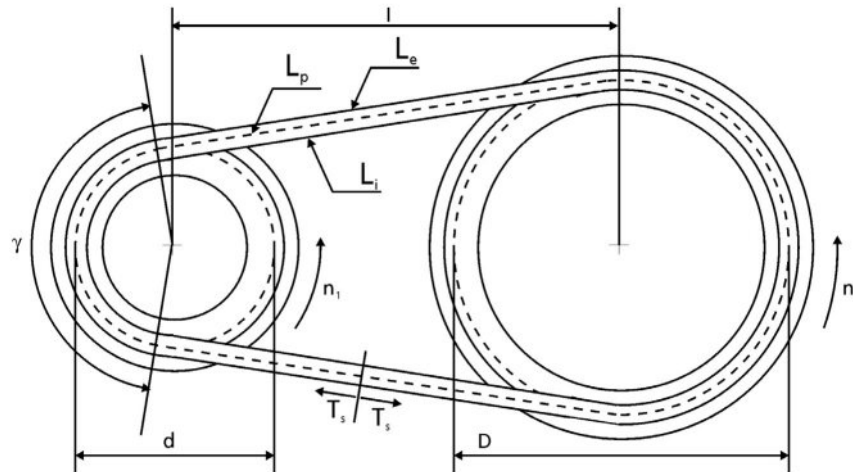


SECTIONS

- RA RSPC
- RB R3V
- RC R5V
- RSPZ R8V
- RSPA R3VX
- RSPB R5VX

Banded V-belts

(Pluriband)



Symbol	Unit	Definition	Symbol	Unit	Definition
C_γ		correction factor C_γ	L_p	mm	pitch length (effective)
C_L		correction factor C_L	n_1	RPM	speed of smaller pulley (faster)
C_c		correction factor C_c	n_2	RPM	speed of bigger pulley (slower)
d	mm	pitch diameter of smaller pulley	P	kW	power to be transmitted
D	mm	pitch diameter of bigger pulley	P_a	kW	actual power of the transmission
I	mm	theoretical center distance	P_b	kW	basic performance of a single belt
I_e	mm	effective center distance	P_c	kW	corrected power
i		transmission ratio	P_d	kW	difference to P_b due to $K \neq 1$
L'	mm	calculated pitch length	Q		number of belts
L_e	mm	external length ($L_p + \Delta$)	T_s	N	static belt tension
L_i	mm	internal length ($L_p - \Delta$)	v	m/s	peripheral belt speed
			γ	°	arc of contact

BELT SECTION

Necessary data for selection of the belt section:

P = power to be transmitted in kW

n_1 = speed in RPM of the smaller pulley

n_2 = speed in RPM of the bigger pulley

It is necessary to correct the power P by a coefficient C_c (see table 1 page 6) which considers into account the actual operating conditions.

Corrected power P_c is given by:

$$P_c = P \cdot C_c$$

The graphs gives a guiding criterion for the section of the belt.

TRANSMISSION RATIO

Transmission ratio is calculated as follows:

$$i = \frac{n_1}{n_2} = \frac{D}{d}$$

where D is the pitch diameter of larger pulley and d is the pitch diameter of the smaller pulley.

TECHNICAL CALCULATION

Peripheral speed of the belts is determined by

$$v = \frac{d \cdot n_1}{19100}$$

If the drive being calculated is of the V/flat type (one V pulley and one flat pulley) it is necessary to find the corresponding pitch diameter of the flat pulley.

The pitch diameter of the flat faced pulley is obtained by increasing its external diameter by the amount in millimetres shown in the following table:

Z	A	B	C	D	E	19	20	25
8	10	14	20	24	33	16	15	19

PITCH LENGTH OF THE BELT AND CORRECT CENTER DISTANCE

Whenever the shaft center distance l is not predetermined by the layout of the drive, the optimum distance may be chosen as follows:

$$1 < i < 3 \quad l \geq \frac{(i+1) \cdot d}{2} + d$$

$$i > 3 \quad l \geq D$$

The pitch length is determined by:

$$L' = 2 \cdot l + 1,57 \cdot (D+d) + \frac{(D-d)^2}{4l}$$

From the list of belt sizes, should be selected the belt pitch length L_p nearest to the value of L' above calculated. Since $L' \neq L_p$ the center distance " l " may be varied by subtracting half $L' - L_p$. Therefore the effective center distance of the drive will be:

$$l_e = l - \frac{(L' - L_p)}{2}$$

NUMBER OF BELTS

The basic performance P_b is the power which a single belt transmits under the following conditions:

- $i = 1$

This configuration corresponds to 180° arc of contact belt on both pulleys;

- $i \neq 1$

The difference of kW-rating P_d is the power which the belt transmits in excess of P_b because $i \neq 1$ in service conditions. The actual kW-rating P_a is the power which the belt transmits in operating conditions and is obtained by means of:

$$P_a = (P_b + P_d) \times C_g \times C_L$$

Table 4 (see belt family pages) gives the values of P_b according to RPM and d (smaller diameter) and the values of P_d according to RPM and i .

Table 2 (bottom of this page) and 3 (see belt family pages) give values of the coefficients C_γ and C_L taking into account the operating conditions.

The arc of contact γ of the belt on the smaller pulley is determined by:

$$\gamma = 180^\circ - 57 \cdot \frac{D-d}{l_e}$$

The number of belts Q necessary for the transmission of the power P_c is determined by:

$$Q = \frac{P_c}{P_a}$$

The number of belts actually is obtained in general by rounding up Q to the next highest whole number.

TABLE 1 - TYPE OF MOTOR

Applications	Drivers					
	(1)			(2)		
	Daily operating hours					
	0-8 ⁽¹⁾	8-16 ⁽¹⁾	16-24 ⁽¹⁾	0-8 ⁽²⁾	8-16 ⁽²⁾	16-24 ⁽²⁾
Light use Centrifugal pumps and compressors, belt conveyors, (light materials) fans and pumps up to 7,5 kW.	1,1	1,1	1,2	1,1	1,2	1,3
Normal use Shears for steel sheet presses, belt and chain conveyors, (heavy material) sifters, generator sets, machine tools, kneading machines, industrial washing machines, printing presses, fans and pumps over 7,5 kW.	1,1	1,2	1,3	1,2	1,3	1,4
Heavy use Hammer mills, piston compressors, belt conveyors for heavy loads, lifters, textile machines, continuous paper machines, piston and dredging pumps, ripping saws.	1,2	1,3	1,4	1,4	1,5	1,6
Extra heavy use High power mills, stone crushers, calendars, mixer, cranes, diggers, dredgers.	1,3	1,4	1,5	1,5	1,6	1,8

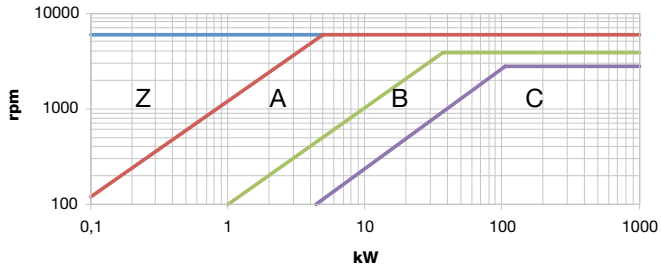
TABLE 2 - Correction factor C_γ (T/T=V/V drives; T/P=V/Flat drives; γ =arc of contact on the smaller pulley)

γ	180°	175°	170°	165°	160°	155°	150°	145°	140°	135°	130°	125°	120°	115°	110°	105°	100°	90°
C_γ T/T	1	0,99	0,98	0,96	0,95	0,93	0,92	0,90	0,89	0,87	0,86	0,84	0,82	0,80	0,78	0,76	0,74	0,69
C_γ T/P	0,75	0,76	0,77	0,79	0,80	0,81	0,82	0,83	0,84	0,85	0,86	0,84	0,82	0,80	0,78	0,76	0,74	0,69

WRAPPED V-BELTS SELECTION CHARTS

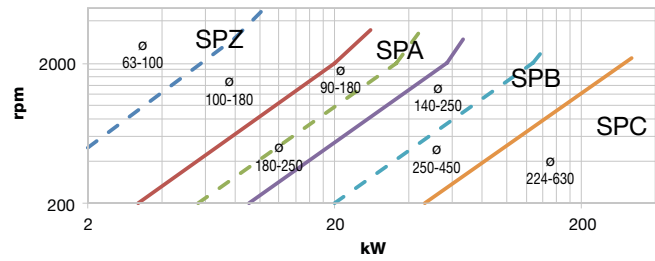
Classical wrapped V-belts

EXTRA

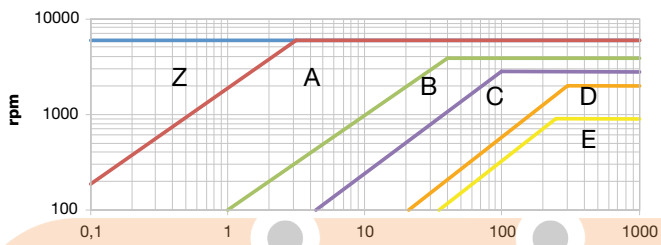


Narrow wrapped V-belts DIN

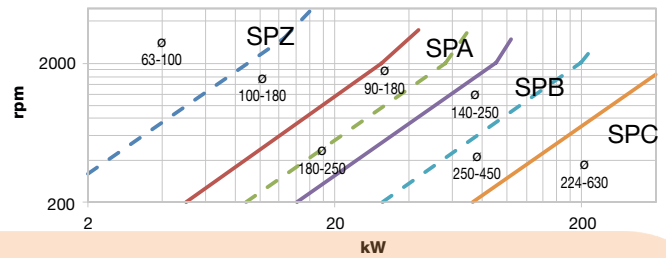
EXTRA



OLEOSTATIC GOLD

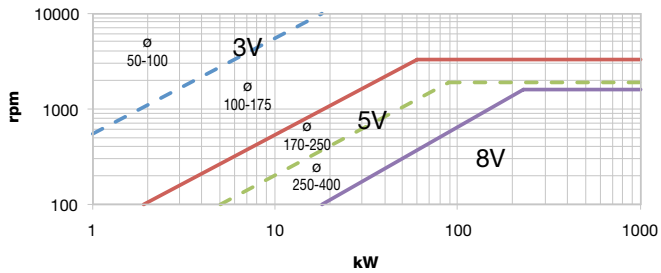


OLEOSTATIC GOLD

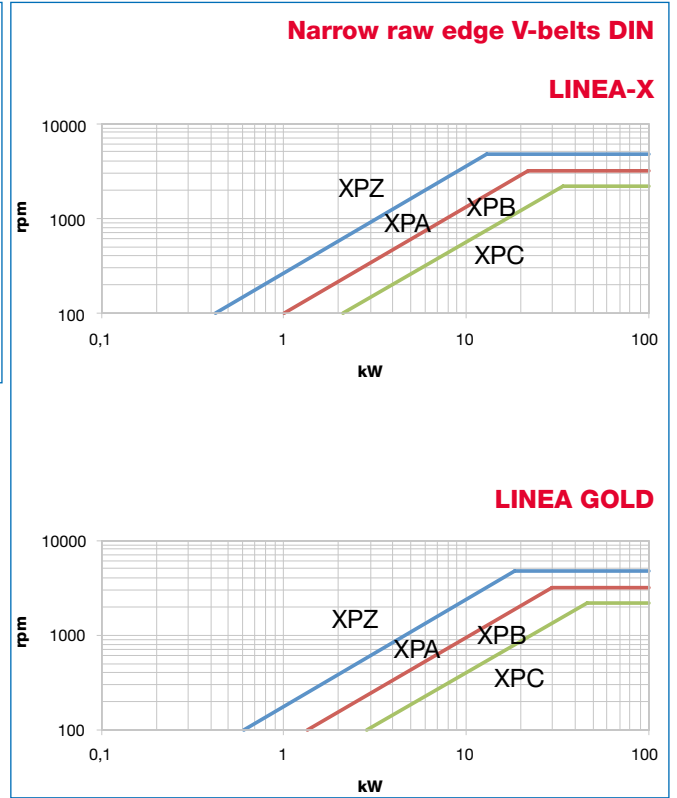
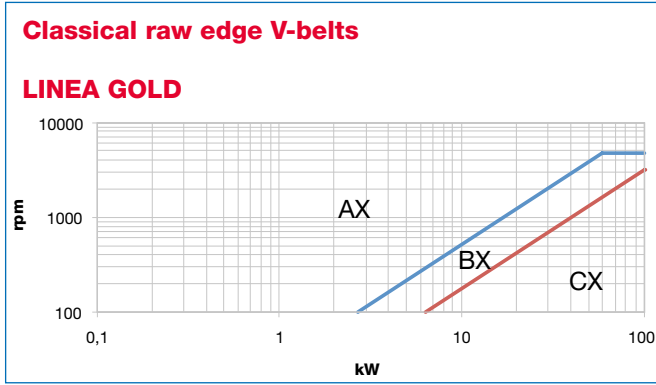


Narrow wrapped V-belts RMA

OLEOSTATIC



RAW EDGE V-BELTS SELECTION CHARTS



KEILRIEMEN.AT

CALCULATION EXAMPLE

EXAMPLE

$P = 22 \text{ kW}$

$n_1 = 1200 \text{ RPM}$

$n_2 = 660 \text{ RPM}$

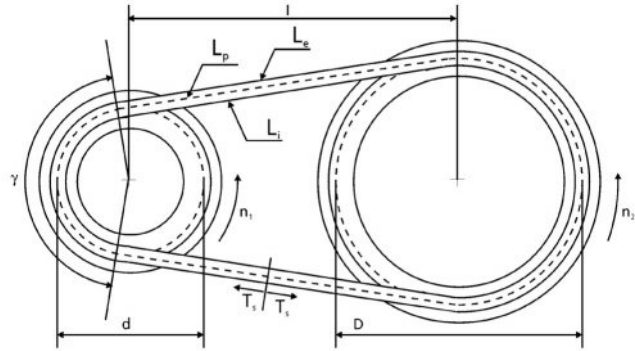
Textile machine operating 12 hours a day

Type of motor: ac electric motor, normal torque

The correction coefficient is 1,3 (see table 1)

The corrected power is:

$$P_c = 22 \cdot 1,3 = 28,6 \text{ kW}$$



BELT SELECTION

From selection charts, for $P_c = 28,6$ and $n_1 = 1200 \text{ RPM}$ it is appropriate to choose section B.

TRANSMISSION RATIO

The transmission ratio can be calculated as follows:

$$i = \frac{n_1}{n_2} = \frac{1200}{660} = 1,82$$

Considering diameter $d = 250 \text{ mm}$ for the smaller pulley, the pitch diameter of the larger pulley is:

$$D = i \cdot d = 1,82 \cdot 250 = 455 \text{ mm}$$

Peripheral speed of the belts is determined by

$$v = \frac{d \cdot n_1}{19100}; \quad v = \frac{0,052 \cdot 250 \cdot 1200}{19100} = 15,7 \text{ m/s}$$

BELT PITCH LENGTH AND CORRECT CENTER DISTANCE

For $i = 1,82$ (i.e. $1 < i < 3$) the center distance is given by:

$$l \geq \frac{(i+1) \cdot d}{4} + d \quad \text{so} \quad l = 610 \text{ mm}$$

The pitch length of the belt is determined by:

$$L' = 2 \cdot l + 1,57 \cdot (D+d) + \frac{(D-d)^2}{4 \cdot l};$$

$$L' = 2 \cdot 610 + 1,57 \cdot (455+250) + \frac{(455-250)^2}{4 \cdot 610} = 2344 \text{ mm}$$

From the list of belt sizes (see table on belt family pages), should be selected the belt pitch length L_p nearest to the value of L' previously calculated.

The center distance "l" may be varied by subtracting half $L' - L_p$. Therefore the effective centre distance of the drive will be:

$$l_e = l - \frac{L' - L_p}{2}$$

Having selected **Oleostatic Gold B 91** ($L_p = 2355 \text{ mm}$), the actual shaft center distance is calculated by:

$$l_e = 610 - \frac{2344 - 2355}{2} = 615,5 \text{ mm}$$

From table 4 of B section (d=250 mm; 1200 RPM; K=1,82):

$$P_b = 11,57 \text{ kW}$$

$$P_d = 0,48 \text{ kW}$$

The arc of contact γ of the belt on the smaller pulley is determined by:

$$\gamma = 180^\circ - 57 \cdot \frac{D-d}{l_e} = 180^\circ - 57 \cdot \frac{455-250}{616} \cong 161^\circ$$

From table 2 for $\gamma = 161^\circ$

$$C_\gamma = 0,95$$

From table 3, pag 19 for **Oleostatic Gold B 91** belt

$$C_L = 1,00$$

Therefore:

$$P_a = (11,57+0,48) \cdot 0,95 \cdot 1,00 = 11,45 \text{ kW}$$

The number of belts Q necessary for transmission of the power P_c is established by:

$$Q = \frac{P_c}{P_a} = \frac{28,6}{11,45} = 2,5$$

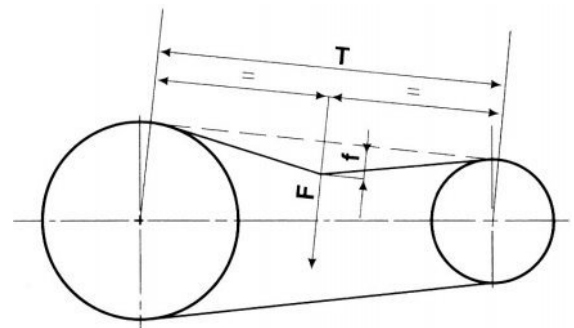
Round up to 3 belts **Oleostatic Gold B 91**.

BELT TENSIONING RECOMMENDATION

The correct belt assembling tension is given by:

$$T_s = 500 \cdot \frac{2,5-C_\alpha}{C_\alpha} \cdot \frac{P_c}{Q \cdot v} + m \cdot v^2$$

Symbol	Unit	Definition
C_α		arc correction factor
m	kg/m	belt linear mass (see belt family page)
P_c	kW	corrected power
Q		number of belts
T_s	N/strand	static belt tension
v	m/s	peripheral belt speed
α	°	arc of contact



Arc correction factor:

α [°]	180	174	169	163	157	151	145	139	133	127	120	113	106	99	91	83
C_α	1,00	0,98	0,97	0,96	0,94	0,93	0,91	0,89	0,87	0,85	0,82	0,80	0,77	0,73	0,70	0,65

LENGTH MEASURING AND GROOVE PULLEYS

BELT LENGTH MEASURING

The first and easiest way for measuring the V-belt length is by placing the belt on a flat surface, giving the belt a circular shape and finally measuring the internal length L_i by means of a measuring tape. Adding Δ_i and after Δ_e (see belt families pages) to this length, it's possible to calculate respectively L_p and L_e .

This measuring way is not very precise, even if practically easy and feasible with a tape only.

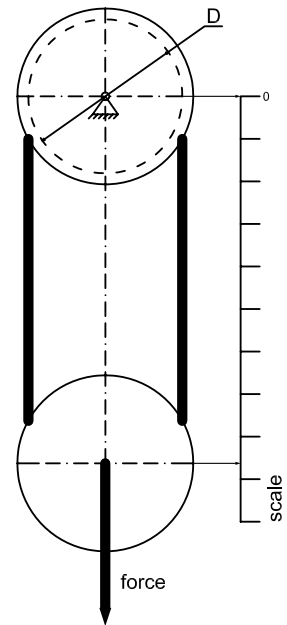
The correct way for measuring the V-belt length is by means of pulleys and dynamometer. The belt is put on 2 pulleys, specific for the family and size of the belt and having the same pitch diameter. One is fixed while the second can move on a linear graduated scale. Depending on the belt, a certain force is applied to the second pulley in order to put the complete system under tension. The correct force is tabled the relevant standards referring to the belt family.

To stabilize the system, at least 3 rotations of the pulleys are required.

The pitch length L_p is given by the pulleys pitch diameter D and center distance a in the formula:

$$L_p = 2 a * \pi_D$$

Subtracting Δ_i and adding Δ_e (see belt families pages) it's possible to calculate respectively L_i and L_e .



GROOVE PULLEYS

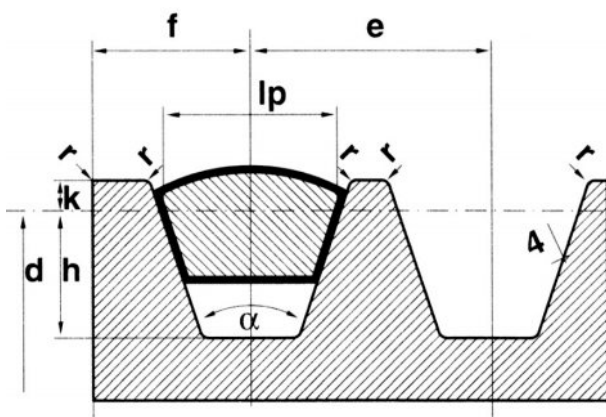
Groove pulleys for V-belts must be manufactured with care and be made of good quality steel or engineering cast iron. It is most important that the flanks of the grooves shall be perfectly smooth and show no visible sign of machining, that all sharp corners of the grooves shall be rounded off and chamfered and that the external diameter of the face shall be constant overall.

All pulleys must also be statically balanced.

Dynamic balancing is required for speeds over 30 m/second.

Profile and dimension of pulley should be in accordance to DIN 2211, BS 3790, ISO, RMA depending on the belt relevant standard.

In the drawing are shown the main characteristics and dimensions of groove pulleys for V-belts (example referring to Oleostatic belts).



- lp** = pitch width
- k** = minimum height of groove above the pitch line
- h** = minimum depth of groove below the pitch line
- α** = groove angle
- d** = pitch diameter
- e** = distance between the axes of the sections of two grooves
- f** = distance between the axis of the section of the outer groove and the rim of the pulley

LENGTH MEASURING AND GROOVE PULLEYS

The use of idlers in V-belt drives is not recommended.

However, due to particular drive requirements and limitations, use of idlers may be absolutely necessary.

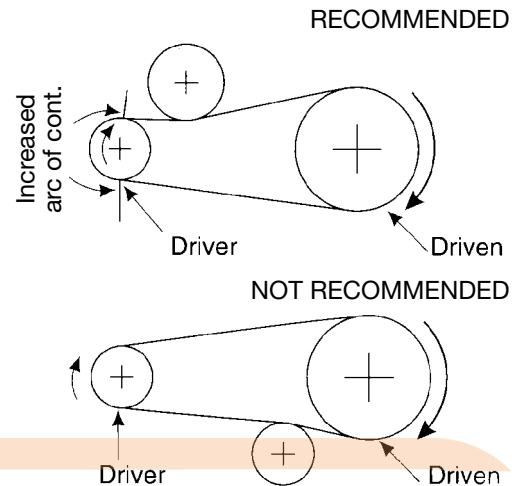
For using idlers, requirements are as follows:

1. Providing take-up for fixed center drives.
2. Turning corners (as in mule pulley drives).
3. Breaking up long spans where belt whip may be a problem.
4. Maintaining tension, when idler is spring-loaded or weighted.

A power correction (see below) is required.

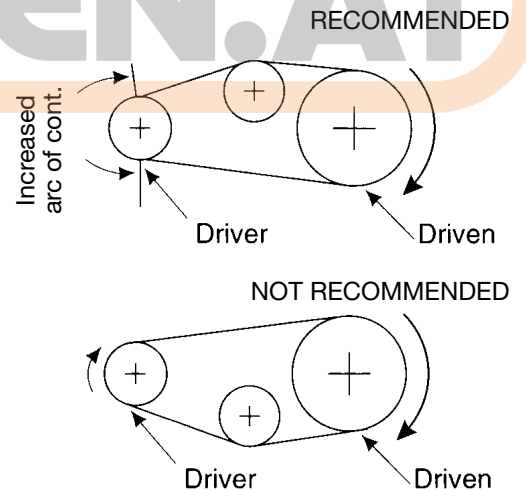
OUTSIDE IDLER

1. An outside idler should be at least one and one-third times as large as the smallest pulley on the drive, unless drive has unusually large pulleys.
2. An outside idler must be flat and without any crown.
3. To find the face width of a flat idler (between flanges if flanged) add 1 ½ times the nominal belt top width to the face width of the grooved pulley used.
4. An outside idler pulley should be located as close as possible to the preceding pulley. This is because V-belts move back and forth slightly on a flat pulley and locating it as far away from the next pulley minimizes the possibility of the belt entering that pulley in a misaligned condition.
5. Idler pulleys should be located only on the slack side of a drive.



INSIDE IDLER

1. An inside idler will decrease the arc of contact.
2. An inside idler should be at least as large as the smallest pulley on the drive, unless the drive has unusually large pulleys.
3. An inside idler should better be a grooved pulley. In alternative, flat pulleys can be used.
4. A grooved inside idler pulley may be located anywhere along the span, preferably so that it gives nearly equal arcs of contact on the two adjacent pulleys.
5. Idler pulleys should be located only on the slack side of a drive.



RATED POWER CORRECTION

Because idlers impose an additional bending stress point on the V-belt, the transmittable power is reduced.

The smaller the idler diameter, the greater the bending stress, which results in a greater reduction in rated power and belt life.

To compensate this loss, the design power of the drive must be increased.

The following table gives the approximate correction factors according to the number of pulleys in the drive.

The normal power rating should be multiplied by this factor.

No. of pulleys in drive	2	3 (one idler)	4 (two idlers)
Rating Correction Factor	1,00	0,90	0,80

Note:

As stated, the above listed factors are only approximate values and apply only when idler diameters and their location is in accordance with the above recommendations.

STORAGE MAINTENANCE AND USEFUL ADVICES

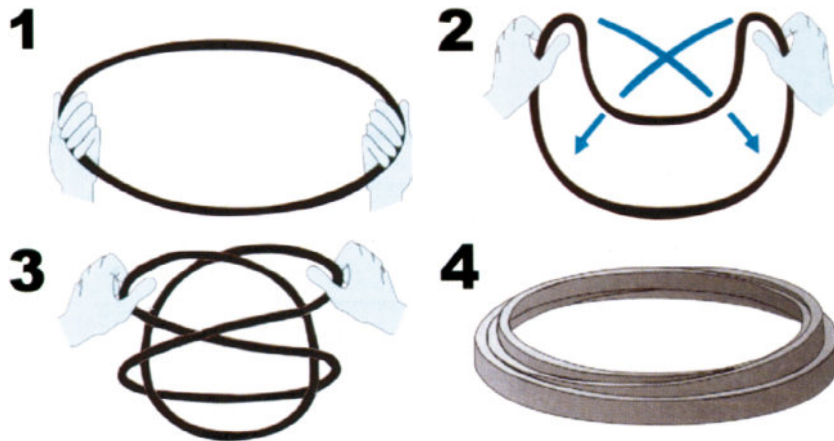
HOW TO STORE BELTS

In order to store V-Belts correctly, it is advisable to hang them on “saddles” or on large-diameter tubular brackets. This diameter should be at least ten times the height of belts cross section.

Long belts can be stacked to save space, provided that they are correctly coiled (see figures).

Short belts can be stored on shelves, but be aware that stacks should not be more than 300 mm high, as the bottom belts may be otherwise deformed.

Finally, hooks and nails are unsuitable for suspending the belts.



CONDITIONS OF STORAGE

Rubber V-belts can be stored for several years without causing any performance or reliability loss.

For a correct storage, some prescription have to be taken into account.

- Environment

The storage premises should be cool, dry and well ventilated but not draughty.

- Temperature

Storage temperature should be within +5 and +30°C.

Lower temperatures causes stiffening in the belt but are accepted in the storage. In order to avoid damages in the start-up, it becomes necessary to heat the belt up to around 20° before making it run on the machine.

Higher temperatures due to heating are to be avoided. Distance from heating sources should be at least 1 meter.

- Light

Belts should be protected from light, especially direct sunlight and artificial light with high ultraviolet rays (neon light).

- Ozone

Equipments generating ozone, like high voltage electrical machines or fluorescent light sources, should not be installed in the storage.

Also combustion gases and vapours, that can cause ozone, should be avoided.

- Chemicals

Flammable materials, lubricants, acids and any other aggressive material should not be kept in the storage. Belts elastomers may be affected or even irreparably damaged by such agents.

CLEANING

Never clean V-belts. If you need, for any reason, to clean belts use a dry towel or one soaked with a glycerine/alcohol mixture in the ratio 1:10. Other solvents such as petrol or benzene must not be used.

Sharp-edged objects must not be used for cleaning V-belts.

To ensure a long service life and high performances, it is important to design correctly the application and to take care of correct installation, maintenance and storage of the belt.

A drive must be designed in such a way to make proper provision for both installation and tensioning of the V-belts. For this purpose a take-up device is necessary; a slide adjuster on the motor is recommended to simplify installation and permit optimum tensioning.

Table 5 (see belt family pages) provides minimum variation of center distance permitted for installation and tensioning of the belts.

x	=	Take up allowance
y	=	Installation allowance
l	=	Center distance

Furthermore, the following rules must always be observed:

- 1) check the alignment of the drive pulleys;
- 2) make sure that the flanks of the grooves are clean;
- 3) adjust the tensioner to stretch the belts sufficiently;
- 4) check the tension (see following section);
- 5) check correct diameter for tensioning pulley;
- 6) protect belt from oil and other chemicals;
- 7) when installing belts, slack off tensioner and avoid using tools or implements which may damage the belts.

Pulleys with large diameters increase belt life. They must be statically balanced up to the speed of 30 m/s and dynamically balanced over this value.

TENSIONING SYSTEM

The satisfactory performance of a transmission equipped with V-belts depends on the correct fitting tension. It is therefore necessary to proceed in the following way, using the slide adjuster:

Belt tension control by deflection method

The approximate relation among deflection force, belt deflection and belt tension is given by:

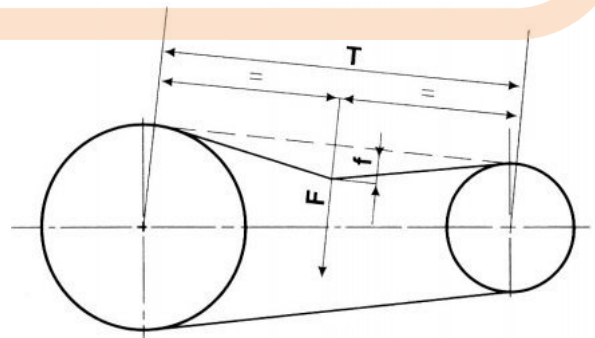
$$T_s \approx \frac{f \cdot t}{4 \cdot f}$$

Imposing a belt deflection

$$f = \frac{t}{64}$$

the deflection force should be in the range

$$F_{\min} \approx F' = \frac{T_s}{16} \quad F_{\max} \approx F'' = \frac{1,5 \cdot T_s}{16}$$



where:

Symbol	Unit	Definition
F	N	perpendicular deflection force
f	mm	belt deflection
t	mm	free span length
T_s	N/strand	static belt tension (see page 9)

Belt tension control by vibration method

$$\text{Belt vibration frequency: } F_r^2 = \frac{T_s}{4 \cdot m \cdot t^2}$$

Symbol	Unit	Definition
F_r	Hz	natural frequency of belt
m	kg/m	specific belt mass
t	m	free span length
T_s	N/strand	static belt tension (see page 9)

CLASSICAL WRAPPED V-BELTS



KEILRIEMEN

CLASSICAL WRAPPED V-BELTS Extra - Oleostatic - Oleostatic Gold

BELT CHARACTERISTICS

section	Z	A	B	C	D	E	20	25	45	50
a (mm)	10	13	17	22	32	40	20	25	45	50
s (mm)	6	8	11	14	19	25	12,5	16	20	20
pitch length - internal length = Δi (mm)	25	33	43	62	76	105	48	61	91	85
external length - pitch length = Δe (mm)	13	17	26	26	43	52	31	39	35	41
weight (gr/m)	60	100	175	300	610	930	240	400	1200	1365
min. pulley diam. (mm)	60	90	125	200	300	500	160	250	320	320
working temperature	-30°C / +80°C									
relevant standards	RMA/MPTA IP20 - DIN 2215 - ISO 4184									
relevant antistatic standard	ISO 1813									
materials	SBR and/or CR blend - polyester cord - cotton/polyester fabric									

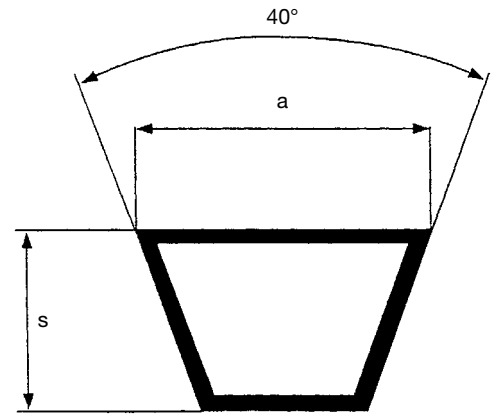


TABLE 3 - CORRECTION FACTOR C_L according to type and length of the belt

inches	9½	16	22	24	28	32	35	48	53	75	81	90	128	144	180	210	285	330	420	540	720	780	
Z	0,69	0,77	0,82	0,84	0,87	0,89	0,91	0,98	1,00														
A		0,73	0,79	0,80	0,83	0,85	0,87	0,93	0,95	1,03	1,05	1,07	1,16	1,19	1,25	1,29							
B			0,73	0,75	0,77	0,80	0,81	0,87	0,89	0,96	0,98	1,00	1,08	1,11	1,16	1,20	1,29	1,33	1,40				
C						0,72	0,73	0,79	0,80	0,87	0,88	0,90	0,97	1,00	1,05	1,09	1,16	1,20	1,27				
D												0,80	0,87	0,89	0,94	0,97	1,04	1,07	1,13	1,20	1,27		
E															0,90	0,94	1,00	1,03	1,09	1,15	1,23	1,25	
20										0,91	0,93	0,95	1,02	1,05	1,10	1,14	1,22						
25										0,82	0,83	0,85	0,92	0,95	1,00	1,03	1,10	1,13					

TABLE 5 - INSTALLATION AND TAKE UP ALLOWANCE

L (mm)	Y (mm)								X (mm)
	Z	A	B	C	D	E	20	25	
500 / 1000	15	19	25						25
1001 / 1500	15	19	25	38				38	38
1501 / 2500	19	19	32	38				38	51
2501 / 3000		25	32	38				38	63
3001 / 4000		25	38	38	51			38	75
4001 / 5000				51	51	63		51	90
5001 / 6000				51	51	63	63	51	101
6001 / 7000				51	63	63	63	51	113
7001 / 8500				51	63	76	76	51	127
8501 / 10500				51	63	76	76	51	152
> 10501					76	90		76	1,5% L

CLASSICAL WRAPPED V-BELTS



Code	Internal length LI (mm)	Code	Internal length LI (mm)	Code	Internal length LI (mm)	Code	Internal length LI (mm)	Code	Internal length LI (mm)	Code	Internal length LI (mm)	Code	Internal length LI (mm)
Z 16	410	Z 23 3/4	605	Z 30 3/4	785	Z 37	945	Z 44	1120	Z 56	1422	Z 69	1750
Z 18	460	Z 24	610	Z 31	787	Z 37 1/2	950	Z 45	1145	Z 57	1450	Z 70	1778
Z 19	480	Z 24 3/4	630	Z 31 1/2	800	Z 38	965	Z 46	1180	Z 58	1473	Z 71	1803
Z 19 1/2	500	Z 25	635	Z 32	815	Z 38 1/4	975	Z 47	1194	Z 59	1500	Z 73	1855
Z 20	508	Z 25 1/2	650	Z 32 1/2	825	Z 38 1/2	978	Z 47 3/4	1215	Z 59 1/2	1515	Z 75	1905
Z 20 1/2	520	Z 26	660	Z 33	840	Z 39	1000	Z 48	1225	Z 60	1525	Z 78	1982
Z 21	530	Z 26 1/2	670	Z 33 1/2	850	Z 40	1016	Z 48 1/2	1232	Z 61	1550	Z 79	2007
Z 21 1/4	540	Z 27	685	Z 34	865	Z 40 1/2	1030	Z 49	1245	Z 62	1575	Z 83 1/2	2100
Z 21 1/2	545	Z 27 1/2	700	Z 34 1/2	875	Z 41	1040	Z 50	1270	Z 63	1600	Z 88	2235
Z 21 3/4	555	Z 28	710	Z 34 1/4	870	Z 41 1/2	1050	Z 50 1/2	1285	Z 64	1625	Z 93	2360
Z 22	560	Z 28 1/2	725	Z 35	890	Z 41 3/4	1060	Z 51	1300	Z 65	1651	Z 98	2489
Z 22 1/4	565	Z 29	735	Z 35 1/2	900	Z 42	1070	Z 52	1320	Z 66	1675		
Z 22 1/2	575	Z 29 1/2	750	Z 36	915	Z 42 1/2	1080	Z 53	1345	Z 67	1700		
Z 23	585	Z 30	765	Z 36 1/2	925	Z 43	1090	Z 54	1371	Z 68	1727		
Z 23 1/2	600	Z 30 1/2	775	Z 36 3/4	935	Z 43 1/4	1100	Z 55	1400	Z 68 1/2	1740		

TABLE 4 - P_b (kW) referred to Ø (mm)

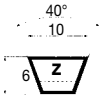
RPM / Ø	40	45	50	56	71	80	90	100	112	125	132	150
100	0,02	0,03	0,03	0,04	0,06	0,07	0,09	0,10	0,12	0,13	0,14	0,17
200	0,03	0,05	0,06	0,08	0,11	0,14	0,16	0,19	0,22	0,25	0,27	0,32
500	0,06	0,10	0,13	0,16	0,26	0,31	0,37	0,43	0,50	0,58	0,62	0,72
700	0,08	0,12	0,17	0,22	0,34	0,42	0,50	0,58	0,68	0,78	0,84	0,98
900	0,10	0,15	0,20	0,27	0,43	0,52	0,62	0,73	0,85	0,97	1,04	1,22
1.000	0,10	0,16	0,22	0,29	0,47	0,57	0,68	0,80	0,93	1,07	1,14	1,33
1.400	0,13	0,21	0,29	0,38	0,62	0,76	0,91	1,06	1,24	1,42	1,52	1,77
1.500	0,13	0,22	0,30	0,41	0,66	0,81	0,97	1,12	1,31	1,51	1,61	1,88
1.700	0,14	0,24	0,33	0,45	0,73	0,89	1,07	1,25	1,45	1,67	1,79	2,07
1.800	0,14	0,25	0,35	0,47	0,76	0,94	1,12	1,31	1,52	1,75	1,87	2,17
2.500	0,17	0,31	0,44	0,60	0,99	1,22	1,46	1,69	1,96	2,24	2,39	2,73
2.900	0,18	0,33	0,49	0,67	1,11	1,36	1,63	1,88	2,18	2,47	2,62	2,97
3.000	0,18	0,34	0,50	0,68	1,13	1,39	1,67	1,93	2,22	2,52	2,67	3,02
3.500	0,18	0,37	0,55	0,76	1,26	1,55	1,84	2,13	2,44	2,74	2,88	3,20
3.600	0,18	0,37	0,56	0,77	1,28	1,57	1,88	2,16	2,47	2,77	2,92	3,22
4.000	0,18	0,39	0,59	0,82	1,37	1,68	1,99	2,28	2,59	2,88	3,01	3,26*
5.000	0,17	0,41	0,65	0,92	1,54	1,86	2,19	2,46	2,71	2,90*	2,95*	
6.000	0,14	0,41	0,67	0,97	1,62	1,94	2,22	2,42*				



P_d (kW) referred to i

RPM / i	1,00/1,01	1,02/1,03	1,04/1,06	1,07/1,08	1,09/1,12	1,13/1,16	1,17/1,22	1,23/1,32	1,33/1,50	over 1,51
100	0,00	0,00	0,00	0,00	0,00	0,00	0,00	0,00	0,00	0,00
200	0,00	0,00	0,00	0,00	0,00	0,00	0,00	0,01	0,01	0,01
500	0,00	0,00	0,00	0,01	0,01	0,01	0,01	0,01	0,02	0,02
700	0,00	0,00	0,01	0,01	0,01	0,01	0,02	0,02	0,02	0,03
900	0,00	0,00	0,01	0,01	0,01	0,02	0,02	0,03	0,03	0,03
1.000	0,00	0,00	0,01	0,01	0,02	0,02	0,02	0,03	0,03	0,04
1.400	0,00	0,01	0,01	0,02	0,02	0,03	0,03	0,04	0,05	0,05
1.500	0,00	0,01	0,01	0,02	0,02	0,03	0,04	0,04	0,05	0,05
1.700	0,00	0,01	0,01	0,02	0,03	0,03	0,04	0,05	0,05	0,06
1.800	0,00	0,01	0,01	0,02	0,03	0,04	0,04	0,05	0,06	0,07
2.500	0,00	0,01	0,02	0,03	0,04	0,05	0,06	0,07	0,08	0,09
2.900	0,00	0,01	0,02	0,04	0,05	0,06	0,07	0,08	0,09	0,10
3.000	0,00	0,01	0,02	0,04	0,05	0,06	0,07	0,08	0,10	0,11
3.500	0,00	0,01	0,03	0,04	0,06	0,07	0,08	0,10	0,11	0,13
3.600	0,00	0,01	0,03	0,04	0,06	0,07	0,09	0,10	0,12	0,13
4.000	0,00	0,02	0,03	0,05	0,06	0,08	0,10	0,11	0,13	0,14
5.000	0,00	0,02	0,04	0,06	0,08	0,10	0,12	0,14	0,16	0,18
6.000	0,00	0,02	0,05	0,07	0,10	0,12	0,15	0,17	0,19	0,22

* Belt speed is greater than 30 m/s then is necessary to use dynamically balanced pulleys. A reduction in belt life can be expected. Suggested a smaller section.



Oleostatic Gold Z SECTION

Code	Internal length LI (mm)	Code	Internal length LI (mm)	Code	Internal length LI (mm)	Code	Internal length LI (mm)	Code	Internal length LI (mm)	Code	Internal length LI (mm)	Code	Internal length LI (mm)
Z 16	410	Z 23 3/4	605	Z 30 3/4	785	Z 37	945	Z 44	1120	Z 56	1422	Z 69	1750
Z 18	460	Z 24	610	Z 31	787	Z 37 1/2	950	Z 45	1145	Z 57	1450	Z 70	1778
Z 19	480	Z 24 3/4	630	Z 31 1/2	800	Z 38	965	Z 46	1180	Z 58	1473	Z 71	1803
Z 19 1/2	500	Z 25	635	Z 32	815	Z 38 1/4	975	Z 47	1194	Z 59	1500	Z 73	1855
Z 20	508	Z 25 1/2	650	Z 32 1/2	825	Z 38 1/2	978	Z 47 3/4	1215	Z 59 1/2	1515	Z 75	1905
Z 20 1/2	520	Z 26	660	Z 33	840	Z 39	1000	Z 48	1225	Z 60	1525	Z 78	1982
Z 21	530	Z 26 1/2	670	Z 33 1/2	850	Z 40	1016	Z 48 1/2	1232	Z 61	1550	Z 79	2007
Z 21 1/4	540	Z 27	685	Z 34	865	Z 40 1/2	1030	Z 49	1245	Z 62	1575	Z 83 1/2	2100
Z 21 1/2	545	Z 27 1/2	700	Z 34 1/2	875	Z 41	1040	Z 50	1270	Z 63	1600	Z 88	2235
Z 21 3/4	555	Z 28	710	Z 34 1/4	870	Z 41 1/2	1050	Z 50 1/2	1285	Z 64	1625	Z 93	2360
Z 22	560	Z 28 1/2	725	Z 35	890	Z 41 3/4	1060	Z 51	1300	Z 65	1651	Z 98	2489
Z 22 1/4	565	Z 29	735	Z 35 1/2	900	Z 42	1070	Z 52	1320	Z 66	1675		
Z 22 1/2	575	Z 29 1/2	750	Z 36	915	Z 42 1/2	1080	Z 53	1345	Z 67	1700		
Z 23	585	Z 30	765	Z 36 1/2	925	Z 43	1090	Z 54	1371	Z 68	1727		
Z 23 1/2	600	Z 30 1/2	775	Z 36 3/4	935	Z 43 1/4	1100	Z 55	1400	Z 68 1/2	1740		

TABLE 4 - P_b (kW) referred to Ø (mm)

RPM / Ø	40	45	50	56	63	71	80	85	90	95	100	106	112	125	132	140	150
100	0,03	0,04	0,05	0,06	0,07	0,09	0,11	0,12	0,13	0,14	0,14	0,16	0,17	0,19	0,21	0,22	0,24
200	0,05	0,07	0,09	0,11	0,13	0,16	0,20	0,22	0,24	0,25	0,27	0,29	0,32	0,36	0,39	0,42	0,45
300	0,06	0,09	0,12	0,15	0,19	0,24	0,28	0,31	0,34	0,36	0,39	0,42	0,46	0,52	0,56	0,60	0,65
400	0,08	0,12	0,15	0,20	0,25	0,30	0,37	0,40	0,44	0,47	0,51	0,55	0,59	0,68	0,73	0,78	0,85
500	0,09	0,14	0,18	0,24	0,30	0,37	0,45	0,49	0,53	0,58	0,62	0,67	0,72	0,83	0,89	0,95	1,04
600	0,10	0,16	0,21	0,28	0,35	0,43	0,52	0,58	0,63	0,68	0,73	0,79	0,85	0,98	1,04	1,12	1,22
700	0,12	0,18	0,24	0,31	0,40	0,49	0,60	0,66	0,72	0,78	0,83	0,90	0,97	1,12	1,20	1,29	1,40
800	0,13	0,20	0,27	0,35	0,45	0,55	0,67	0,74	0,81	0,87	0,94	1,02	1,09	1,26	1,35	1,45	1,57
900	0,14	0,22	0,29	0,39	0,49	0,61	0,75	0,82	0,89	0,97	1,04	1,13	1,21	1,40	1,49	1,61	1,74
1000	0,15	0,23	0,32	0,42	0,54	0,67	0,82	0,90	0,98	1,06	1,14	1,23	1,33	1,53	1,64	1,76	1,91
1200	0,17	0,27	0,37	0,49	0,63	0,78	0,96	1,05	1,15	1,24	1,33	1,45	1,56	1,79	1,92	2,06	2,23
1400	0,18	0,30	0,41	0,55	0,71	0,89	1,09	1,20	1,31	1,41	1,52	1,65	1,77	2,04	2,18	2,34	2,54
1600	0,20	0,33	0,46	0,61	0,79	0,99	1,22	1,34	1,46	1,58	1,70	1,84	1,98	2,28	2,44	2,62	2,83
1800	0,21	0,35	0,50	0,67	0,87	1,10	1,34	1,48	1,61	1,74	1,88	2,03	2,18	2,51	2,68	2,87	3,11
2000	0,22	0,38	0,54	0,73	0,95	1,19	1,46	1,61	1,76	1,90	2,04	2,21	2,38	2,73	2,91	3,11	3,36
2400	0,24	0,43	0,62	0,84	1,09	1,38	1,69	1,86	2,03	2,19	2,35	2,54	2,73	3,12	3,33	3,55	3,82
2800	0,25	0,47	0,68	0,94	1,22	1,55	1,90	2,09	2,27	2,46	2,64	2,84	3,05	3,47	3,68	3,91	4,18
3200	0,26	0,50	0,74	1,03	1,35	1,70	2,09	2,29	2,50	2,69	2,88	3,11	3,32	3,75	3,97	4,20	4,46
3500	0,26	0,53	0,78	1,09	1,43	1,81	2,22	2,43	2,65	2,85	3,05	3,28	3,49	3,92	4,13	4,35	4,59
4000	0,26	0,56	0,84	1,18	1,55	1,97	2,40	2,64	2,86	3,07	3,27	3,50	3,72	4,12	4,31	4,49	4,67
4600	0,26	0,58	0,90	1,27	1,68	2,12	2,59	2,82	3,05	3,26	3,46	3,68	3,87	4,21	4,34	4,44	
5000	0,24	0,59	0,93	1,32	1,75	2,20	2,67	2,91	3,14	3,34	3,53	3,72	3,89	4,15	4,23		

P_d (kW) referred to i

rpm / i	1,00 / 1,01	1,02 / 1,03	1,04 / 1,06	1,07 / 1,08	1,09 / 1,12	1,13 / 1,16	1,17 / 1,22	1,23 / 1,32	1,33 / 1,50	over 1,51
100	0,00	0,00	0,00	0,00	0,00	0,00	0,00	0,00	0,00	0,00
200	0,00	0,00	0,00	0,00	0,00	0,00	0,00	0,01	0,01	0,01
300	0,00	0,00	0,00	0,00	0,01	0,01	0,01	0,01	0,01	0,01
400	0,00	0,00	0,00	0,01	0,01	0,01	0,01	0,01	0,02	0,02
500	0,00	0,00	0,00	0,01	0,01	0,01	0,01	0,02	0,02	0,02
600	0,00	0,00	0,01	0,01	0,01	0,01	0,02	0,02	0,02	0,03
700	0,00	0,00	0,01	0,01	0,01	0,02	0,02	0,02	0,03	0,03
800	0,00	0,00	0,01	0,01	0,02	0,02	0,02	0,03	0,03	0,04
900	0,00	0,00	0,01	0,01	0,02	0,02	0,03	0,03	0,04	0,04
1000	0,00	0,00	0,01	0,01	0,02	0,02	0,03	0,03	0,04	0,04
1200	0,00	0,01	0,01	0,02	0,02	0,03	0,04	0,04	0,05	0,05
1400	0,00	0,01	0,01	0,02	0,03	0,03	0,04	0,05	0,06	0,06
1600	0,00	0,01	0,02	0,02	0,03	0,04	0,05	0,06	0,06	0,07
1800	0,00	0,01	0,02	0,03	0,04	0,04	0,05	0,06	0,07	0,08
2000	0,00	0,01	0,02	0,03	0,04	0,05	0,06	0,07	0,08	0,09
2400	0,00	0,01	0,02	0,04	0,05	0,06	0,07	0,08	0,09	0,11
2800	0,00	0,01	0,03	0,04	0,06	0,07	0,08	0,10	0,11	0,12
3200	0,00	0,02	0,03	0,05	0,06	0,08	0,10	0,11	0,13	0,14
3500	0,00	0,02	0,03	0,05	0,07	0,09	0,10	0,12	0,14	0,16
4000	0,00	0,02	0,04	0,06	0,08	0,10	0,12	0,14	0,16	0,18
4600	0,00	0,02	0,05	0,07	0,09	0,11	0,14	0,16	0,18	0,20
5000	0,00	0,02	0,05	0,07	0,10	0,12	0,15	0,17	0,20	0,22

* Belt speed is greater than 30 m/s then is necessary to use dynamically balanced pulleys. A reduction in belt life can be expected. Suggested a smaller section.

CLASSICAL WRAPPED V-BELTS



Extra A SECTION

Code	Internal length LI (mm)	Code	Internal length LI (mm)	Code	Internal length LI (mm)	Code	Internal length LI (mm)	Code	Internal length LI (mm)	Code	Internal length LI (mm)	Code	Internal length LI (mm)
A 18	457	A 31	787	A 41 1/2	1050	A 52 1/2	1337	A 73	1854	A 93	2360	A 132	3350
A 19	480	A 31 1/2	800	A 41 3/4	1060	A 53	1346	A 74	1880	A 94	2388	A 134	3404
A 20	508	A 32	813	A 42	1067	A 53 1/4	1355	A 75	1900	A 95	2413	A 136	3454
A 21	535	A 32 1/2	825	A 42 1/2	1075	A 54	1372	A 76	1930	A 96	2438	A 140	3550
A 21 3/4	552	A 33	838	A 43	1100	A 55	1400	A 77	1956	A 97	2464	A 144	3658
A 22	560	A 33 1/4	847	A 43 1/2	1105	A 56	1422	A 78	1980	A 97 1/2	2475	A 147	3737
A 23	587	A 33 1/2	850	A 43 3/4	1111	A 57	1450	A 79	2000	A 98	2500	A 148	3750
A 23 1/2	600	A 34	867	A 44	1120	A 58	1475	A 80	2032	A 100	2540	A 155	3937
A 24	610	A 34 1/2	875	A 44 1/2	1132	A 59	1500	A 81	2060	A 102	2591	A 158	4000
A 24 1/2	620	A 35	900	A 45	1143	A 60	1525	A 82	2083	A 104	2650	A 162	4115
A 24 3/4	630	A 35 1/2	902	A 45 1/2	1150	A 61	1550	A 83	2100	A 105	2667	A 167	4250
A 25	637	A 36	914	A 46	1168	A 62	1575	A 83 1/2	2120	A 107	2725	A 173	4394
A 25 1/2	647	A 36 1/2	925	A 46 1/2	1180	A 63	1600	A 84	2134	A 108	2743	A 177	4500
A 26	660	A 37	942	A 47	1200	A 64	1625	A 84 1/2	2146	A 110	2800	A 180	4572
A 26 1/2	670	A 37 1/4	946	A 47 1/2	1207	A 65	1650	A 85	2160	A 112	2845	A 187	4750
A 27	686	A 37 1/2	950	A 48	1220	A 66	1676	A 86	2187	A 113	2870	A 197	5000
A 27 1/2	700	A 38	965	A 48 1/4	1225	A 67	1700	A 86 1/2	2200	A 114	2896	A 210	5334
A 28	710	A 38 1/2	975	A 48 1/2	1232	A 68	1725	A 87	2212	A 116	2946	A 217	5477
A 28 1/2	724	A 39	992	A 49	1250	A 69	1750	A 88	2240	A 118	3000		
A 29	737	A 39 1/2	1000	A 50	1270	A 70	1775	A 89	2267	A 120	3048		
A 29 1/2	750	A 40	1016	A 51	1300	A 70 3/4	1780	A 90	2286	A 124	3150		
A 30	767	A 40 1/2	1030	A 51 1/2	1307	A 71	1800	A 91	2311	A 128	3250		
A 30 1/2	775	A 41	1041	A 52	1320	A 72	1825	A 92	2337	A 130	3302		

TABLE 4 - P_b (kW) referred to Ø (mm)

RPM / Ø	71	80	90	100	112	125	132	150	170	190	200	212
100	0,10	0,13	0,17	0,20	0,24	0,29	0,31	0,37	0,44	0,50	0,53	0,57
200	0,18	0,23	0,30	0,36	0,44	0,52	0,57	0,68	0,80	0,93	0,99	1,06
500	0,34	0,48	0,63	0,78	0,95	1,14	1,24	1,50	1,78	2,05	2,19	2,35
700	0,43	0,62	0,82	1,02	1,26	1,51	1,64	1,99	2,36	2,73	2,91	3,13
900	0,51	0,74	0,99	1,24	1,54	1,85	2,02	2,45	2,91	3,37	3,59	3,86
1.000	0,54	0,80	1,07	1,35	1,67	2,02	2,20	2,67	3,17	3,67	3,91	4,20
1.400	0,66	1,00	1,37	1,73	2,16	2,62	2,87	3,48	4,14	4,77	5,08	5,45
1.500	0,68	1,04	1,44	1,82	2,28	2,76	3,02	3,66	4,36	5,02	5,35	5,73
1.700	0,72	1,12	1,56	1,99	2,50	3,03	3,31	4,02	4,77	5,49	5,84	6,24
1.800	0,74	1,16	1,62	2,07	2,60	3,16	3,45	4,19	4,97	5,71	6,07	6,48
2.500	0,83	1,38	1,98	2,56	3,23	3,93	4,29	5,18	6,09	6,91	7,28	7,70
2.900	0,85	1,47	2,13	2,77	3,51	4,26	4,65	5,58	6,51	7,30	7,65	8,01*
3.000	0,85	1,48	2,16	2,82	3,57	4,33	4,73	5,67	6,59	7,36	7,69*	8,04*
3.500	0,84	1,54	2,29	3,01	3,81	4,62	5,02	5,95	6,80	7,43*		
3.600	0,83	1,55	2,31	3,03	3,85	4,65	5,06	5,98	6,80*			
4.000	0,79	1,55	2,36	3,11	3,95	4,76	5,15	6,01*				
5.000	0,58	1,43	2,30	3,07	3,87	4,57*	4,86*					
6.000	0,20	1,09	1,94	2,64*								

P_d (kW) referred to i

RPM / i	1,00/1,01	1,02/1,03	1,04/1,06	1,07/1,08	1,09/1,12	1,13/1,16	1,17/1,22	1,23/1,32	1,33/1,50	over 1,51
100	0,00	0,00	0,00	0,00	0,01	0,01	0,01	0,01	0,01	0,01
200	0,00	0,00	0,01	0,01	0,01	0,02	0,02	0,02	0,03	0,03
500	0,00	0,01	0,02	0,02	0,03	0,04	0,05	0,06	0,07	0,07
700	0,00	0,01	0,02	0,03	0,05	0,06	0,07	0,08	0,09	0,10
900	0,00	0,01	0,03	0,04	0,06	0,07	0,09	0,10	0,12	0,13
1.000	0,00	0,02	0,03	0,05	0,07	0,08	0,10	0,11	0,13	0,15
1.400	0,00	0,02	0,05	0,07	0,09	0,11	0,14	0,16	0,18	0,21
1.500	0,00	0,02	0,05	0,07	0,10	0,12	0,15	0,17	0,20	0,22
1.700	0,00	0,03	0,06	0,08	0,11	0,14	0,17	0,20	0,22	0,25
1.800	0,00	0,03	0,06	0,09	0,12	0,15	0,18	0,21	0,24	0,26
2.500	0,00	0,04	0,08	0,12	0,16	0,20	0,25	0,29	0,33	0,37
2.900	0,00	0,05	0,09	0,14	0,19	0,24	0,29	0,33	0,38	0,43
3.000	0,00	0,05	0,10	0,15	0,20	0,24	0,30	0,34	0,39	0,44
3.500	0,00	0,06	0,11	0,17	0,23	0,29	0,35	0,40	0,46	0,51
3.600	0,00	0,06	0,12	0,18	0,24	0,29	0,36	0,41	0,47	0,53
4.000	0,00	0,07	0,13	0,20	0,26	0,33	0,39	0,46	0,52	0,59
5.000	0,00	0,08	0,16	0,25	0,33	0,41	0,49	0,57	0,65	0,74
6.000	0,00	0,10	0,20	0,29	0,39	0,49	0,59	0,69	0,79	0,88

* Belt speed is greater than 30 m/s then is necessary to use dynamically balanced pulleys. A reduction in belt life can be expected. Suggested a smaller section.



Oleostatic Gold A SECTION

Code	Internal length LI (mm)	Code	Internal length LI (mm)	Code	Internal length LI (mm)	Code	Internal length LI (mm)	Code	Internal length LI (mm)	Code	Internal length LI (mm)	Code	Internal length LI (mm)
A 18	457	A 31	787	A 41 1/2	1050	A 52 1/2	1337	A 73	1854	A 93	2360	A 132	3350
A 19	480	A 31 1/2	800	A 41 3/4	1060	A 53	1346	A 74	1880	A 94	2388	A 134	3404
A 20	508	A 32	813	A 42	1067	A 53 1/4	1355	A 75	1900	A 95	2413	A 136	3454
A 21	535	A 32 1/2	825	A 42 1/2	1075	A 54	1372	A 76	1930	A 96	2438	A 140	3550
A 21 3/4	552	A 33	838	A 43	1100	A 55	1400	A 77	1956	A 97	2464	A 144	3658
A 22	560	A 33 1/4	847	A 43 1/2	1105	A 56	1422	A 78	1980	A 97 1/2	2475	A 147	3737
A 23	587	A 33 1/2	850	A 43 3/4	1111	A 57	1450	A 79	2000	A 98	2500	A 148	3750
A 23 1/2	600	A 34	867	A 44	1120	A 58	1475	A 80	2032	A 100	2540	A 155	3937
A 24	610	A 34 1/2	875	A 44 1/2	1132	A 59	1500	A 81	2060	A 102	2591	A 158	4000
A 24 1/2	620	A 35	900	A 45	1143	A 60	1525	A 82	2083	A 104	2650	A 162	4115
A 24 3/4	630	A 35 1/2	902	A 45 1/2	1150	A 61	1550	A 83	2100	A 105	2667	A 167	4250
A 25	637	A 36	914	A 46	1168	A 62	1575	A 83 1/2	2120	A 107	2725	A 173	4394
A 25 1/2	647	A 36 1/2	925	A 46 1/2	1180	A 63	1600	A 84	2134	A 108	2743	A 177	4500
A 26	660	A 37	942	A 47	1200	A 64	1625	A 84 1/2	2146	A 110	2800	A 187	4750
A 26 1/2	670	A 37 1/4	946	A 47 1/2	1207	A 65	1650	A 85	2160	A 112	2845	A 197	5000
A 27	686	A 37 1/2	950	A 48	1220	A 66	1676	A 86	2187	A 113	2870	A 210	5334
A 27 1/2	700	A 38	965	A 48 1/4	1225	A 67	1700	A 86 1/2	2200	A 114	2896	A 217	5477
A 28	710	A 38 1/2	975	A 48 1/2	1232	A 68	1725	A 87	2212	A 116	2946		
A 28 1/2	724	A 39	992	A 49	1250	A 69	1750	A 88	2240	A 118	3000		
A 29	737	A 39 1/2	1000	A 50	1270	A 70	1775	A 89	2267	A 120	3048		
A 29 1/2	750	A 40	1016	A 51	1300	A 70 3/4	1780	A 90	2286	A 124	3150		
A 30	767	A 40 1/2	1030	A 51 1/2	1307	A 71	1800	A 91	2311	A 128	3250		
A 30 1/2	775	A 41	1041	A 52	1320	A 72	1825	A 92	2337	A 130	3302		

TABLE 4 - P_b (kW) referred to Ø (mm)

RPM / Ø	71	80	85	90	95	100	106	112	125	132	140	150	160	170	180	190	200	212
100	0,15	0,19	0,22	0,24	0,27	0,29	0,32	0,35	0,42	0,45	0,49	0,54	0,58	0,63	0,68	0,73	0,77	0,83
200	0,25	0,34	0,39	0,43	0,48	0,53	0,58	0,64	0,76	0,82	0,90	0,99	1,08	1,16	1,25	1,34	1,43	1,53
300	0,34	0,47	0,54	0,61	0,67	0,74	0,82	0,90	1,07	1,17	1,27	1,40	1,53	1,66	1,79	1,91	2,04	2,19
400	0,42	0,59	0,68	0,76	0,85	0,94	1,04	1,15	1,37	1,49	1,63	1,79	1,96	2,13	2,29	2,46	2,62	2,81
500	0,50	0,70	0,80	0,91	1,02	1,13	1,25	1,38	1,65	1,80	1,96	2,17	2,37	2,58	2,78	2,98	3,17	3,41
600	0,56	0,80	0,93	1,05	1,18	1,31	1,46	1,60	1,93	2,10	2,29	2,53	2,77	3,01	3,24	3,48	3,71	3,98
700	0,63	0,89	1,04	1,19	1,33	1,48	1,65	1,82	2,19	2,38	2,60	2,88	3,15	3,42	3,69	3,96	4,22	4,54
800	0,68	0,98	1,15	1,31	1,48	1,64	1,83	2,03	2,44	2,66	2,91	3,22	3,52	3,83	4,13	4,43	4,72	5,07
900	0,73	1,07	1,25	1,44	1,62	1,80	2,01	2,23	2,68	2,93	3,20	3,55	3,88	4,22	4,55	4,88	5,20	5,59
1000	0,78	1,15	1,35	1,55	1,75	1,95	2,19	2,42	2,92	3,19	3,49	3,86	4,23	4,60	4,96	5,31	5,67	6,08
1200	0,87	1,30	1,54	1,78	2,01	2,24	2,52	2,79	3,37	3,68	4,03	4,47	4,90	5,32	5,73	6,14	6,55	7,03
1400	0,95	1,44	1,71	1,98	2,25	2,51	2,82	3,14	3,80	4,15	4,55	5,04	5,52	5,99	6,46	6,91	7,36	7,89
1600	1,01	1,57	1,87	2,17	2,47	2,76	3,11	3,46	4,20	4,59	5,03	5,57	6,10	6,62	7,13	7,63	8,11	8,68
1800	1,07	1,68	2,02	2,35	2,68	3,00	3,39	3,77	4,57	5,00	5,48	6,07	6,64	7,20	7,74	8,28	8,79	9,39
2000	1,12	1,79	2,15	2,51	2,87	3,22	3,64	4,05	4,92	5,38	5,90	6,52	7,13	7,73	8,30	8,86	9,40	10,01
2400	1,19	1,96	2,38	2,80	3,21	3,61	4,09	4,56	5,55	6,06	6,63	7,32	7,99	8,63	9,24	9,82	10,36	10,98
2800	1,22	2,10	2,57	3,03	3,49	3,94	4,47	4,99	6,06	6,62	7,23	7,96	8,65	9,30	9,90	10,46	10,98	11,53
3200	1,23	2,19	2,71	3,22	3,71	4,20	4,77	5,32	6,46	7,04	7,67	8,41	9,09	9,71	10,27	10,77	11,20	
3500	1,21	2,23	2,78	3,32	3,84	4,35	4,94	5,52	6,68	7,27	7,89	8,62	9,27	9,84	10,34	10,75		
4000	1,13	2,24	2,84	3,41	3,97	4,51	5,12	5,71	6,88	7,45	8,04	8,70	9,24					
4600	0,98	2,17	2,80	3,40	3,98	4,53	5,15	5,73	6,83	7,34	7,83							
5000	0,82	2,06	2,70	3,32	3,89	4,44	5,05	5,60	6,61	7,03								

P_i (kW) referred to i

rpm / i	1,00 / 1,01	1,02 / 1,03	1,04 / 1,06	1,07 / 1,08	1,09 / 1,12	1,13 / 1,16	1,17 / 1,22	1,23 / 1,32	1,33 / 1,50	over 1,51
100	0,00	0,00	0,00	0,01	0,01	0,01	0,01	0,01	0,02	0,02
200	0,00	0,00	0,01	0,01	0,02	0,02	0,02	0,03	0,03	0,04
300	0,00	0,01	0,01	0,02	0,02	0,03	0,04	0,04	0,05	0,05
400	0,00	0,01	0,02	0,02	0,03	0,04	0,05	0,06	0,06	0,07
500	0,00	0,01	0,02	0,03	0,04	0,05	0,06	0,07	0,08	0,09
600	0,00	0,01	0,02	0,04	0,05	0,06	0,07	0,08	0,10	0,11
700	0,00	0,01	0,03	0,04	0,06	0,07	0,08	0,10	0,11	0,13
800	0,00	0,02	0,03	0,05	0,06	0,08	0,10	0,11	0,13	0,14
900	0,00	0,02	0,04	0,05	0,07	0,09	0,11	0,13	0,14	0,16
1000	0,00	0,02	0,04	0,06	0,08	0,10	0,12	0,14	0,16	0,18
1200	0,00	0,02	0,05	0,07	0,10	0,12	0,14	0,17	0,19	0,21
1400	0,00	0,03	0,06	0,08	0,11	0,14	0,17	0,20	0,22	0,25
1600	0,00	0,03	0,06	0,10	0,13	0,16	0,19	0,22	0,25	0,29
1800	0,00	0,04	0,07	0,11	0,14	0,18	0,22	0,25	0,29	0,32
2000	0,00	0,04	0,08	0,12	0,16	0,20	0,24	0,28	0,32	0,36
2400	0,00	0,05	0,10	0,14	0,19	0,24	0,29	0,34	0,38	0,43
2800	0,00	0,06	0,11	0,17	0,22	0,28	0,34	0,39	0,45	0,50
3200	0,00	0,06	0,13	0,19	0,25	0,32	0,38	0,45	0,51	0,57
3500	0,00	0,07	0,14	0,21	0,28	0,35	0,42	0,49	0,56	0,63
4000	0,00	0,08	0,16	0,24	0,32	0,40	0,48	0,56	0,64	0,72
4600	0,00	0,09	0,18	0,28	0,37	0,46	0,55	0,64	0,73	0,82
5000	0,00	0,10	0,20	0,30	0,40	0,50	0,60	0,70	0,80	0,89

* Belt speed is greater than 30 m/s then is necessary to use dynamically balanced pulleys. A reduction in belt life can be expected. Suggested a smaller section.

CLASSICAL WRAPPED V-BELTS



Extra B SECTION

Code	Internal length LI (mm)	Code	Internal length LI (mm)	Code	Internal length LI (mm)	Code	Internal length LI (mm)	Code	Internal length LI (mm)	Code	Internal length LI (mm)	Code	Internal length LI (mm)
B 22 1/2	570	B 39 1/2	1000	B 56	1422	B 83	2108	B 112	2845	B 158	4000	B 249	6287
B 23	587	B 40	1016	B 57	1450	B 83 1/2	2120	B 112 1/2	2857	B 160	4064	B 253	6392
B 24	612	B 40 1/2	1030	B 58	1473	B 84	2134	B 114	2900	B 161	4087	B 255	6442
B 25	637	B 41	1040	B 59	1500	B 85	2160	B 115	2921	B 162	4115	B 256	6502
B 26	650	B 41 1/2	1050	B 60	1525	B 86	2187	B 116	2950	B 163	4142	B 259	6542
B 26 1/2	673	B 41 3/4	1060	B 61	1550	B 86 1/2	2200	B 118	3000	B 165	4200	B 264	6665
B 27	686	B 42	1067	B 62	1575	B 87	2215	B 120	3048	B 167	4250	B 265	6700
B 28	710	B 42 1/2	1075	B 63	1600	B 88	2240	B 122	3099	B 168	4267	B 269	6800
B 28 1/2	725	B 43	1090	B 64	1625	B 89	2261	B 124	3150	B 173	4394	B 270	6825
B 29	737	B 43 1/4	1096	B 64 1/2	1642	B 90	2286	B 126	3200	B 175	4450	B 276	7000
B 29 1/2	750	B 43 1/2	1100	B 65	1650	B 91	2312	B 127	3227	B 177	4500	B 280	7100
B 30	762	B 44	1120	B 66 1/4	1682	B 92	2337	B 128	3250	B 180	4572	B 285	7207
B 30 1/2	775	B 44 1/4	1127	B 66	1676	B 93	2360	B 130	3302	B 186	4727	B 300	7587
B 31	787	B 45	1142	B 66 1/2	1692	B 94	2388	B 131	3327	B 187	4750	B 315	7967
B 31 1/2	800	B 45 1/2	1155	B 67	1700	B 94 1/2	2400	B 132	3350	B 188	4777	B 330	8347
B 32	812	B 46	1175	B 67 1/4	1712	B 95	2413	B 133	3378	B 192	4877	B 345	8727
B 32 1/4	822	B 46 1/2	1180	B 68	1725	B 96	2438	B 134	3407	B 195	4953	B 360	9107
B 32 1/2	825	B 46 3/4	1187	B 69	1750	B 96 1/2	2450	B 135	3429	B 197	5000	B 361	9132
B 33	838	B 47	1200	B 69 1/2	1761	B 97	2465	B 136	3450	B 204	5182	B 364	9207
B 33 1/2	850	B 47 1/4	1202	B 70	1775	B 97 1/2	2477	B 138	3505	B 208	5300	B 366	9262
B 34	867	B 47 1/2	1215	B 71	1800	B 98	2500	B 140	3550	B 210	5334	B 394	9972
B 34 1/2	875	B 48	1225	B 72	1829	B 99	2515	B 142	3607	B 217	5507	B 433	10957
B 35	889	B 48 1/2	1232	B 73	1850	B 100	2540	B 144	3658	B 220	5552	B 472	11957
B 35 1/2	900	B 49	1250	B 74	1880	B 101	2565	B 146	3708	B 221	5577	B 512	13005
B 35 3/4	907	B 50	1275	B 75	1900	B 102	2600	B 147	3737	B 223	5632	B 551	13995
B 36	917	B 51	1300	B 76	1930	B 103	2616	B 148	3750	B 224	5657	B 553	14053
B 36 1/2	925	B 52	1320	B 77	1950	B 104	2650	B 150	3810	B 225	5682	B 669	16992
B 36 3/4	937	B 52 1/2	1336	B 78	1981	B 105	2667	B 151	3850	B 228	5757		
B 37	942	B 53	1350	B 79	2000	B 106	2700	B 152	3861	B 229	5782		
B 37 1/2	950	B 53 1/2	1360	B 80	2032	B 107	2718	B 154	3912	B 236	5994		
B 38	965	B 54	1372	B 80 3/4	2050	B 108	2750	B 155	3950	B 237	6000		
B 38 1/2	975	B 55	1400	B 81	2060	B 109	2769	B 156	3962	B 240	6062		
B 39	990	B 55 1/2	1412	B 82	2083	B 110	2800	B 157	3987	B 248	6267		

TABLE 4 - P_b (kW) referred to Ø (mm)

RPM / Ø	112	118	132	140	150	160	180	200	224	250	265	280
100	0,27	0,31	0,38	0,42	0,48	0,53	0,63	0,73	0,85	0,98	1,06	1,13
200	0,48	0,54	0,68	0,76	0,86	0,95	1,15	1,34	1,57	1,81	1,95	2,09
500	0,97	1,11	1,42	1,61	1,83	2,05	2,49	2,92	3,44	3,98	4,30	4,61
700	1,23	1,42	1,85	2,09	2,39	2,69	3,28	3,86	4,54	5,27	5,68	6,09
900	1,47	1,70	2,23	2,53	2,91	3,28	4,00	4,72	5,55	6,44	6,94	7,43
1.000	1,57	1,82	2,41	2,74	3,15	3,55	4,34	5,12	6,03	6,98	7,52	8,04
1.400	1,93	2,26	3,04	3,47	4,01	4,53	5,56	6,55	7,69	8,86	9,51	10,13
1.500	2,00	2,36	3,18	3,63	4,20	4,75	5,83	6,86	8,04	9,25	9,91	10,55
1.700	2,14	2,53	3,43	3,93	4,55	5,15	6,31	7,42	8,68	9,94	10,61	11,25
1.800	2,19	2,60	3,54	4,06	4,71	5,33	6,54	7,68	8,96	10,22	10,90	11,53
2.500	2,44	2,96	4,12	4,75	5,52	6,25	7,61	8,82	10,06	11,13*	11,60*	
2.900	2,45	3,01	4,26	4,93	5,72	6,47	7,81	8,93*	9,95*			
3.000	2,44	3,01	4,27	4,94	5,74	6,49	7,81	8,89*				
3.500	2,29	2,88	4,18	4,86	5,64	6,33	7,46*					
3.600	2,23	2,84	4,13	4,81	5,57	6,25	7,32*					
4.000	1,96	2,56	3,83	4,46	5,15*	5,73*						
4.500	1,44	2,03	3,19*	3,73*								
5.000	0,73	1,26*	2,23*									

P_d (kW) referred to i

RPM	i	1,00/1,01	1,02/1,03	1,04/1,06	1,07/1,08	1,09/1,12	1,13/1,16	1,17/1,22	1,23/1,32	1,33/1,50	over 1,51
100	0,00	0,00	0,01	0,01	0,01	0,02	0,02	0,03	0,03	0,03	0,03
200	0,00	0,01	0,01	0,02	0,03	0,04	0,04	0,05	0,06	0,06	0,06
500	0,00	0,02	0,04	0,05	0,07	0,09	0,11	0,13	0,14	0,14	0,16
700	0,00	0,02	0,05	0,08	0,10	0,13	0,15	0,18	0,20	0,20	0,23
900	0,00	0,03	0,06	0,10	0,13	0,16	0,19	0,23	0,26	0,26	0,29
1.000	0,00	0,04	0,07	0,11	0,14	0,18	0,22	0,25	0,29	0,29	0,32
1.400	0,00	0,05	0,10	0,15	0,20	0,25	0,30	0,35	0,40	0,40	0,45
1.500	0,00	0,05	0,11	0,16	0,21	0,27	0,32	0,38	0,43	0,43	0,48
1.700	0,00	0,06	0,12	0,18	0,24	0,30	0,37	0,43	0,49	0,49	0,55
1.800	0,00	0,06	0,13	0,19	0,26	0,32	0,39	0,45	0,52	0,52	0,58
2.500	0,00	0,09	0,18	0,27	0,36	0,45	0,54	0,63	0,72	0,72	0,81
2.900	0,00	0,10	0,21	0,31	0,42	0,52	0,63	0,73	0,83	0,83	0,94
3.000	0,00	0,11	0,22	0,32	0,43	0,54	0,65	0,76	0,86	0,86	0,97
3.500	0,00	0,12	0,25	0,38	0,50	0,63	0,76	0,88	1,00	1,00	1,13
3.600	0,00	0,13	0,26	0,39	0,52	0,64	0,78	0,91	1,03	1,03	1,16
4.000	0,00	0,14	0,29	0,43	0,57	0,72	0,87	1,01	1,15	1,15	1,29
4.500	0,00	0,16	0,32	0,49	0,64	0,81	0,97	1,13	1,29	1,29	1,45
5.000	0,00	0,18	0,36	0,54	0,72	0,89	1,08	1,26	1,44	1,44	1,61

* Belt speed is greater than 30 m/s then is necessary to use dynamically balanced pulleys. A reduction in belt life can be expected.



Oleostatic GOLD B SECTION

Code	Internal length LI (mm)	Code	Internal length LI (mm)	Code	Internal length LI (mm)	Code	Internal length LI (mm)	Code	Internal length LI (mm)	Code	Internal length LI (mm)	Code	Internal length LI (mm)
B 22 1/2	570	B 41	1040	B 62	1575	B 90	2286	B 130	3302	B 192	4877	B 360	9107
B 23	587	B 41 1/2	1050	B 63	1600	B 91	2312	B 131	3327	B 195	4953	B 361	9132
B 24	612	B 41 3/4	1060	B 64	1625	B 92	2337	B 132	3350	B 197	5000	B 364	9207
B 25	637	B 42	1067	B 64 1/2	1642	B 93	2360	B 133	3378	B 204	5182	B 366	9262
B 26	650	B 42 1/2	1075	B 65	1650	B 94	2388	B 134	3407	B 208	5300	B 394	9972
B 26 1/2	673	B 43	1090	B 66	1676	B 94 1/2	2400	B 135	3429	B 210	5334	B 433	10957
B 27	686	B 43 1/2	1100	B 66 1/4	1682	B 95	2413	B 136	3450	B 217	5507	B 472	11957
B 28	710	B 43 1/4	1096	B 66 1/2	1692	B 96	2438	B 138	3505	B 220	5552	B 512	13005
B 28 1/2	725	B 44	1120	B 67	1700	B 96 1/2	2450	B 140	3550	B 221	5577	B 551	13995
B 29	737	B 44 1/4	1127	B 67 1/4	1712	B 97	2465	B 142	3607	B 223	5632	B 553	14053
B 29 1/2	750	B 45	1142	B 68	1725	B 97 1/2	2477	B 144	3658	B 224	5657	B 669	16992
B 30	762	B 45 1/2	1155	B 69	1750	B 98	2500	B 146	3708	B 225	5682		
B 30 1/2	775	B 46	1175	B 69 1/2	1761	B 99	2515	B 147	3737	B 228	5757		
B 31	787	B 46 1/2	1180	B 70	1775	B 100	2540	B 148	3750	B 229	5782		
B 31 1/2	800	B 46 3/4	1187	B 71	1800	B 101	2565	B 150	3810	B 236	5994		
B 32	812	B 47	1200	B 72	1829	B 102	2600	B 151	3850	B 237	6000		
B 32 1/4	822	B 47 1/4	1202	B 73	1850	B 103	2616	B 152	3861	B 240	6062		
B 32 1/2	825	B 47 1/2	1215	B 74	1880	B 104	2650	B 154	3912	B 248	6267		
B 33	838	B 48	1225	B 75	1900	B 105	2667	B 155	3950	B 249	6287		
B 33 1/2	850	B 48 1/2	1232	B 76	1930	B 106	2700	B 156	3962	B 253	6392		
B 34	867	B 49	1250	B 77	1950	B 107	2718	B 157	3987	B 255	6442		
B 34 1/2	875	B 50	1275	B 78	1981	B 108	2750	B 158	4000	B 256	6502		
B 35	889	B 51	1300	B 79	2000	B 109	2769	B 160	4064	B 259	6542		
B 35 1/2	900	B 52	1320	B 80	2032	B 110	2800	B 161	4087	B 264	6665		
B 35 3/4	907	B 52 1/2	1335	B 80 3/4	2050	B 112	2845	B 162	4115	B 265	6700		
B 36	917	B 53	1350	B 81	2060	B 112 1/2	2857	B 163	4142	B 269	6800		
B 36 1/2	925	B 53 1/2	1360	B 82	2083	B 114	2900	B 165	4200	B 270	6825		
B 36 3/4	937	B 54	1372	B 83	2108	B 115	2921	B 167	4250	B 276	7000		
B 37	942	B 55	1400	B 83 1/2	2120	B 116	2950	B 168	4267	B 280	7100		
B 37 1/2	950	B 55 1/2	1412	B 84	2134	B 118	3000	B 173	4394	B 285	7207		
B 38	965	B 56	1422	B 85	2160	B 120	3048	B 175	4450	B 300	7587		
B 38 1/2	975	B 57	1450	B 86	2187	B 122	3099	B 177	4500	B 315	7967		
B 39	990	B 58	1473	B 86 1/2	2200	B 124	3150	B 180	4572	B 330	8347		
B 39 1/2	1000	B 59	1500	B 87	2215	B 126	3200	B 186	4727	B 345	8727		
B 40	1016	B 60	1525	B 88	2240	B 127	3227	B 187	4750				
B 40 1/2	1030	B 61	1550	B 89	2261	B 128	3250	B 188	4777				

TABLE 4 - P_b (kW) referred to Ø (mm)

RPM / Ø	112	118	132	140	150	160	170	180	190	200	212	224	236	250	265	280
100	0,40	0,44	0,55	0,61	0,69	0,76	0,84	0,91	0,99	1,06	1,15	1,24	1,32	1,42	1,53	1,64
200	0,70	0,78	0,99	1,10	1,24	1,38	1,52	1,66	1,80	1,94	2,11	2,27	2,43	2,62	2,82	3,02
300	0,96	1,08	1,37	1,54	1,74	1,95	2,15	2,35	2,55	2,75	2,99	3,22	3,46	3,73	4,02	4,31
400	1,19	1,35	1,73	1,95	2,21	2,48	2,74	3,00	3,26	3,51	3,82	4,12	4,43	4,78	5,15	5,52
500	1,41	1,61	2,07	2,33	2,65	2,97	3,29	3,61	3,93	4,24	4,61	4,98	5,35	5,77	6,22	6,67
600	1,61	1,84	2,38	2,69	3,07	3,45	3,82	4,20	4,56	4,93	5,37	5,80	6,23	6,72	7,25	7,77
700	1,79	2,06	2,68	3,03	3,47	3,90	4,33	4,75	5,18	5,59	6,09	6,58	7,07	7,63	8,23	8,82
800	1,97	2,27	2,97	3,36	3,85	4,34	4,82	5,29	5,76	6,23	6,78	7,33	7,88	8,50	9,16	9,82
900	2,13	2,47	3,24	3,68	4,22	4,75	5,28	5,81	6,33	6,84	7,45	8,05	8,65	9,33	10,05	10,76
1000	2,28	2,65	3,50	3,98	4,57	5,15	5,73	6,30	6,86	7,42	8,08	8,74	9,38	10,12	10,89	11,66
1200	2,56	2,99	3,98	4,53	5,22	5,90	6,57	7,22	7,87	8,51	9,27	10,01	10,74	11,57	12,44	13,29
1400	2,81	3,29	4,41	5,04	5,82	6,58	7,33	8,06	8,79	9,50	10,33	11,15	11,95	12,85	13,78	14,69
1600	3,02	3,56	4,80	5,50	6,36	7,19	8,02	8,82	9,61	10,38	11,28	12,15	12,99	13,94	14,92	15,84
1800	3,20	3,79	5,15	5,91	6,84	7,74	8,63	9,49	10,33	11,14	12,09	13,00	13,87	14,84	15,81	16,73
2000	3,34	3,99	5,45	6,26	7,26	8,22	9,16	10,06	10,94	11,78	12,76	13,68	14,56	15,52	16,46	17,32
2400	3,54	4,27	5,91	6,81	7,90	8,95	9,96	10,91	11,82	12,68	13,64	14,53	15,33	16,17	16,92	
2800	3,60	4,39	6,17	7,14	8,28	9,37	10,38	11,33	12,21	13,00	13,86	14,59	15,20			
3200	3,52	4,36	6,22	7,21	8,37	9,43	10,40	11,27	12,03	12,68						
3500	3,36	4,23	6,11	7,09	8,22	9,23	10,12	10,87	11,50							
4000	2,90	3,77	5,61	6,53	7,54	8,37										
4600	1,98	2,81	4,46	5,21												

P_a (kW) referred to i

rpm / i	1,00/1,01	1,02/1,03	1,04/1,06	1,07/1,08	1,09/1,12	1,13/1,16	1,17/1,22	1,23/1,32	1,33/1,50	over 1,51
100	0,00	0,00	0,01	0,01	0,02	0,02	0,03	0,03	0,04	0,04
200	0,00	0,01	0,02	0,03	0,04	0,04	0,05	0,06	0,07	0,08
300	0,00	0,01	0,03	0,04	0,05	0,07	0,08	0,09	0,11	0,12
400	0,00	0,02	0,04	0,05	0,07	0,09	0,11	0,12	0,14	0,16
500	0,00	0,02	0,04	0,07	0,09	0,11	0,13	0,16	0,18	0,20
600	0,00	0,03	0,05	0,08	0,11	0,13	0,16	0,19	0,21	0,24
700	0,00	0,03	0,06	0,09	0,12	0,15	0,19	0,22	0,25	0,28
800	0,00	0,04	0,07	0,11	0,14	0,18	0,21	0,25	0,28	0,32
900	0,00	0,04	0,08	0,12	0,16	0,20	0,24	0,28	0,32	0,36
1000	0,00	0,04	0,09	0,13	0,18	0,22	0,27	0,31	0,35	0,40
1200	0,00	0,05	0,11	0,16	0,21	0,26	0,32	0,37	0,42	0,48
1400	0,00	0,06	0,12	0,19	0,25	0,31	0,37	0,43	0,49	0,56
1600	0,00	0,07	0,14	0,21	0,28	0,35	0,43	0,50	0,56	0,63
1800	0,00	0,08	0,16	0,24	0,32	0,40	0,48	0,56	0,64	0,71
2000	0,00	0,09	0,18	0,27	0,35	0,44	0,53	0,62	0,71	0,79
2400	0,00	0,11	0,21	0,32	0,42	0,53	0,64	0,74	0,85	0,95
2800	0,00	0,12	0,25	0,37	0,49	0,62	0,74	0,87	0,99	1,11
3200	0,00	0,14	0,28	0,42	0,56	0,70	0,85	0,99	1,13	1,27
3500	0,00	0,15	0,31	0,46	0,62	0,77	0,93	1,09	1,24	1,39
4000	0,00	0,18	0,35	0,53	0,70	0,88	1,06	1,24	1,41	1,59
4600	0,00	0,20	0,41	0,61	0,81	1,01	1,22	1,43	1,62	1,82

* Belt speed is greater than 30 m/s then is necessary to use dynamically balanced pulleys. A reduction in belt life can be expected. Suggested a smaller section.

CLASSICAL WRAPPED V-BELTS



Extra C SECTION

Code	Internal length LI (mm)	Code	Internal length LI (mm)	Code	Internal length LI (mm)	Code	Internal length LI (mm)	Code	Internal length LI (mm)	Code	Internal length LI (mm)	Code	Internal length LI (mm)
C 33 3/4	858	C 62 1/4	1583	C 83 1/2	2121	C 104	2642	C 136	3456	C 180	4572	C 270	6822
C 37 1/2	950	C 63	1600	C 84	2134	C 105	2667	C 138	3498	C 187	4750	C 276	6973
C 39 3/4	1013	C 65	1650	C 85	2159	C 106	2692	C 140	3550	C 190	4826	C 280	7100
C 43	1090	C 66	1676	C 86	2184	C 108	2750	C 142	3607	C 195	4953	C 285	7203
C 45	1150	C 67	1700	C 87	2208	C 110	2800	C 144	3658	C 197	5000	C 295	7493
C 46	1168	C 68	1727	C 88	2235	C 111	2818	C 147	3733	C 204	5182	C 297	7500
C 47	1194	C 69	1753	C 89	2261	C 112	2845	C 148	3750	C 208	5300	C 300	7582
C 48	1220	C 70	1778	C 90	2286	C 112 1/2	2858	C 150	3808	C 210	5334	C 303	7650
C 49	1250	C 71	1798	C 92	2337	C 114	2888	C 153	3902	C 216	5486	C 314	7976
C 51	1295	C 72	1829	C 93	2360	C 115	2921	C 158	4000	C 220	5550	C 315	7965
C 52	1320	C 73	1854	C 94	2388	C 116	2950	C 160	4064	C 222	5600	C 316	8000
C 53	1350	C 74	1879	C 95	2413	C 117	2965	C 161 1/2	4100	C 225	5678	C 320	8093
C 54	1372	C 75	1900	C 96	2438	C 118	3000	C 162	4115	C 228	5753	C 330	8382
C 55	1400	C 76	1930	C 96 1/2	2450	C 120	3048	C 165	4193	C 236	6000	C 336	8500
C 56	1425	C 77	1955	C 97	2462	C 122	3099	C 166	4216	C 238	6045	C 345	8723
C 57	1450	C 78	1978	C 97 1/2	2477	C 124	3150	C 167	4242	C 240	6062	C 360	9107
C 58	1473	C 79	2005	C 98	2500	C 126	3200	C 168	4267	C 248	6263	C 394	10000
C 59	1500	C 80	2032	C 99	2525	C 128	3250	C 170	4318	C 250	6300	C 420	10632
C 60	1524	C 81	2057	C 100	2540	C 130	3302	C 173	4394	C 255	6438	C 424	10733
C 61	1560	C 82	2080	C 101	2560	C 132	3350	C 175	4445	C 264	6670		
C 62	1576	C 83	2108	C 102	2591	C 134	3404	C 177	4500	C 265	6700		

TABLE 4 - P_b (kW) referred to Ø (mm)

RPM / Ø	180	190	200	212	236	265	300	335	375	400	425	450
100	0,78	0,87	0,95	1,04	1,24	1,47	1,74	2,01	2,32	2,51	2,70	2,89
150	1,10	1,22	1,34	1,48	1,76	2,09	2,49	2,88	3,32	3,60	3,87	4,14
200	1,40	1,55	1,70	1,89	2,25	2,68	3,19	3,70	4,28	4,63	4,99	5,34
400	2,45	2,73	3,02	3,36	4,03	4,83	5,78	6,72	7,77	8,42	9,06	9,69
600	3,35	3,76	4,17	4,65	5,60	6,74	8,08	9,39	10,85	11,74	12,61	13,47
700	3,76	4,23	4,69	5,24	6,33	7,62	9,13	10,60	12,24	13,23	14,19	15,14
750	3,96	4,45	4,94	5,53	6,68	8,04	9,63	11,18	12,89	13,93	14,93	15,91
900	4,51	5,09	5,66	6,33	7,66	9,23	11,05	12,80	14,70	15,84	16,94	17,99
1.000	4,85	5,48	6,10	6,83	8,27	9,96	11,91	13,77	15,77	16,96	18,09	19,16
1.400	5,98	6,78	7,57	8,50	10,30	12,35	14,63	16,70	18,78	19,91	20,90*	21,75*
1.500	6,20	7,05	7,87	8,84	10,70	12,80	15,12	17,18	19,18	20,23*	21,11*	
1.700	6,58	7,49	8,37	9,40	11,36	13,53	15,83	17,77	19,49*			
1.800	6,74	7,67	8,58	9,63	11,62	13,79	16,05	17,88*				
2.000	6,96	7,94	8,88	9,97	11,98	14,11	16,19*					
2.500	7,05	8,06	9,01	10,07	11,89*	13,53*						
2.900	6,57	7,52	8,39*	9,29*								
3.000	6,36	7,29	8,12*	8,97*								
3.200	5,85	6,70*	7,44*									

P_d (kW) referred to i

RPM / i	1,00/1,01	1,02/1,03	1,04/1,06	1,07/1,08	1,09/1,12	1,13/1,16	1,17/1,22	1,23/1,32	1,33/1,50	over 1,51
100	0,00	0,01	0,02	0,02	0,03	0,04	0,05	0,05	0,06	0,07
150	0,00	0,01	0,02	0,03	0,05	0,06	0,07	0,08	0,09	0,10
200	0,00	0,02	0,03	0,05	0,06	0,08	0,09	0,11	0,12	0,14
400	0,00	0,03	0,06	0,09	0,12	0,15	0,19	0,22	0,25	0,28
600	0,00	0,05	0,09	0,14	0,19	0,23	0,28	0,33	0,37	0,42
700	0,00	0,05	0,11	0,16	0,22	0,27	0,33	0,38	0,43	0,49
750	0,00	0,06	0,12	0,17	0,23	0,29	0,35	0,41	0,46	0,52
900	0,00	0,07	0,14	0,21	0,28	0,35	0,42	0,49	0,56	0,63
1.000	0,00	0,08	0,15	0,23	0,31	0,39	0,47	0,54	0,62	0,69
1.400	0,00	0,11	0,22	0,33	0,43	0,54	0,65	0,76	0,87	0,97
1.500	0,00	0,12	0,23	0,35	0,46	0,58	0,70	0,82	0,93	1,04
1.700	0,00	0,13	0,26	0,39	0,52	0,66	0,79	0,92	1,05	1,18
1.800	0,00	0,14	0,28	0,42	0,56	0,69	0,84	0,98	1,11	1,25
2.000	0,00	0,15	0,31	0,46	0,62	0,77	0,93	1,09	1,24	1,39
2.500	0,00	0,19	0,39	0,58	0,77	0,96	1,16	1,36	1,55	1,74
2.900	0,00	0,22	0,45	0,67	0,89	1,12	1,35	1,58	1,79	2,02
3.000	0,00	0,23	0,46	0,70	0,93	1,16	1,40	1,63	1,86	2,08
3.200	0,00	0,25	0,49	0,74	0,99	1,23	1,49	1,74	1,98	2,22

* Belt speed is greater than 30 m/s then is necessary to use dynamically balanced pulleys. A reduction in belt life can be expected. Suggested a smaller section.



Oleostatic Gold C SECTION

Code	Internal length LI (mm)	Code	Internal length LI (mm)	Code	Internal length LI (mm)	Code	Internal length LI (mm)	Code	Internal length LI (mm)	Code	Internal length LI (mm)	Code	Internal length LI (mm)
C 33 3/4	858	C 63	1600	C 85	2159	C 108	2750	C 144	3658	C 208	5300	C 303	7650
C 37 1/2	950	C 65	1650	C 86	2184	C 110	2800	C 147	3733	C 210	5334	C 314	7976
C 39 3/4	1013	C 66	1676	C 87	2208	C 111	2818	C 148	3750	C 216	5486	C 315	7965
C 43	1090	C 67	1700	C 88	2235	C 112	2845	C 150	3808	C 220	5550	C 316	8000
C 45	1150	C 68	1727	C 89	2261	C 112 1/2	2858	C 153	3902	C 222	5600	C 320	8093
C 46	1168	C 69	1753	C 90	2286	C 114	2888	C 158	4000	C 225	5678	C 330	8382
C 48	1220	C 70	1778	C 92	2337	C 115	2921	C 160	4064	C 228	5753	C 336	8500
C 47	1194	C 71	1798	C 93	2360	C 116	2950	C 161 1/2	4100	C 236	6000	C 345	8723
C 49	1250	C 72	1829	C 94	2388	C 117	2965	C 162	4115	C 238	6045	C 360	9107
C 51	1295	C 73	1854	C 95	2413	C 118	3000	C 165	4193	C 240	6062	C 394	10000
C 52	1320	C 74	1879	C 96	2438	C 120	3048	C 166	4216	C 248	6263	C 420	10632
C 53	1350	C 75	1900	C 96 1/2	2450	C 122	3099	C 167	4242	C 250	6300	C 424	10733
C 54	1372	C 76	1930	C 97	2462	C 124	3150	C 168	4267	C 255	6438		
C 55	1400	C 77	1955	C 97 1/2	2477	C 126	3200	C 170	4318	C 264	6670		
C 56	1425	C 78	1978	C 98	2500	C 128	3250	C 173	4394	C 265	6700		
C 57	1450	C 79	2005	C 99	2525	C 130	3302	C 175	4445	C 270	6822		
C 58	1473	C 80	2032	C 100	2540	C 132	3350	C 177	4500	C 276	6973		
C 59	1500	C 81	2057	C 101	2560	C 134	3404	C 187	4750	C 280	7100		
C 60	1524	C 82	2080	C 102	2591	C 136	3456	C 190	4826	C 285	7203		
C 61	1560	C 83	2108	C 104	2642	C 138	3498	C 195	4953	C 295	7493		
C 62	1575	C 83 1/2	2121	C 105	2667	C 140	3550	C 197	5000	C 297	7500		
C 62 1/4	1583	C 84	2134	C 106	2692	C 142	3607	C 204	5182	C 300	7582		

TABLE 4 - P_b (kW) referred to Ø (mm)

RPM / Ø	180	190	200	212	224	236	250	265	280	300	315	335	355	375	400	425	450
100	1,14	1,26	1,38	1,52	1,66	1,80	1,96	2,14	2,31	2,54	2,71	2,93	3,16	3,38	3,66	3,93	4,21
200	2,04	2,26	2,48	2,75	3,01	3,27	3,58	3,90	4,22	4,65	4,97	5,39	5,81	6,23	6,75	7,26	7,77
300	2,83	3,15	3,48	3,86	4,24	4,62	5,05	5,52	5,98	6,60	7,05	7,66	8,26	8,86	9,60	10,33	11,06
400	3,56	3,98	4,40	4,89	5,38	5,87	6,43	7,03	7,63	8,42	9,01	9,78	10,55	11,32	12,26	13,20	14,12
500	4,25	4,75	5,26	5,86	6,46	7,05	7,73	8,46	9,19	10,14	10,85	11,79	12,71	13,63	14,76	15,88	16,97
600	4,88	5,48	6,07	6,77	7,47	8,16	8,97	9,82	10,66	11,77	12,59	13,67	14,74	15,80	17,10	18,37	19,62
700	5,48	6,16	6,83	7,64	8,43	9,22	10,13	11,10	12,05	13,30	14,23	15,45	16,64	17,82	19,27	20,68	22,05
800	6,04	6,80	7,56	8,45	9,34	10,22	11,23	12,30	13,36	14,74	15,77	17,10	18,41	19,70	21,26	22,78	24,25
900	6,57	7,41	8,24	9,23	10,20	11,16	12,27	13,44	14,59	16,09	17,20	18,64	20,05	21,42	23,08	24,68	26,21
1000	7,06	7,98	8,88	9,95	11,01	12,05	13,24	14,50	15,74	17,35	18,52	20,05	21,54	22,97	24,70	26,34	27,91
1200	7,95	9,00	10,04	11,26	12,47	13,65	14,99	16,40	17,78	19,55	20,83	22,48	24,06	25,55	27,31	28,94	30,44
1400	8,71	9,88	11,03	12,39	13,71	15,00	16,47	17,99	19,45	21,32	22,65	24,33	25,90	27,35	29,00	30,45	31,68
1600	9,33	10,61	11,85	13,31	14,73	16,10	17,64	19,22	20,73	22,61	23,92	25,54	27,00	28,28	29,65		
1800	9,81	11,17	12,49	14,03	15,51	16,92	18,50	20,09	21,57	23,38	24,60	26,04	27,26				
2000	10,14	11,57	12,94	14,52	16,02	17,45	19,01	20,55	21,94	23,58	24,63						
2400	10,33	11,80	13,20	14,77	16,21	17,52	18,88	20,12									
2800	9,81	11,24	12,54	13,93	15,13	16,13											

P_a (kW) referred to i

rpm / i	1,00 / 1,01	1,02 / 1,03	1,04 / 1,06	1,07 / 1,08	1,09 / 1,12	1,13 / 1,16	1,17 / 1,22	1,23 / 1,32	1,33 / 1,50	over 1,51
100	0,00	0,01	0,02	0,03	0,04	0,05	0,06	0,07	0,08	0,09
200	0,00	0,02	0,04	0,06	0,08	0,10	0,11	0,13	0,15	0,17
300	0,00	0,03	0,06	0,09	0,11	0,14	0,17	0,20	0,23	0,26
400	0,00	0,04	0,08	0,11	0,15	0,19	0,23	0,27	0,31	0,34
500	0,00	0,05	0,10	0,14	0,19	0,24	0,29	0,34	0,38	0,43
600	0,00	0,06	0,11	0,17	0,23	0,29	0,34	0,40	0,46	0,51
700	0,00	0,07	0,13	0,20	0,27	0,33	0,40	0,47	0,53	0,60
800	0,00	0,08	0,15	0,23	0,30	0,38	0,46	0,54	0,61	0,69
900	0,00	0,09	0,17	0,26	0,34	0,43	0,52	0,60	0,69	0,77
1000	0,00	0,09	0,19	0,29	0,38	0,48	0,57	0,67	0,76	0,86
1200	0,00	0,11	0,23	0,34	0,46	0,57	0,69	0,80	0,92	1,03
1400	0,00	0,13	0,27	0,40	0,53	0,67	0,80	0,94	1,07	1,20
1600	0,00	0,15	0,30	0,46	0,61	0,76	0,92	1,07	1,22	1,37
1800	0,00	0,17	0,34	0,52	0,68	0,86	1,03	1,21	1,37	1,54
2000	0,00	0,19	0,38	0,57	0,76	0,95	1,15	1,34	1,53	1,71
2400	0,00	0,23	0,46	0,69	0,91	1,14	1,38	1,61	1,83	2,06
2800	0,00	0,27	0,53	0,80	1,07	1,33	1,61	1,88	2,14	2,40

* Belt speed is greater than 30 m/s then is necessary to use dynamically balanced pulleys. A reduction in belt life can be expected. Suggested a smaller section.

CLASSICAL WRAPPED V-BELTS



Oleostatic Gold D SECTION

Code	Internal length LI (mm)	Code	Internal length LI (mm)	Code	Internal length LI (mm)	Code	Internal length LI (mm)	Code	Internal length LI (mm)	Code	Internal length LI (mm)	Code	Internal length LI (mm)
D 79	2010	D 135	3429	D 170	4310	D 207	5259	D 250	6294	D 300	7565	D 390	9849
D 98	2500	D 136	3454	D 173	4394	D 208	5283	D 255	6424	D 314	7924	D 394	10000
D 104	2650	D 137	3475	D 175	4445	D 210	5334	D 264	6650	D 315	7950	D 420	10624
D 110	2800	D 140	3550	D 177	4500	D 220	5588	D 266	6700	D 316	7974	D 441	11200
D 118	3000	D 144	3658	D 180	4572	D 223	5600	D 270	6804	D 326	8224	D 480	12139
D 120	3048	D 148	3760	D 187	4750	D 225	5659	D 280	7050	D 330	8329	D 510	12897
D 124	3150	D 154	3914	D 195	4953	D 236	5940	D 282	7100	D 345	8709	D 540	13659
D 128	3251	D 158	4013	D 197	5000	D 238	6000	D 285	7184	D 354	8940	D 600	15184
D 132	3435	D 162	4115	D 204	5182	D 240	6039	D 295	7425	D 360	9090		
D 134	3403	D 167	4241	D 205	5209	D 248	6244	D 298	7500	D 374	9445		

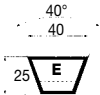
TABLE 4 - P_b (kW) referred to \emptyset (mm)

RPM / \emptyset	300	315	355	400	450	500	560	630	710	800	900
50	4,61	4,92	5,77	6,73	7,79	8,85	10,12	11,61	13,31	15,22	17,34
100	9,21	9,85	11,54	13,45	15,57	17,69	20,24	23,20	26,59	30,40	34,62
150	13,81	14,77	17,31	20,17	23,35	26,52	30,33	34,76	39,83	45,51	51,82
200	18,41	19,68	23,07	26,87	31,10	35,32	40,38	46,28	53,00	60,53	68,87
300	27,58	29,48	34,54	40,23	46,53	52,82	60,35	69,09	79,03	90,14	102,37
400	36,71	39,23	45,95	53,49	61,83	70,13	80,04	91,52	104,52	118,96	134,75
500	45,78	48,92	57,26	66,61	76,93	87,18	99,38	113,44	129,27	146,72	165,62
600	54,78	58,52	68,46	79,57	91,80	103,91	118,26	134,71	153,10	173,17	194,62
750	68,12	72,75	85,00	98,63	113,57	128,26	145,54	165,14	186,71	209,79	
900	81,23	86,70	101,14	117,13	134,54	151,53	171,29	193,39	217,21		
1000	89,82	95,82	111,65	129,10	148,01	166,33	187,46				
1200	106,56	113,57	131,95	152,03	173,48	193,94					
1400	122,64	130,55	151,15	173,37	196,71						
1500	130,39	138,71	160,28	183,37							
1700	145,26	154,29	177,48								
1800	152,34	161,68	185,50								
1900	159,18	168,77									
2000	165,75	175,57									

P_d (kW) referred to i

rpm / i	1,00 / 1,01	1,02 / 1,03	1,04 / 1,06	1,07 / 1,08	1,09 / 1,12	1,13 / 1,16	1,17 / 1,22	1,23 / 1,32	1,33 / 1,50	over 1,51
50	0,00	0,01	0,03	0,04	0,06	0,07	0,09	0,10	0,11	0,13
100	0,00	0,03	0,06	0,09	0,11	0,14	0,17	0,20	0,23	0,26
150	0,00	0,04	0,09	0,13	0,17	0,21	0,26	0,30	0,34	0,39
200	0,00	0,06	0,11	0,17	0,23	0,28	0,34	0,40	0,46	0,51
300	0,00	0,09	0,17	0,26	0,34	0,43	0,52	0,60	0,69	0,77
400	0,00	0,11	0,23	0,34	0,46	0,57	0,69	0,80	0,91	1,03
500	0,00	0,14	0,29	0,43	0,57	0,71	0,86	1,00	1,14	1,28
600	0,00	0,17	0,34	0,52	0,68	0,85	1,03	1,20	1,37	1,54
750	0,00	0,21	0,43	0,64	0,86	1,07	1,29	1,51	1,71	1,93
900	0,00	0,26	0,51	0,77	1,03	1,28	1,55	1,81	2,06	2,31
1000	0,00	0,28	0,57	0,86	1,14	1,42	1,72	2,01	2,29	2,57
1200	0,00	0,34	0,69	1,03	1,37	1,71	2,07	2,41	2,74	3,08
1400	0,00	0,40	0,80	1,20	1,60	1,99	2,41	2,81	3,20	3,60
1500	0,00	0,43	0,86	1,29	1,71	2,14	2,58	3,01	3,43	3,85
1700	0,00	0,48	0,97	1,46	1,94	2,42	2,93	3,41	3,89	4,37
1800	0,00	0,51	1,03	1,55	2,05	2,56	3,10	3,61	4,11	4,62
1900	0,00	0,54	1,09	1,63	2,17	2,71	3,27	3,82	4,34	4,88
2000	0,00	0,57	1,14	1,72	2,28	2,85	3,44	4,02	4,57	5,14

* Belt speed is greater than 30 m/s then is necessary to use dynamically balanced pulleys. A reduction in belt life can be expected. Suggested a smaller section.



Oleostatic Gold E SECTION

Code	Internal length LI (mm)	Code	Internal length LI (mm)	Code	Internal length LI (mm)	Code	Internal length LI (mm)	Code	Internal length LI (mm)	Code	Internal length LI (mm)	Code	Internal length LI (mm)
E 180	4575	E 226	5660	E 270	6780	E 300	7540	E 354	9000	E 441	11200	E 600	15160
E 197	5000	E 240	6015	E 280	7100	E 316	7950	E 360	9065	E 480	12115		
E 210	5335	E 248	6220	E 285	7160	E 330	8305	E 394	9930	E 492	12500		
E 220	5600	E 255	6400	E 295	7500	E 345	8685	E 420	10600	E 540	13635		

TABLE 4 - P_b (kW) referred to Ø (mm)

RPM / Ø	450	500	560	630	710	800	900	1000	1120	1250
50	3,88	4,58	5,40	6,36	7,44	8,64	9,96	11,27	12,82	14,48
100	7,04	8,35	9,90	11,69	13,71	15,95	18,42	20,85	23,72	26,79
150	9,91	11,79	14,03	16,60	19,49	22,70	26,20	29,65	33,70	38,00
200	12,58	15,01	17,89	21,19	24,90	28,99	33,44	37,79	42,87	48,20
250	15,09	18,04	21,52	25,51	29,97	34,87	40,16	45,29	51,21	57,34
300	17,45	20,89	24,95	29,58	34,72	40,34	46,35	52,10	58,66	65,32
400	21,77	26,12	31,20	36,93	43,23	49,96	56,98	63,49	70,57	77,27
500	25,57	30,69	36,62	43,21	50,29	57,65	65,01	71,43	77,80	82,90
600	28,83	34,59	41,15	48,30	55,75	63,14	70,01	75,33		
700	31,53	37,76	44,72	52,07	59,40	66,12	71,54			
750	32,66	39,05	46,11	53,42	60,48	66,58				
900	35,07	41,66	48,55	55,09	60,39					
1000	35,82	42,24	48,61	54,03						
1100	35,81	41,82	47,29							
1200	34,98	40,31								
1300	33,29	37,63								
1400	30,68									
1450	29,00									

P_d (kW) referred to i

rpm / i	1,00 / 1,01	1,02 / 1,03	1,04 / 1,06	1,07 / 1,08	1,09 / 1,12	1,13 / 1,16	1,17 / 1,22	1,23 / 1,32	1,33 / 1,50	over 1,51
50	0,00	0,02	0,05	0,07	0,09	0,12	0,14	0,17	0,19	0,21
100	0,00	0,05	0,09	0,14	0,19	0,24	0,29	0,33	0,38	0,43
150	0,00	0,07	0,14	0,21	0,28	0,35	0,43	0,50	0,57	0,64
200	0,00	0,09	0,19	0,28	0,38	0,47	0,57	0,67	0,76	0,85
250	0,00	0,12	0,24	0,36	0,47	0,59	0,71	0,83	0,95	1,06
300	0,00	0,14	0,28	0,43	0,57	0,71	0,86	1,00	1,14	1,28
400	0,00	0,19	0,38	0,57	0,76	0,94	1,14	1,33	1,51	1,70
500	0,00	0,24	0,47	0,71	0,94	1,18	1,43	1,66	1,89	2,13
600	0,00	0,28	0,57	0,85	1,13	1,42	1,71	2,00	2,27	2,55
700	0,00	0,33	0,66	1,00	1,32	1,65	2,00	2,33	2,65	2,98
750	0,00	0,35	0,71	1,07	1,42	1,77	2,14	2,50	2,84	3,19
900	0,00	0,42	0,85	1,28	1,70	2,12	2,57	2,99	3,41	3,83
1000	0,00	0,47	0,95	1,42	1,89	2,36	2,85	3,33	3,79	4,25
1100	0,00	0,52	1,04	1,56	2,08	2,60	3,14	3,66	4,17	4,68
1200	0,00	0,56	1,14	1,71	2,27	2,83	3,42	3,99	4,54	5,11
1300	0,00	0,61	1,23	1,85	2,46	3,07	3,71	4,32	4,92	5,53
1400	0,00	0,66	1,32	1,99	2,64	3,30	3,99	4,66	5,30	5,96
1450	0,00	0,68	1,37	2,06	2,74	3,42	4,14	4,82	5,49	6,17



* Belt speed is greater than 30 m/s then is necessary to use dynamically balanced pulleys. A reduction in belt life can be expected. Suggested a smaller section.

CLASSICAL WRAPPED V-BELTS



Oleostatic 20 SECTION

Code	Internal length LI (mm)	Code	Internal length LI (mm)	Code	Internal length LI (mm)	Code	Internal length LI (mm)	Code	Internal length LI (mm)	Code	Internal length LI (mm)	Code	Internal length LI (mm)
20	1800	20	2000	20	2360	20	3000	20	3550	20	4500	20	6000
20	1875	20	2050	20	2500	20	3150	20	3650	20	4750		
20	1900	20	2120	20	2600	20	3250	20	3750	20	5000		
20	1925	20	2200	20	2650	20	3350	20	4000	20	5300		
20	1950	20	2240	20	2800	20	3450	20	4250	20	5600		

TABLE 4 - P_b (kW) referred to Ø (mm)

RPM / Ø	140	160	180	200	224	236	250	280	315	355
50	0,34	0,41	0,49	0,56	0,64	0,68	0,73	0,84	0,96	1,09
100	0,60	0,73	0,88	1,01	1,16	1,24	1,34	1,52	1,74	1,99
200	1,05	1,31	1,55	1,79	2,08	2,22	2,39	2,73	3,13	3,58
400	1,79	2,24	2,69	3,13	3,64	3,90	4,19	4,81	5,52	6,30
600	2,40	3,04	3,66	4,27	4,99	5,34	5,74	6,60	7,56	8,61
700	2,67	3,40	4,10	4,79	5,60	5,99	6,45	7,40	8,47	9,63
800	2,92	3,72	4,51	5,27	6,16	6,60	7,10	8,14	9,29	10,55
900	3,15	4,04	4,90	5,73	6,70	7,17	7,71	8,82	10,06	11,38
1000	3,38	4,34	5,25	6,15	7,19	7,70	8,27	9,46	10,75	12,11
1200	3,76	4,86	5,91	6,92	8,08	8,63	9,26	10,54	11,89	13,27
1400	4,09	5,30	6,47	7,56	8,81	9,39	10,06	11,37	12,71	13,97
1600	4,36	5,68	6,93	8,09	9,38	10	10,66	11,94	13,17	14,20
1800	4,57	6,04	7,28	8,50	9,80	10,40	11,05	12,23	13,24	13,89
2000	4,73	6,20	7,55	8,77	10,05	10,62	11,20	12,21	12,89	12,99
2300	4,86	6,39	7,74	8,93	10,08	10,54	10,99	11,55		
2600	4,85	6,39	7,69	8,74	9,65	9,95				
2900	4,68	6,18	7,36	8,20	8,74					
3000	4,60	6,07	7,19	7,95	8,31					

P_d (kW) referred to i

RPM / i	1,00/1,01	1,02/1,03	1,04/1,06	1,07/1,08	1,09/1,12	1,13/1,16	1,17/1,22	1,23/1,32	1,33/1,50	over 1,51
50	0,00	0,00	0,01	0,01	0,02	0,02	0,03	0,03	0,04	0,04
100	0,00	0,01	0,02	0,03	0,04	0,05	0,05	0,06	0,07	0,07
200	0,00	0,02	0,04	0,05	0,07	0,09	0,10	0,12	0,14	0,15
400	0,00	0,04	0,07	0,10	0,14	0,17	0,21	0,23	0,27	0,31
600	0,00	0,05	0,10	0,15	0,21	0,26	0,31	0,36	0,41	0,46
700	0,00	0,06	0,12	0,18	0,24	0,30	0,36	0,41	0,48	0,53
800	0,00	0,07	0,14	0,21	0,27	0,34	0,41	0,48	0,54	0,61
900	0,00	0,08	0,15	0,23	0,31	0,39	0,46	0,54	0,61	0,68
1000	0,00	0,08	0,17	0,26	0,34	0,43	0,51	0,59	0,68	0,77
1200	0,00	0,10	0,21	0,31	0,41	0,52	0,61	0,72	0,82	0,92
1400	0,00	0,12	0,24	0,36	0,48	0,60	0,71	0,84	0,95	1,07
1600	0,00	0,14	0,27	0,41	0,55	0,68	0,81	0,95	1,08	1,22
1800	0,00	0,15	0,31	0,47	0,61	0,77	0,92	1,07	1,22	1,38
2000	0,00	0,17	0,34	0,51	0,68	0,86	1,02	1,19	1,36	1,53
2300	0,00	0,20	0,39	0,59	0,79	0,98	1,17	1,37	1,56	1,76
2600	0,00	0,22	0,44	0,67	0,89	1,11	1,32	1,55	1,77	1,99
2900	0,00	0,24	0,50	0,75	0,99	1,24	1,48	1,73	1,97	2,21
3000	0,00	0,25	0,51	0,77	1,03	1,29	1,53	1,79	2,04	2,30



Oleostatic 25 SECTION

Code	Internal length LI (mm)	Code	Internal length LI (mm)	Code	Internal length LI (mm)	Code	Internal length LI (mm)	Code	Internal length LI (mm)	Code	Internal length LI (mm)	Code	Internal length LI (mm)
25	1800	25	2240	25	2800	25	3750	25	5000	25	6700	25	10000
25	1900	25	2325	25	2950	25	3950	25	5300	25	7100		
25	1950	25	2360	25	3000	25	4000	25	5600	25	7500		
25	2000	25	2450	25	3150	25	4250	25	5700	25	8000		
25	2050	25	2500	25	3300	25	4450	25	6000	25	8500		
25	2120	25	2650	25	3350	25	4500	25	6300	25	9000		
25	2200	25	2700	25	3550	25	4750	25	6500	25	9500		

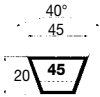
TABLE 4 - P_b (kW) referred to Ø (mm)

RPM / Ø	224	236	250	280	315	335	400	450	500	560
50	0,71	0,80	0,88	1,06	1,28	1,52	1,80	2,09	2,39	2,74
100	1,29	1,43	1,59	1,94	2,35	2,81	3,32	3,88	4,44	5,09
200	2,25	2,53	2,94	3,50	4,25	5,12	6,07	7,12	8,15	9,37
400	3,88	4,38	4,96	6,17	7,58	9,15	10,89	12,78	14,62	16,77
600	5,21	5,92	6,73	8,46	10,41	12,6	14,98	17,52	19,96	22,74
800	6,22	7,20	8,34	10,38	12,81	15,48	18,33	21,30	24,04	27,02
900	6,78	7,75	8,87	11,22	13,84	16,69	19,70	22,77	25,54	28,43
1000	7,19	8,24	9,45	11,95	14,75	17,74	20,84	23,94	26,63	29,29
1200	7,84	9,13	10,37	12,13	16,17	19,31	22,41	25,29	27,50	29,18
1400	8,25	9,54	10,99	13,92	17,02	20,09	22,91	25,13		
1500	8,36	9,68	11,17	14,15	17,22	20,18	22,71	24,44		
1600	8,40	9,75	11,26	14,24	17,25	20,01				
1700	8,37	9,74	11,26	14,22	17,11	19,61				
1800	8,27	9,65	11,16	14,06	16,78					
2000	7,85	9,21	10,67	13,32	15,56					
2200	7,11	8,39	9,73	12,00						
2400	6,02	7,18	8,33							
2500	5,33	6,42	7,45							

P_d (kW) referred to i

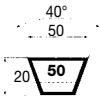
RPM / i	1,00/1,01	1,02/1,03	1,04/1,06	1,07/1,08	1,09/1,12	1,13/1,16	1,17/1,22	1,23/1,32	1,33/1,50	over 1,51
50	0,00	0,01	0,01	0,02	0,02	0,03	0,03	0,04	0,04	0,04
100	0,00	0,01	0,02	0,03	0,04	0,06	0,07	0,08	0,09	0,09
200	0,00	0,02	0,04	0,07	0,09	0,11	0,12	0,14	0,17	0,19
400	0,00	0,04	0,09	0,12	0,17	0,21	0,25	0,29	0,33	0,37
600	0,00	0,07	0,12	0,19	0,25	0,32	0,37	0,44	0,50	0,56
800	0,00	0,08	0,14	0,22	0,30	0,36	0,44	0,51	0,58	0,65
900	0,00	0,09	0,17	0,25	0,33	0,42	0,50	0,58	0,66	0,75
1000	0,00	0,10	0,19	0,29	0,37	0,47	0,56	0,66	0,75	0,84
1200	0,00	0,10	0,21	0,32	0,42	0,53	0,63	0,73	0,84	0,94
1400	0,00	0,14	0,30	0,44	0,58	0,74	0,87	1,02	1,17	1,31
1500	0,00	0,15	0,32	0,47	0,63	0,78	0,94	1,09	1,24	1,40
1600	0,00	0,17	0,33	0,51	0,67	0,84	0,99	1,17	1,32	1,49
1700	0,00	0,18	0,35	0,54	0,72	0,89	1,06	1,24	1,41	1,58
1800	0,00	0,19	0,37	0,57	0,75	0,95	1,12	1,31	1,50	1,68
2000	0,00	0,21	0,42	0,63	0,84	1,05	1,24	1,45	1,66	1,87
2200	0,00	0,23	0,46	0,69	0,92	1,15	1,37	1,60	1,83	2,05
2400	0,00	0,25	0,51	0,76	1,00	1,26	1,50	1,75	2,00	2,24
2500	0,00	0,26	0,53	0,79	1,05	1,31	1,56	1,83	2,08	2,33

CLASSICAL WRAPPED V-BELTS



Oleostatic 45 SECTION

Code	Internal length LI (mm)	Code	Internal length LI (mm)	Code	Internal length LI (mm)	Code	Internal length LI (mm)	Code	Internal length LI (mm)	Code	Internal length LI (mm)	
45	2000	45	2500	45	2750	45	3000	45	3250	45	3500	
45	2300	45	2650	45	2850	45	3150	45	3300	45	3750	
											45	4000



Oleostatic 50 SECTION

Code	Internal length LI (mm)	Code	Internal length LI (mm)	Code	Internal length LI (mm)	Code	Internal length LI (mm)	Code	Internal length LI (mm)	Code	Internal length LI (mm)
50	2000	50	2300	50	2750	50	3000	50	4000	50	3750
50	2050	50	2500	50	2850	50	3150	50	3500	50	3950
50	2150	50	2650	50	2870	50	3250	50	3670	50	4000

KEILRIEMEN.AT

DATA SHEET FOR CALCULATION

CUSTOMER DATA

Date ____/____/____

Company Name _____
 Address _____ Zip Code _____
 City _____ State _____ Country _____
 Customer Name/Surname _____
 Office _____ Tel. _____ Fax _____
 e-mail _____

Application field _____

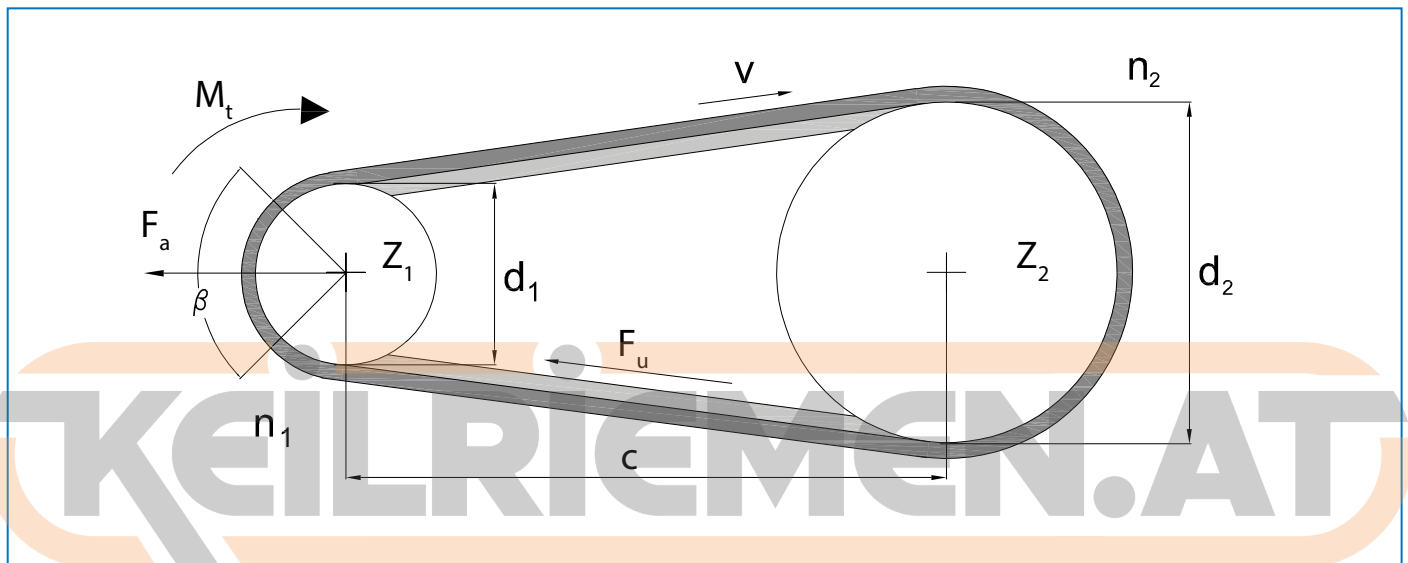
Volume: _____

New

Existing*

*Please enclose to this request all the details of the existing application (competitor's belt, current data, etc..)

POWER TRANSMISSION TRANSMISSION LAYOUT



If layout is different please sketch it below

DRIVE INFORMATION

MOTOR:

AC DC Soft Start Inverter
 Power: _____
 Speed: _____
 Torque: _____
 Acceleration: _____
 Working time: < 8h From 8h up to 16h >16h

APPLICATION:

Driver pulley diameter: _____
 Driven pulley diameter: _____
 Center distance: _____
 Minimum safety factor required: _____
 Are there any size limitation? Yes No
 (if yes please indicate):
 diameter (min. and/or max.): _____
 width (min. and/or max.): _____
 center distance: (min. and/or max.) _____

