



OMT4-IE1 132S1-2 5,5kW 400/690V 50Hz

DATASHEET

50Hz |

Frame type:	aluminium	Connection:	Δ/Y
Model:	OMT4-IE1	Run Capacitor:	
Output:	5,5 kW	Start Capacitor:	
Rated voltage:	400/690V	Rotor voltage:	
Frame:	132 mm	Rotor connection:	
Poles:	2	Rotor current:	
Frequency:	50 Hz	No load current:	
Rated speed:	2900 RPM	Insulation class:	F
Rated current:	10,5/6,1 A	Temp. rise:	80 K
Locked rotor current(Ia/In):	750%	Service factor:	1
Locked rotor torque(Ma/Mn):	220%	Duty:	S8
Breakdown torque(Ma/Mn):	230%	Amb. temp.:	-20~40 °C
Mounting:	B3	Altitude:	1000 m
Noise level:	80 dB	Protection:	IP55
Approx. weight:	40 kg	Cooling:	IC411
Mom. of inertia:	0,0109 kg/m ²	Vibration:	2,2 mm/s
Slip:	3,3%	Dir. rotation:	BOTH
Rated torque:	18,1 Nm	Starting method:	DIRECT ON LINE
		Coupling:	DIRECT
		Load type:	PARABOLIC CURVE

PERFORMANCE

Output	50%	75%	100%
Efficiency(%):	81,5	84,5	85,7
Power factor:			0,88

BEARING

Bearing	NDE	DE
	6308 2RZ	6308 2RZ
	C3	C3

Regreasing int(h):

Grease
amount(g):
Grease
polyrexEM:

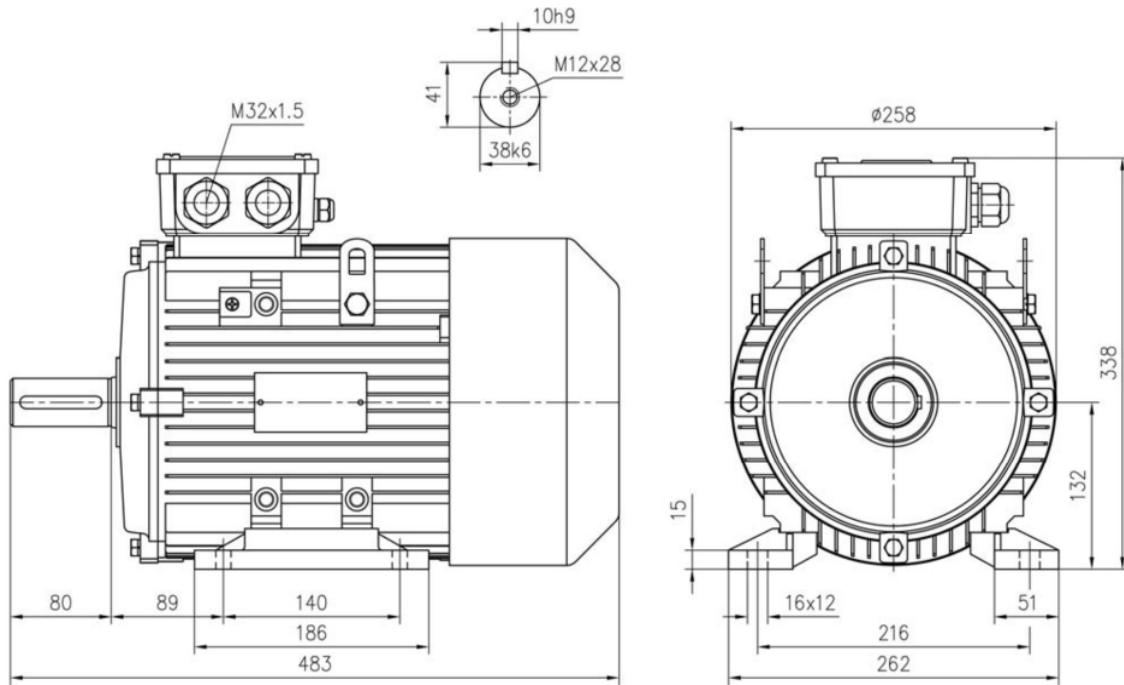
STANDARDS

Specification:	IEC60034-1/GB755
Test:	IEC60034-2/GB/T1032
Noise	IEC60034-9/GB10069.3
Vibration:	IEC60034-14/GB10068

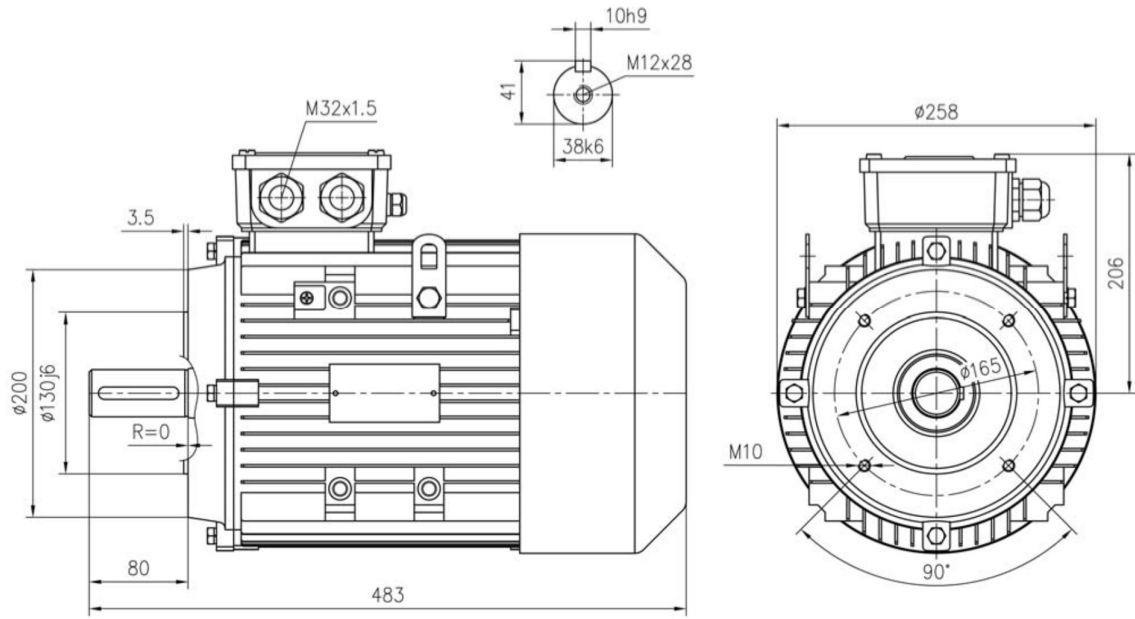
ACCESSORIES

PTC 150°C

DRAWING B3



DRAWING-B14S



B5

