

ES ELITESYSTEM® SIMPLEX PLATE WHEELS

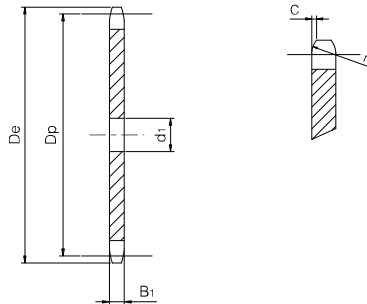
Simplex plate wheel

for chain according to DIN 8188 - ISO 606 - ANSI B 29.1



ASA 40-1 Pitch 12,7 x 7,95 mm

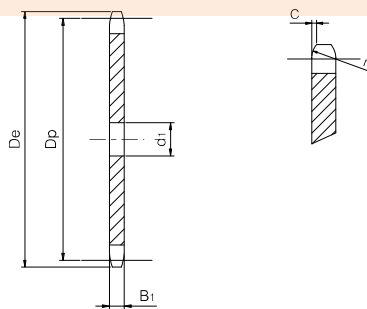
PLATE WHEEL	[mm]
Tooth radius r_3	13,5
Radius width C	1,6
Tooth width B_1	7,2
CHAIN	[mm]
Pitch	12,7
Internal width	7,95
Roller \varnothing	7,95



Z	D_e [mm]	D_p [mm]	d_1 [mm]	W [kg]	Part Number
48	200,8	194,18	20	1,58	QCSA40-1-048
57	237,2	230,54	20	2,25	QCSA40-1-057

ASA 50-1 Pitch 15,875 x 9,53 mm

PLATE WHEEL	[mm]
Tooth radius r_3	17
Radius width C	2
Tooth width B_1	8,7
CHAIN	[mm]
Pitch	15,875
Internal width	9,53
Roller \varnothing	10,16



Z	D_e [mm]	D_p [mm]	d_1 [mm]	W [kg]	Part Number
30	158,8	151,87	16	1,19	QCSA50-1-030
38	199,1	192,24	20	1,98	QCSA50-1-038
45	236,0	227,58	20	2,75	QCSA50-1-045
57	296,6	288,18	25	4,46	QCSA50-1-057
76	392,5	348,16	25	8,02	QCSA50-1-076
95	488,5	480,14	30	12,61	QCSA50-1-095

Material	Steel C45 (Fe360B with $Z \geq 58$)
D_e	External diameter
D_p	Pitch diameter
W	Weight

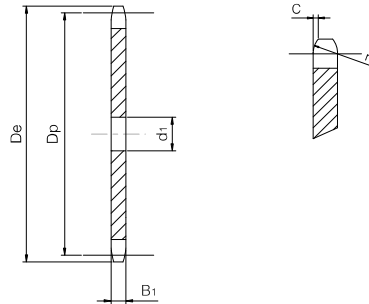
Simplex plate wheel

for chain according to DIN 8188 - ISO 606 - ANSI B 29.1



ASA 60-1 Pitch 19,05 x 12,7 mm

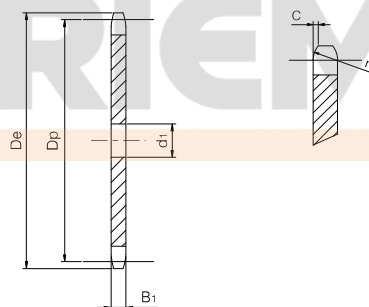
PLATE WHEEL	[mm]
Tooth radius r_3	20
Radius width C	2,4
Tooth width B_1	11,6
CHAIN	[mm]
Pitch	19,05
Internal width	12,7
Roller \varnothing	11,91



Z	De [mm]	Dp [mm]	d1 [mm]	W [kg]	Part Number
38	239,0	230,69	20	3,42	QCSA60-1-038

ASA 80-1 Pitch 25,4 x 15,88 mm

PLATE WHEEL	[mm]
Tooth radius r_3	27
Radius width C	3,2
Tooth width B_1	14,6
CHAIN	[mm]
Pitch	25,4
Internal width	15,88
Roller \varnothing	15,88



Z	De [mm]	Dp [mm]	d1 [mm]	W [kg]	Part Number
12	109,7	98,14	16	0,77	QCSA80-1-012
14	125,7	114,15	16	1,01	QCSA80-1-014
16	141,8	130,20	20	1,43	QCSA80-1-016
17	149,8	138,22	20	1,64	QCSA80-1-017
18	157,8	146,28	20	1,85	QCSA80-1-018
19	165,9	154,33	20	2,08	QCSA80-1-019
20	173,9	162,38	20	2,12	QCSA80-1-020
21	182,0	170,43	20	2,45	QCSA80-1-021
22	190,1	178,48	20	2,84	QCSA80-1-022
23	198,1	186,53	20	3,13	QCSA80-1-023
24	206,2	194,59	20	3,42	QCSA80-1-024
26	222,3	210,72	20	4,05	QCSA80-1-026
28	238,4	226,85	20	4,73	QCSA80-1-028
30	254,6	243,00	20	5,46	QCSA80-1-030
35	294,9	283,36	25	7,49	QCSA80-1-035
38	319,2	307,59	25	8,88	QCSA80-1-038

Material	Steel C45 (Fe360B with Z \geq 58)
De	External diameter
Dp	Pitch diameter
W	Weight