

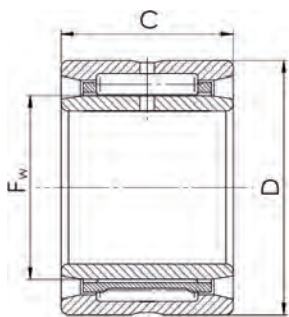


### **Features**

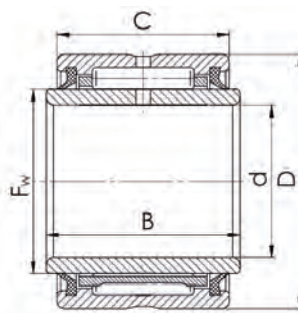
Needle bearings feature a smaller cross-section, higher load-carrying capacity, greater rigidity, and lower inertia forces that facilitate size and weight reductions in machinery. They're designed to withstand oscillation, perform under severe conditions, and interchange with sliding bearings. Diverse types of CRAFT bearings needle bearings are available in a wide variety of sizes and tolerances, for a multitude of applications.

### **Benefits**

Needle roller bearings are smaller than general bearings but have a greater load carrying capacity. This advantage allows for more compact designs for bearings as well as for bearing housings. Use of these bearings lowers costs by allowing for lighter-weight machinery and more compact structures.



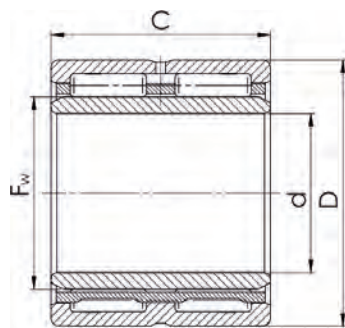
NA49



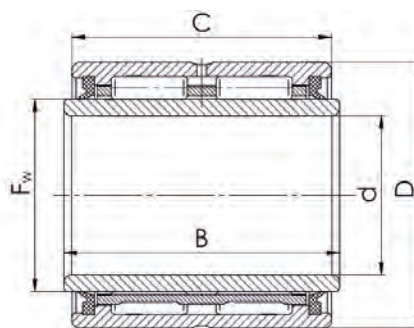
NA 49 2RS

ISO	Dimensions (mm)				Basic Load Rating (N)		Limiting speed (r/min)	Weight (kg)
	d	F <sub>w</sub>	D	C	Dyn. C	Stat. C <sub>0</sub>		
NA4900	10	14	22	13	6880	7360	19200	0.0240
NA4900 2RS	10	14	14	22	6560	6960	11200	0.0245
NA4901	12	16	24	13	7640	8720	18400	0.0265
NA4901 2RS	12	16	14	24	6880	7600	9600	0.0275
NA4902	15	20	28	13	8240	10240	16000	0.0360
NA4902 2RS	15	20	14	28	7840	9520	7600	0.0360
NA4903	17	22	30	13	8960	11680	14400	0.0370
NA4903 2RS	17	22	14	30	8400	10720	6800	0.0395
NA4904	20	25	37	17	17040	20400	12800	0.0740
NA4904 2RS	20	25	18	37	14640	16720	6000	0.0785
NA49/22	22	28	39	17	18560	23440	11200	0.0800
NA49/22 2RS	22	28	18	39	14960	19280	5600	0.0875
NA4905	25	30	42	17	19200	25200	10400	0.0880
NA4905 2RS	25	30	18	42	16560	20480	5200	0.0925
NA49/28	28	32	45	17	19840	26800	10400	0.0980
NA49/28 2RS	28	32	18	45	17120	21840	4800	0.101
NA4906	30	35	47	17	20400	28400	8800	0.101
NA4906 2RS	30	35	18	47	17600	23200	4400	0.106
NA49/32	32	40	52	20	25200	38000	8000	0.157
NA49/32 2RS	32	40	21	52	23920	36000	4000	0.167
NA4907	35	42	55	20	25600	40000	7600	0.171
NA4907 2RS	35	42	21	55	24560	37760	3600	0.179
NA4908	40	48	62	22	34800	53200	6800	0.232
NA4908 2RS	40	48	23	62	30320	47600	3200	0.245
NA4909	45	52	68	22	36800	58400	6000	0.232
NA4909 2RS	45	52	23	68	31680	51760	2800	0.290
NA4910	50	58	72	22	38400	64000	5600	0.276
NA4910 2RS	50	58	23	72	33680	58000	2800	0.295
NA4911	55	63	80	25	46800	79600	5200	0.396
NA4911 2RS	55	63	26	80	42560	69920	2400	0.415
NA4912	60	68	85	25	49200	86400	4800	0.427
NA4912 2RS	60	68	26	85	44480	75680	2400	0.445
NA4913	65	72	90	25	50000	89600	4400	0.454
NA4913 2RS	65	72	26	90	46400	81600	2000	0.475
NA4914	70	80	100	30	68400	124800	4000	0.727
NA4914 2RS	70	80	31	100	62720	116800	2000	0.770
NA4915	75	85	105	30	69600	129600	3760	0.776
NA4915 2RS	75	85	31	105	64960	124800	1600	0.815
NA4916	80	90	110	30	72400	139200	3520	0.820
NA4916 2RS	80	90	31	110	65840	128800	1600	0.860
NA4917	85	100	120	35	89600	189600	3200	1.240
NA4917 2RS	85	100	36	120	84000	184000	1520	1.300
NA4918	90	105	125	35	92800	201600	3040	1.310

ISO	Dimensions (mm)				Basic Load Rating (N)		Limiting speed (r/min)	Weight (kg)
	d	Fw	D	C	Dyn. C	Stat. C <sub>0</sub>		
NA4918 2RS	90	105	36	125	86400	193600	1440	1.360
NA4919	95	110	36	130	94400	208000	2880	1.360
NA4919 2RS	95	110	36	130	89600	204000	1360	1.420
NA4920	100	115	40	140	101600	208000	2800	1.930
NA4920 2RS	100	115	41	140	109600	242400	1360	1.980
NA4922	110	125	40	150	104800	223200	2560	2.080
NA4922 2RS	110	125	41	150	114400	263200	1200	2.150
NA4924	120	135	45	165	144000	304000	2400	2.840
NA4924 2RS	120	135	46	165	145600	333600	1120	2.990
NA4926	130	150	50	180	161600	364000	2160	3.900
NA4926 2RS	130	150	51	180	168800	417600	1040	4.080
NA4928	140	160	50	190	167200	388000	2000	4.050
NA4928 2RS	140	160	51	190	174400	448000	960	4.340
NA4930	150	170	60	210	208800	488000	1920	6.380
NA4932	160	180	60	220	216000	520000	1760	6.750
NA4934	170	190	60	230	223200	552000	1680	7.110
NA4936	180	205	69	250	300000	712000	1600	10.200
NA4938	190	215	69	260	312000	756000	1520	10.700
NA4940	200	225	80	280	404000	944000	1440	15.400
NA4944	220	245	80	300	420000	1016000	1280	16.700
NA4948	240	265	80	320	432000	1080000	1200	18.000
NA4952	260	290	100	360	644000	1520000	1120	31.100
NA4956	280	310	100	380	668000	1624000	1040	33.100
NA4960	300	340	118	420	864000	2112000	960	51.400
NA4964	320	360	118	440	896000	2256000	880	54.400
NA4968	340	380	118	460	928000	2400000	880	57.300
NA4972	360	400	118	480	960000	2560000	800	60.200
NA4976	380	430	140	520	1120000	3000000	760	90.300
NA4980	400	450	140	540	1160000	3200000	720	94.400
NA4984	420	470	140	560	1200000	3400000	680	98.500
NA4988	440	490	160	600	1400000	3680000	640	131.000



NA69

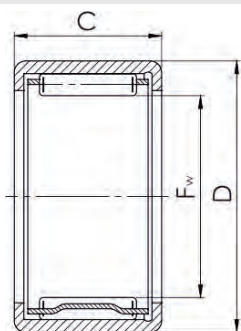


NA 69 2RS

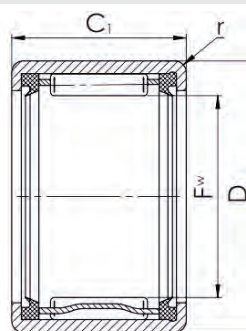
ISO	Dimensions (mm)				Basic Load Rating (N)		Limiting speed (r/min)	Weight (kg)
	d	F <sub>w</sub>	D	C	Dyn. C	Stat. C <sub>0</sub>		
NA6901	12	16	24	22	12300	16000	18400	0.046
NA6901 2RS	12	16	23	24	12720	16640	9600	0.0455
NA6902	15	20	28	23	14100	20240	16000	0.064
NA6902 2RS	15	20	24	28	15040	22080	7600	0.0625
NA6903	17	22	30	23	14560	21760	14400	0.069
NA6903 2RS	17	22	24	30	16160	24960	6800	0.0685
NA6904	20	25	37	30	29200	40400	12800	0.141
NA6904 2RS	20	25	31	37	26960	36320	6000	0.137
NA69/22	22	28	39	30	32000	46800	11200	0.154
NA69/22 2RS	22	28	31	39	27600	42400	5600	0.153
NA6905	25	30	42	30	33200	50400	10400	0.162
NA6905 2RS	25	30	31	42	32000	47840	5200	0.162
NA69/28	28	32	45	30	34400	53600	10400	0.179
NA69/28 2RS	28	32	31	45	31760	48240	4800	0.177
NA6906	30	35	47	30	34000	54000	8800	0.185
NA6906 2RS	30	35	31	47	32720	51440	4400	0.185
NA69/32	32	40	52	36	38000	65600	8000	0.286
NA69/32 2RS	32	40	37	52	41040	72080	4000	0.300
NA6907	35	42	55	36	39200	69200	7600	0.310
NA6907 2RS	35	42	37	55	42080	75520	3600	0.320
NA6908	40	48	62	40	53600	92800	6800	0.426
NA6908 2RS	40	48	41	62	52000	95200	3200	0.440
NA6909	45	52	68	40	56400	101600	6000	0.437
NA6909 2RS	45	52	41	68	54400	103200	2800	0.520
NA6910	50	58	72	40	59200	111200	5600	0.529
NA6910 2RS	50	58	41	72	57760	116000	2800	0.530
NA6911	55	63	80	45	75200	146400	5200	0.726
NA6911 2RS	55	63	46	80	72960	140000	2400	0.730
NA6912	60	68	85	45	76400	152800	4800	0.758
NA6912 2RS	60	68	46	85	76240	151200	2400	0.785
NA6913	65	72	90	45	77600	158400	4400	0.779
NA6913 2RS	65	72	46	90	79520	163200	2000	0.845
NA6914	70	80	100	54	104000	213600	4000	1.340
NA6914 2RS	70	80	55	100	100800	229600	2000	1.400
NA6915	75	85	105	54	105600	221600	3760	1.450
NA6915 2RS	75	85	55	105	104000	244000	1600	1.480
NA6916	80	90	110	54	109600	238400	3520	1.530
NA6916 2RS	80	90	55	110	108000	258400	1600	1.570
NA6917	85	100	120	63	135200	320000	3200	2.250
NA6917 2RS	85	100	64	120	136800	364800	1520	2.360



ISO	Dimensions (mm)				Basic Load Rating (N)		Limiting speed (r/min)	Weight (kg)
	d	F <sub>w</sub>	D	C	Dyn. C	Stat. C <sub>0</sub>		
NA6918	90	105	125	63	140000	340000	3040	2.440
NA6918 2RS	90	105	64	125	140800	384000	1440	2.480
NA6919	95	110	130	63	141600	352000	2880	2.630
NA6919 2RS	95	110	64	130	144000	402400	1360	2.600



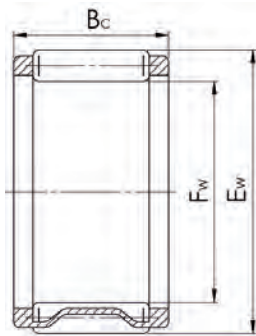
HK



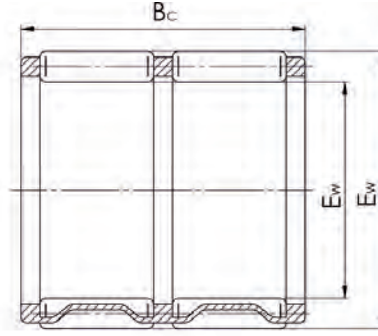
HK-2RS

ISO	Dimensions (mm)			Basic Load Rating (N)		Limiting speed (r/min)	Weight (kg)
	F <sub>w</sub>	D	C	Dyn. C	Stat. C <sub>0</sub>		
HK0306	3	6.5	6	984	672	36800	0.0010
HK0408	4	8	8	1424	1048	32800	0.0020
HK0509	5	9	9	1920	1592	30400	0.0020
HK0608	6	10	8	1624	1320	28000	0.0021
HK0609	6	10	9	2280	2080	28000	0.0025
HK0709	7	11	9	2480	2360	24800	0.0026
HK0808	8	12	8	2200	2080	22400	0.0027
HK0810	8	12	10	3040	3160	22400	0.0030
HK0812 2RS	8	12	12	2200	2080	16000	0.0033
HK0908	9	13	8	2840	3000	20000	0.0030
HK0910	9	13	10	3400	3720	20000	0.0040
HK0912	9	13	12	4240	5040	20000	0.0046
HK1010	10	14	10	3520	4080	18400	0.0041
HK1012	10	14	12	4400	5440	18400	0.0048
HK1014 2RS	10	14	14	3520	4080	13600	0.0046
HK1015	10	14	15	5440	7040	18400	0.0060
HK1216 2RS	12	18	16	5200	5840	11200	0.0110
HK1210	12	16	10	3960	4960	16000	0.0046
HK1212	12	18	12	5200	5840	15200	0.0090
HK1312	13	19	12	5440	6320	14400	0.0100
HK1412	14	20	12	5680	6800	12800	0.0105
HK1416 2RS	14	20	16	5680	6800	9600	0.0130
HK1512	15	21	12	6320	7520	12800	0.0110
HK1516	15	21	16	8400	11520	12800	0.0150
HK1516 2RS	15	21	16	6240	7840	8800	0.0150
HK1520 2RS	15	21	20	8400	11520	8800	0.0180
HK1612	16	22	12	6080	7760	12000	0.0120
HK1616	16	22	16	8720	12240	12000	0.0160
HK1616 2RS	16	22	16	6080	7760	8800	0.0140
HK1620 2RS	16	22	20	8720	12240	8800	0.0180
HK1712	17	23	12	6320	8240	11200	0.0120
HK1812	18	24	12	6480	8720	10400	0.0130
HK1816	18	24	16	9280	13840	10400	0.0180

ISO	Dimensions (mm)			Basic Load Rating (N)		Limiting speed (r/min)	Weight (kg)
	Fw	D	C	Dyn. C	Stat. C <sub>0</sub>		
HK1816 2RS	18	24	16	6480	8720	7600	0.0150
HK2010	20	26	10	5120	6560	9600	0.0120
HK2012	20	26	12	6880	9680	9600	0.0140
HK2016	20	26	16	10160	16080	9600	0.0190
HK2016 2RS	20	26	16	6880	9680	6800	0.0180
HK2020	20	26	20	12560	20800	9600	0.0240
HK2020 2RS	20	26	20	10160	16080	6800	0.0230
HK2210	22	28	10	6000	8400	8800	0.0130
HK2212	22	28	12	7280	10720	8800	0.0150
HK2216	22	28	16	10720	17680	8800	0.0210
HK2216 2RS	22	28	16	7280	10720	6400	0.0180
HK2220	22	28	20	13200	23200	8800	0.0260
HK2220 2RS	22	28	20	10120	17680	6400	0.0260
HK2512	25	32	12	8800	12160	8000	0.0200
HK2516	25	32	16	12480	19200	8000	0.0270
HK2516 2RS	25	32	16	8800	12160	5600	0.0270
HK2520	25	32	20	15920	26400	8000	0.0330
HK2520 2RS	25	32	20	12480	19200	5600	0.0310
HK2524 2RS	25	32	24	15920	26400	5600	0.0400
HK2526	25	32	26	20400	36000	8000	0.0440
HK2530 2RS	25	32	30	20400	36000	5600	0.0470
HK2816	28	35	16	13120	21200	7200	0.0290
HK2820	28	35	20	16720	28800	7200	0.0360
HK2820 2RS	28	35	20	13120	21200	4800	0.0340
HK3012	30	37	12	9680	14560	6800	0.0230
HK3016	30	37	16	13760	23200	6800	0.0310
HK3016 2RS	30	37	16	9680	14560	4800	0.0310
HK3020	30	37	20	17600	31600	6800	0.0390
HK3020 2RS	30	37	20	13760	23200	4800	0.0360
HK3024 2RS	30	37	24	17600	31600	4800	0.0440
HK3026	30	37	26	22400	43200	6800	0.0510
HK3512	35	42	12	10480	17040	6000	0.0270
HK3516	35	42	16	14960	26800	6000	0.0360
HK3516 2RS	35	42	16	10480	17040	4000	0.0320
HK3520	35	42	20	19040	36800	6000	0.0440
HK3520 2RS	35	42	20	14960	26800	4000	0.0410
HK4012	40	47	12	11200	19440	5200	0.0300
HK4016	40	47	16	16000	30800	5200	0.0390
HK4016 2RS	40	47	16	11200	19440	3600	0.0370
HK4020	40	47	20	20400	41600	5200	0.0540
HK4020 2RS	40	47	20	16000	30800	3600	0.0480
HK4512	45	52	12	11920	22000	4800	0.0330
HK4516	45	52	16	17040	34400	4800	0.0460
HK4520	45	52	20	21600	47200	4800	0.0560
HK4520 2RS	45	52	20	17040	34400	3600	0.0540
HK5020	50	58	20	24800	50400	4000	0.0700
HK5024 2RS	50	58	24	24800	50400	2880	0.0810
HK5025	50	58	25	30800	67200	4000	0.0900
HK5520	55	63	20	25200	53600	3760	0.0740
HK5528	55	63	28	35200	82400	3760	0.1050
HK6012	60	68	12	13920	25600	3520	0.0490
HK6020	60	68	20	26800	60000	3520	0.0810
HK6032	60	68	32	42400	108000	3520	0.1360



K



KK

ISO	Dimensions (mm)			Basic Load Rating (N)		Limiting speed (r/min)	Weight (kg)
	Fw	Ew	Bc	Dyn. C	Stat. C <sub>0</sub>		
K3X5X7	3	5	7	1232	1032	40000	0.0003
K3X5X9	3	5	9	1368	1184	40000	0.0004
K3X6X7	3	6	7	1144	776	37600	0.0004
K4X7X7	4	7	7	1392	1016	34400	0.0005
K4X7X10	4	7	10	1864	1472	34400	0.0007
K5X8X8	5	8	8	1880	1536	31200	0.0007
K5X8X10	5	8	10	2400	2120	31200	0.0009
K6X9X8	6	9	8	2080	1824	29600	0.0008
K6X9X10	6	9	10	2680	2520	29600	0.0011
K6X10X13	6	10	13	3040	2480	28000	0.0019
K7X9X7	7	9	7	1384	1416	28000	0.0006
K7X10X8	7	10	8	2280	2120	27200	0.0017
K8X11X8	8	11	8	2480	2400	25600	0.0018
K8X11X10	8	11	10	3160	3280	25600	0.0020
K8X11X13	8	11	13	4080	4640	25600	0.0032
K8X12X10	8	12	10	4000	3760	25600	0.0035
K9X12X10	9	12	10	3600	4000	24800	0.0029
K9X12X13	9	12	13	4720	5680	24800	0.0038
K10X13X10	10	13	10	3800	4400	23200	0.0032
K10X13X13	10	13	13	4960	6240	23200	0.0041
K10X13X16	10	13	16	5680	7440	23200	0.0051
K10X14X10	10	14	10	4640	4800	23200	0.0041
K10X16X12	10	16	12	6480	5760	22400	0.0081
K12X15X10	12	15	10	3920	4880	21600	0.0035
K12X15X13	12	15	13	5120	6800	21600	0.0045
K12X16X13	12	16	13	6400	7520	21600	0.0063
K12X17X13	12	17	13	7680	8320	20800	0.0081
K12X18X12	12	18	12	8000	7920	20800	0.0093
K14X18X10	14	18	10	5680	6800	20000	0.0040
K14X18X13	14	18	13	6560	8080	20000	0.0065
K14X18X15	14	18	15	7600	9840	20000	0.0083
K14X18X17	14	18	17	8640	11520	20000	0.0080
K14X20X12	14	20	12	8240	8480	19200	0.0085
K15X18X17	15	18	17	6400	9680	20000	0.0072
K15X19X10	15	19	10	6000	7360	19200	0.0050
K15X19X13	15	19	13	6800	8720	19200	0.0070
K15X19X17	15	19	17	9040	12480	19200	0.0095
K15X20X13	15	20	13	7920	9200	19200	0.0070
K15X21X15	15	21	15	11440	13120	19200	0.0110
K15X21X21	15	21	21	15520	19440	19200	0.0170
K16X20X10	16	20	10	6240	7920	19200	0.0055
K16X20X13	16	20	13	7120	9440	19200	0.0075
K16X20X17	16	20	17	9360	13440	19200	0.0100

ISO	Dimensions (mm)			Basic Load Rating (N)		Limiting speed (r/min)	Weight (kg)
	Fw	Ew	Bc	Dyn. C	Stat. C <sub>0</sub>		
K16X22X12	16	22	12	9200	10000	18400	0.0100
K16X22X16	16	22	16	11840	14000	18400	0.0120
K16X22X20	16	22	20	14640	18240	18400	0.0170
K16X24X20	16	24	20	17120	18800	17600	0.0220
K17X21X10	17	21	10	6480	8480	18400	0.0055
K17X21X13	17	21	13	8320	11680	18400	0.0065
K17X21X17	17	21	17	9760	14320	18400	0.0095
K18X22X10	18	22	10	6720	9040	17600	0.0060
K18X22X13	18	22	13	7360	10160	17600	0.0080
K18X22X17	18	22	17	9680	14400	17600	0.0110
K18X24X12	18	24	12	10240	11920	17600	0.0120
K18X24X13	18	24	13	10480	12240	17600	0.0130
K18X25X22	18	25	22	18480	23200	17600	0.0230
K19X23X13	19	23	13	7600	10800	17600	0.0080
K19X23X17	19	23	17	10000	15360	17600	0.0110
K20X24X10	20	24	10	7120	10080	16800	0.0065
K20X24X13	20	24	13	7840	11440	16800	0.0090
K20X24X17	20	24	17	10320	16320	16800	0.0120
K20X26X12	20	26	12	10720	12960	16800	0.0110
K20X26X13	20	26	13	11520	14320	16800	0.0120
K20X26X17	20	26	17	15360	20800	16800	0.0160
K20X26X20	20	26	20	16880	23200	16800	0.0190
K20X28X16	20	28	16	15840	17920	16000	0.0200
K20X28X20	20	28	20	19120	22800	16000	0.0270
K20X28X25	20	28	25	24400	31200	16000	0.0320
K20X30X30	20	30	30	28400	33200	16000	0.0490
K21X25X13	21	25	13	8080	12080	16800	0.0090
K22X26X10	22	26	10	7280	10720	16000	0.0075
K22X26X13	22	26	13	8320	12720	16000	0.0095
K22X26X17	22	26	17	10960	18160	16000	0.0120
K22X28X17	22	28	17	15520	21600	16000	0.0180
K22X29X16	22	29	16	16000	20400	15200	0.0160
K22X30X15	22	30	15	16080	18720	15200	0.0260
K22X32X24	22	32	24	27200	32000	14400	0.0430
K23X35X16	23	35	16	19600	19120	13600	0.0450
K24X28X10	24	28	10	7680	11840	15200	0.0085
K24X28X13	24	28	13	8800	14080	15200	0.0100
K24X28X17	24	28	17	11600	20000	15200	0.0130
K24X30X17	24	30	17	15600	22000	14400	0.0190
K24X30X31	24	30	31	22000	34800	14400	0.0320
K25X29X10	25	29	10	7920	12320	14400	0.0085
K25X29X13	25	29	13	9040	14720	14400	0.0110
K25X29X17	25	29	17	11920	20800	14400	0.0140
K25X30X17	25	30	17	14960	24000	14000	0.0160
K25X30X20	25	30	20	17360	29200	14400	0.0180
K25X30X26	25	30	26	17120	28400	14400	0.0190
K25X31X17	25	31	17	15680	22800	14400	0.0190
K25X31X21	25	31	21	19760	30400	14400	0.0200
K25X32X16	25	32	16	16640	22000	13600	0.0210
K25X33X20	25	33	20	22800	30400	13600	0.0330
K25X33X24	25	33	24	27200	37600	13600	0.0390
K25X35X30	25	35	30	37600	49600	12800	0.0650
K26X30X13	26	30	13	9280	15360	14400	0.0110
K26X30X17	26	30	17	12160	22000	14400	0.0150
K26X30X22	26	30	22	12560	22800	14400	0.0120
K28X33X13	28	33	13	12240	19360	12800	0.0130
K28X33X17	28	33	17	15760	26800	12800	0.0170
K28X34X17	28	34	17	17440	26800	12800	0.0240
K28X35X16	28	35	16	17200	23600	12800	0.0240

ISO	Dimensions (mm)			Basic Load Rating (N)		Limiting speed (r/min)	Weight (kg)
	Fw	Ew	Bc	Dyn. C	Stat. C <sub>0</sub>		
K28X35X18	28	35	18	19200	27200	12800	0.0270
K28X40X25	28	40	25	36400	44000	11200	0.0700
K30X34X13	30	34	13	9840	17360	12000	0.0140
K30X35X13	30	35	13	12480	20400	12000	0.0140
K30X35X17	30	35	17	15680	27200	12000	0.0190
K30X35X27	30	35	27	24400	47200	12000	0.0300
K30X37X16	30	37	16	18480	26800	12000	0.0270
K30X37X18	30	37	18	20800	30800	12000	0.0300
K30X40X18	30	40	18	25600	32000	11200	0.0480
K30X40X30	30	40	30	39200	55200	12000	0.0730
K32X37X13	32	37	13	12400	20400	11200	0.0180
K32X37X17	32	37	17	15920	28400	11200	0.0190
K32X37X27	32	37	27	24000	48000	11200	0.0300
K32X38X20	32	38	20	21200	36000	11200	0.0300
K32X39X16	32	39	16	19040	28400	11200	0.0370
K32X39X18	32	39	18	21200	32800	11200	0.0310
K32X40X25	32	40	25	30000	46400	11200	0.0490
K32X40X42	32	40	42	40000	67200	11200	0.0970
K32X46X32	32	46	32	52800	67200	10400	0.1190
K35X40X13	35	40	13	12960	22400	10400	0.0190
K35X40X17	35	40	17	16640	30800	10400	0.0210
K35X40X25	35	40	25	23600	48000	10400	0.0310
K35X40X27	35	40	27	20000	38800	10400	0.0410
K35X42X16	35	42	16	19520	30000	10400	0.0340
K35X42X18	35	42	18	22000	34400	10400	0.0340
K35X42X20	35	42	20	24000	39200	10400	0.0370
K35X42X30	35	42	30	31200	54400	10400	0.0670
K35X45X20	35	45	20	29600	40000	9600	0.0560
K35X45X30	35	45	30	42400	63200	9600	0.0800
K37X42X17	37	42	17	17920	34400	9600	0.0220
K38X43X17	38	43	17	16400	30800	9600	0.0290
K38X43X27	38	43	27	25200	54400	9600	0.0430
K38X46X20	38	46	20	28400	45600	9600	0.0470
K38X46X32	38	46	32	44000	79200	9600	0.0760
K39X44X26	39	44	26	22000	44800	9600	0.0450
K40X45X13	40	45	13	14080	26000	9600	0.0220
K40X45X17	40	45	17	17120	33200	9600	0.0310
K40X45X27	40	45	27	26400	58400	9600	0.0460
K40X47X18	40	47	18	23600	40000	8800	0.0390
K40X47X20	40	47	20	26000	45600	8800	0.0420
K40X48X20	40	48	20	28800	47200	8800	0.0490
K42X47X13	42	47	13	14240	26800	8800	0.0180
K42X47X17	42	47	17	17360	34400	8800	0.0320
K42X47X30	42	47	30	26800	60800	8800	0.0540
K42X50X20	42	50	20	28000	45600	8800	0.0530
K43X48X17	43	48	17	17280	34400	8800	0.0300
K43X48X27	43	48	27	26800	60000	8800	0.0500
K45X50X17	45	50	17	18000	36800	8000	0.0340
K45X50X27	45	50	27	27600	64000	8000	0.0510
K45X52X18	45	52	18	25200	45600	8000	0.0420
K45X53X20	45	53	20	31200	53600	8000	0.0550
K45X53X21	45	53	21	30800	53600	8000	0.0600
K45X53X28	45	53	28	41600	78400	8000	0.0810
K45X59X18	45	59	18	35200	43200	7600	0.1050
K45X59X32	45	59	32	58400	82400	7600	0.1480
K47X52X17	47	52	17	18640	39200	8000	0.0350
K47X52X27	47	52	27	28000	66400	8000	0.0510
K50X55X13.5	50	55	13.5	14560	29200	7600	0.0300
K50X55X17	50	55	17	17680	37600	7600	0.0350

ISO	Dimensions (mm)			Basic Load Rating (N)		Limiting speed (r/min)	Weight (kg)
	Fw	Ew	Bc	Dyn. C	Stat. C <sub>0</sub>		
K50X55X20	50	55	20	21200	48000	7600	0.0430
K50X55X30	50	55	30	31200	77600	7600	0.0650
K50X57X18	50	57	18	26800	50400	7200	0.0470
K50X58X20	50	58	20	28400	49600	7200	0.0750
K50X58X25	50	58	25	35200	64800	7200	0.0900
K52X57X12	52	57	12	14400	29200	7200	0.0240
K55X60X20	55	60	20	22800	52800	6800	0.0400
K55X60X27	55	60	27	30400	77600	6800	0.0600
K55X60X30	55	60	30	32800	86400	6800	0.0710
K55X62X18	55	62	18	28400	56000	6800	0.0520
K55X63X20	55	63	20	32000	59200	6800	0.0670
K55X63X25	55	63	25	40800	80800	6800	0.0800
K55X63X32	55	63	32	49600	104000	6800	0.1020
K58X65X18	58	65	18	28000	56000	6400	0.0520
K58X65X36	58	65	36	85600	10720	6400	0.1270
K60X65X20	60	65	20	23600	57600	6400	0.0520
K60X65X30	60	65	30	34000	92800	6400	0.0770
K60X66X33	60	66	33	36800	89600	6400	0.1040
K60X66X40	60	66	40	46400	120800	6400	0.1160
K60X68X20	60	68	20	34800	68000	6000	0.0710
K60X68X23	60	68	23	39600	80800	6000	0.0940
K60X68X25	60	68	25	42400	88800	6000	0.0890
K60X68X30	60	68	30	35600	70400	6000	0.1290
K60X75X42	60	75	42	94400	159200	6000	0.2400
K62X70X40	62	70	40	52800	116800	6000	0.1740
K64X70X16	64	70	16	22400	48000	6000	0.0530
K65X70X20	65	70	20	24400	61600	6000	0.0560
K65X70X30	65	70	30	35200	99200	6000	0.0830
K65X73X23	65	73	23	36800	75200	5600	0.1080
K65X73X30	65	73	30	45600	98400	5600	0.1410
K68X74X20	68	74	20	28400	67200	5600	0.0710
K68X74X30	68	74	30	37200	94400	5600	0.1000
K68X74X35	68	74	35	38800	100000	5600	0.1200
K70X76X20	70	76	20	28800	68800	5200	0.0710
K70X76X30	70	76	30	41600	111200	5200	0.1100
K70X78X30	70	78	30	48000	108000	5200	0.1480
K72X80X20	72	80	20	33200	68000	5200	0.0980
K73X79X20	73	79	20	29600	72000	5200	0.0750
K75X81X20	75	81	20	30000	75200	5200	0.0790
K75X81X30	75	81	30	41600	114400	5200	0.1140
K75X83X23	75	83	23	40000	87200	4800	0.1240
K75X83X30	75	83	30	49600	114400	4800	0.1470
K75X83X35	75	83	35	50400	117600	4800	0.1820
K75X83X40	75	83	40	58400	141600	4800	0.2110
K80X86X20	80	86	20	30800	78400	4800	0.0600
K80X88X30	80	88	30	56800	140800	4800	0.1380
K80X88X40	80	88	40	60800	153600	4800	0.2270
K80X88X46	80	88	46	70400	184800	4800	0.2600
K85X92X20	85	92	20	35600	86400	4400	0.1020
K90X97X20	90	97	20	36000	90400	4000	0.1090
K90X98X27	90	98	27	48800	120000	4000	0.1500
K90X98X30	90	98	30	54400	137600	4000	0.1720
K95X103X30	95	103	30	55200	144000	3920	0.1650
K95X103X40	95	103	40	66400	182400	3920	0.2660
K100X107X21	100	107	21	38400	101600	3760	0.1200
K100X108X27	100	108	27	45600	114400	3760	0.1850
K100X108X30	100	108	30	56800	150400	3760	0.1800
K105X112X21	105	112	21	38000	101600	3600	0.1290
K110X117X24	110	117	24	44800	126400	3440	0.1720

ISO	Dimensions (mm)			Basic Load Rating (N)		Limiting speed (r/min)	Weight (kg)
	Fw	Ew	Bc	Dyn. C	Stat. C <sub>0</sub>		
K110X118X30	110	118	30	62400	175200	3440	0.2170
K115X123X27	115	123	27	50400	136000	3280	0.2000
K120X127X24	120	127	24	47200	139200	3200	0.1650
K125X133X35	125	133	35	68800	208000	3040	0.2750
K130X137X24	130	137	24	48800	148800	2960	0.1700
K135X143X35	135	143	35	72800	232000	2800	0.3000
K145X153X26	145	153	26	59200	204000	2640	0.2620
K150X160X46	150	160	46	117600	376000	2560	0.5700
K155X163X26	155	163	26	60000	188800	2480	0.2650
K160X170X46	160	170	46	121600	408000	2400	0.5500
K165X173X26	165	173	26	64800	212000	2320	0.3200
K175X183X32	175	183	32	79200	280000	2160	0.4000
K185X195X37	185	195	37	102400	340000	2080	0.6070
K195X205X37	195	205	37	106400	360000	2000	0.6200
K210X220X42	210	220	42	123200	448000	1840	0.7400
K220X230X42	220	230	42	126400	472000	1760	0.7900
K240X250X42	240	250	42	131200	504000	1600	0.8500
K265X280X50	265	280	50	204000	688000	1440	1.8100

# KEILRIEMEN.AT